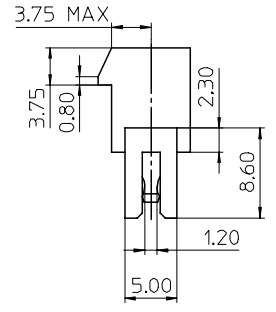
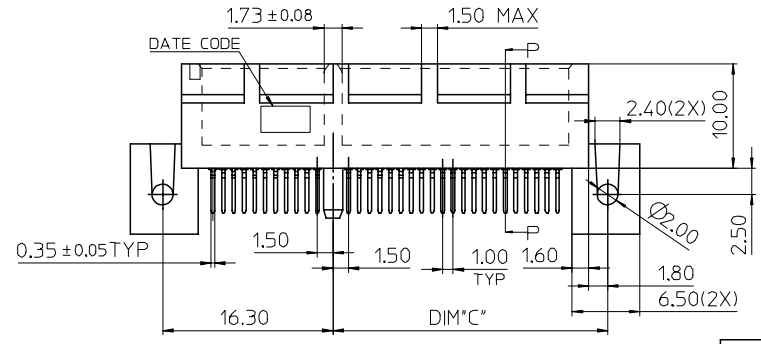
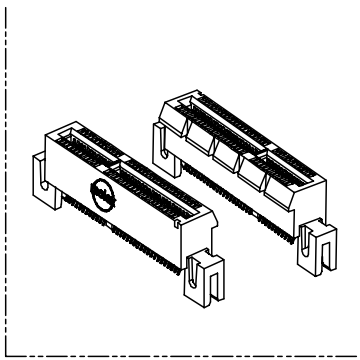
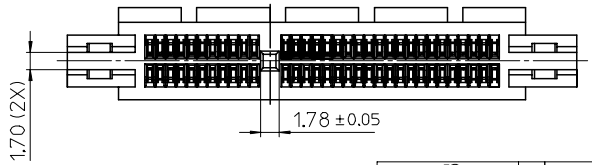


DIM "D"	PCB THK (REF)
4.10	1.57



- NOTES:
- MATERIAL:
HOUSING: NYLON 46 .GLASS FIBER FILLED UL94V-0, COLOR:BLACK
CONTACT: PHOSPHOR BRONZE.
 - PLATING:
CONTACT AREA: SEE TABLE
SOLDER TAIL: 100 MICRINCH MINIMUM TIN
UNDER PLATING: NICKEL OVERALL
 - DATE CODE: X X X X C
 WEEK (1~52)
 YEAR (05 : 2005)
 - PRODUCT SPECIFICATION REFER TO PS-48248-001.
 - PACKAGING SPECIFICATION REFER TO PK-48248-001.
 - TEST SUMMARY:REFER TO TS-848248-001.
 - LEAD-FREE AND ROHS COMPLIANCE PRODUCT



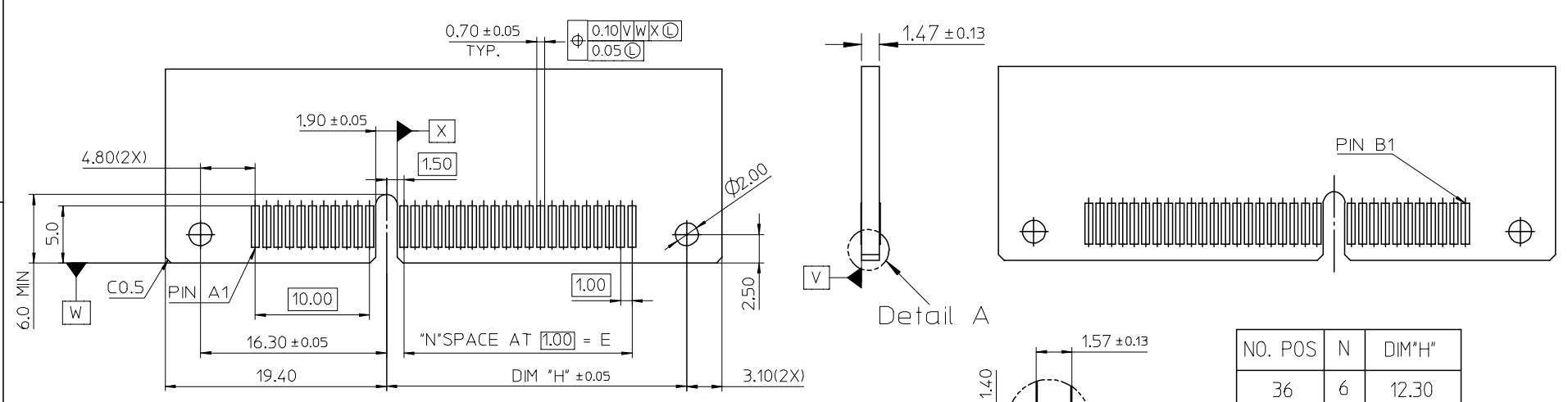
CONNECTOR LINK WIDTH	# POS REF	N	DIM "A"	DIM "B"	DIM "C"	DIM "E"
X1	36	6	7.65	25.00	12.30	6.00
X4	64	20	21.65	39.00	26.30	20.00
X8	98	37	38.65	56.00	43.30	37.00
X16	164	70	71.65	89.00	76.30	70.00

E
D
C
B
A

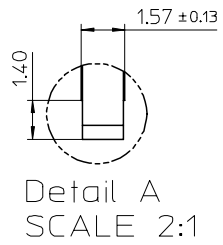
E
D
C
B
A

REVISED DRAWING EC NO: SH2006-0742 DRWN:ALL IN 2006/05/18 CHKD: 2006/05/18 APPR:WWSCHANG 2006/05/29	QUALITY SYMBOLS ▽=0 ◻=0	GENERAL TOLERANCES (UNLESS SPECIFIED)		DIMENSION STYLE MM ONLY		SCALE	DESIGN UNITS METRIC	THIRD ANGLE PROJECTION	
			mm	INCH	DRAWN BY KEN LEE	DATE 2005/09/26	TITLE PCI EXPRESS RIGHT ANGLE STRADDLE SOCKET (LEAD FREE VERSION)		
		4 PLACES ± ---	± ---	± ---	CHECKED BY ALL IN	DATE 2005/09/27			
		3 PLACES ± ---	± ---	± ---	APPROVED BY WWSCHANG	DATE 2005/09/27			
			ANGULAR ± 3 °		MATERIAL NO. SEE TABLE	DOCUMENT NO. SD-48248-001		SHEET NO. 1 OF 4	
			DRAFT WHERE APPLICABLE MUST REMAIN WITHIN DIMENSIONS		SIZE A4	THIS DRAWING CONTAINS INFORMATION THAT IS PROPRIETARY TO MOLEX INCORPORATED AND SHOULD NOT BE USED WITHOUT WRITTEN PERMISSION			

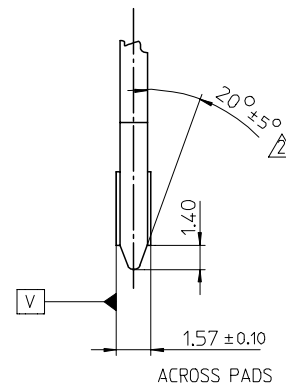
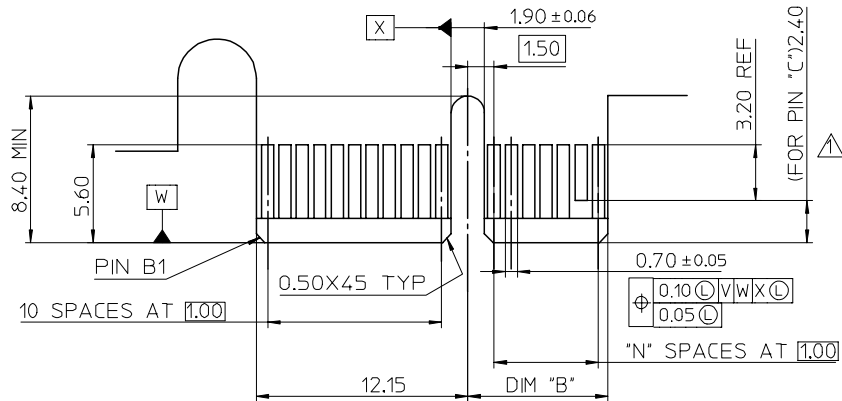
RECOMMEND OF PCB DIMENSIONS



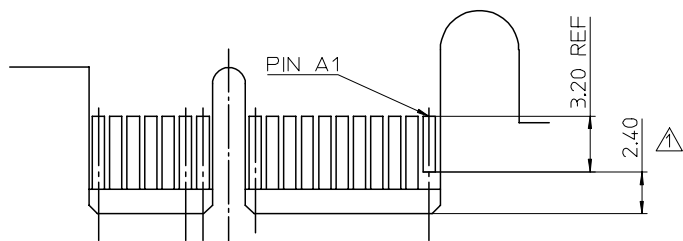
NO. POS	N	DIM"H"
36	6	12.30
54	20	26.30
98	37	43.30
164	70	76.30



SEE SHEET 1 EC NO: SH2006-0742 DRWN: ALL IN CHKD: APPR: WWSCHANG	DESCRIPTION 2006/05/18 2006/05/18 2006/05/29	QUALITY SYMBOLS	GENERAL TOLERANCES (UNLESS SPECIFIED)	DIMENSION STYLE	SCALE	DESIGN UNITS	THIRD ANGLE PROJECTION	
		▽=0 □=0	mm INCH 4 PLACES ± --- ± --- 3 PLACES ± --- ± --- 2 PLACES ± 0.25 ± --- 1 PLACE ± 0.25 ± --- ANGULAR ± 3 °	MM ONLY	1:1	METRIC	DRAWN BY DATE KEN LEE 2005/09/26 CHECKED BY DATE ALL IN 2005/09/27 APPROVED BY DATE WWSCHANG 2005/09/27	TITLE PCI EXPRESS RIGHT ANGLE STRADDLE SOCKET (LEAD FREE VERSION)
		DRAFT WHERE APPLICABLE MUST REMAIN WITHIN DIMENSIONS	SEE TABLE	MOLEX INCORPORATED DOCUMENT NO. SD-48248-001 SHEET NO. 2 OF 4				
		SIZE A4	THIS DRAWING CONTAINS INFORMATION THAT IS PROPRIETARY TO MOLEX INCORPORATED AND SHOULD NOT BE USED WITHOUT WRITTEN PERMISSION					



← I/O PANEL DIRECTION
PRIMARY (COMPONENT) SIDE



I/O PANEL DIRECTION →
SECONDARY (SOLDER) SIDE

- △ NO TIE BAR PERMITTED FROM CARD EDGE TO LEADING EDGE OF PAD FOR PINS A1 AND "C".
- △ CHAMFER EDGES MUST BE FREE OF CUTTING BURRS.
- △ TOLERANCE: .XX ± .13

CONNECTOR LINK WIDTH	# POS REF	N	DIM 'B'	'C' △
X1	36	6	8.15	B17
X4	64	20	22.15	B17, B31
X8	98	37	39.15	B17, B31 B48
X16	164	70	72.15	B17, B31 B48, B81

SEE SHEET 1 EC NO: SH2006-0742 DRWN: ALL IN CHKD: APPR: WWSCHANG	2006/05/18 2006/05/18 2006/05/29	QUALITY SYMBOLS	GENERAL TOLERANCES (UNLESS SPECIFIED)		DIMENSION STYLE MM ONLY		SCALE 1:1	DESIGN UNITS METRIC	THIRD ANGLE PROJECTION	
		▽=0	mm	INCH	DRAWN BY KEN LEE	DATE 2005/09/26	TITLE PCI EXPRESS RIGHT ANGLE STRADDLE SOCKET (LEAD FREE VERSION)			
		◻=0	4 PLACES ± ---	± ---	CHECKED BY ALL IN	DATE 2005/09/27				
			3 PLACES ± ---	± ---	APPROVED BY WWSCHANG	DATE 2005/09/27	MOLEX INCORPORATED			
			2 PLACES ± 0.25	± ---	MATERIAL NO.	DOCUMENT NO.	SHEET NO.			
	1 PLACE ± 0.25	± ---	DRAFT WHERE APPLICABLE MUST REMAIN WITHIN DIMENSIONS		SEE TABLE		SD-48248-001		3 OF 4	
			ANGULAR ± 3 °		THIS DRAWING CONTAINS INFORMATION THAT IS PROPRIETARY TO MOLEX INCORPORATED AND SHOULD NOT BE USED WITHOUT WRITTEN PERMISSION					

7 6 5 4 3 2 1

E

E

D

D

C

C

B

B

A

A



MOLEX P/N	CKT	CONTACT PLATING
48248-0001	36	GOLD FLASH
48248-0002		15 MICROINCH
48248-0003		30 MICROINCH
48248-0101	64	GOLD FLASH
48248-0102		15 MICROINCH
48248-0103		30 MICROINCH
48248-0201	98	GOLD FLASH
48248-0202		15 MICROINCH
48248-0203		30 MICROINCH
48248-0301	164	GOLD FLASH
48248-0302		15 MICROINCH
48248-0303		30 MICROINCH

SEE SHEET 1 EC NO: SH2006-0742 DRWN: ALL IN CHKD: APPR: WWSCHANG	2006/05/18 2006/05/18 2006/05/29	DESCRIPTION REV	QUALITY SYMBOLS	GENERAL TOLERANCES (UNLESS SPECIFIED)	DIMENSION STYLE	SCALE	DESIGN UNITS	THIRD ANGLE PROJECTION	
			$\blacktriangledown = 0$ $\triangleleft = 0$	mm INCH 4 PLACES \pm --- \pm --- 3 PLACES \pm --- \pm --- 2 PLACES ± 0.25 \pm --- 1 PLACE ± 0.25 \pm --- ANGULAR $\pm 3^\circ$	MM ONLY	1:1	METRIC	DRAWN BY DATE KEN LEE 2005/09/26 CHECKED BY DATE ALL IN 2005/09/27 APPROVED BY DATE WWSCHANG 2005/09/27	TITLE PCI EXPRESS RIGHT ANGLE STRADDLE SOCKET (LEAD FREE VERSION)
				DRAFT WHERE APPLICABLE MUST REMAIN WITHIN DIMENSIONS	SEE TABLE	MATERIAL NO. SEE TABLE	DOCUMENT NO. SD-48248-001	SHEET NO. 4 OF 4	
					SIZE A4	THIS DRAWING CONTAINS INFORMATION THAT IS PROPRIETARY TO MOLEX INCORPORATED AND SHOULD NOT BE USED WITHOUT WRITTEN PERMISSION			

6 5 4 3 2 1