

4

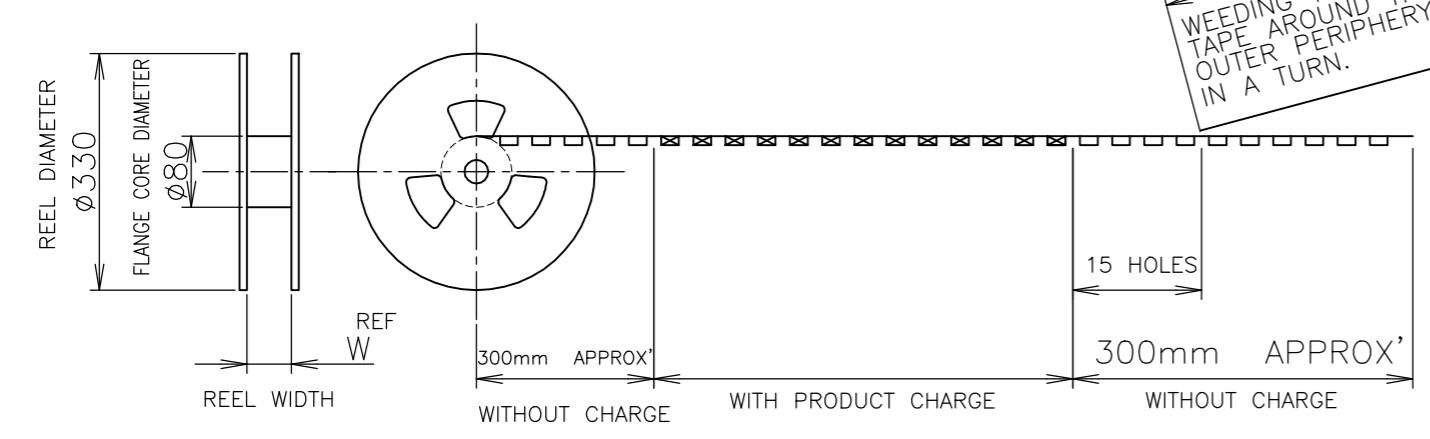
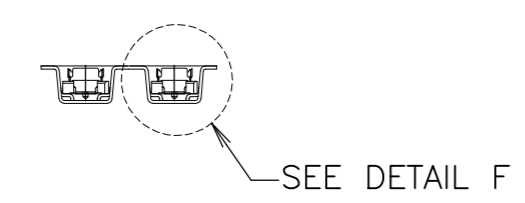
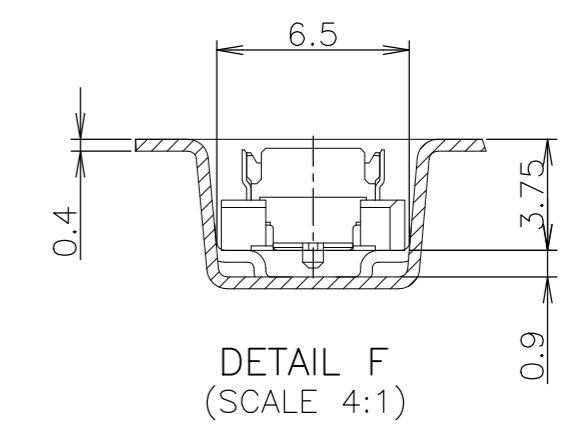
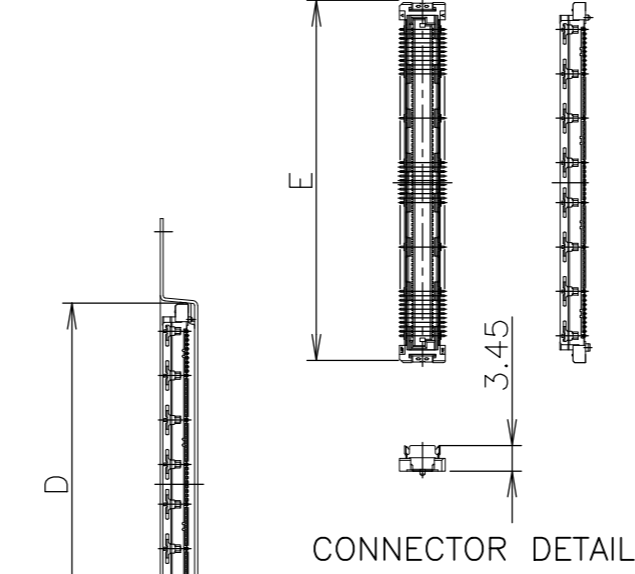
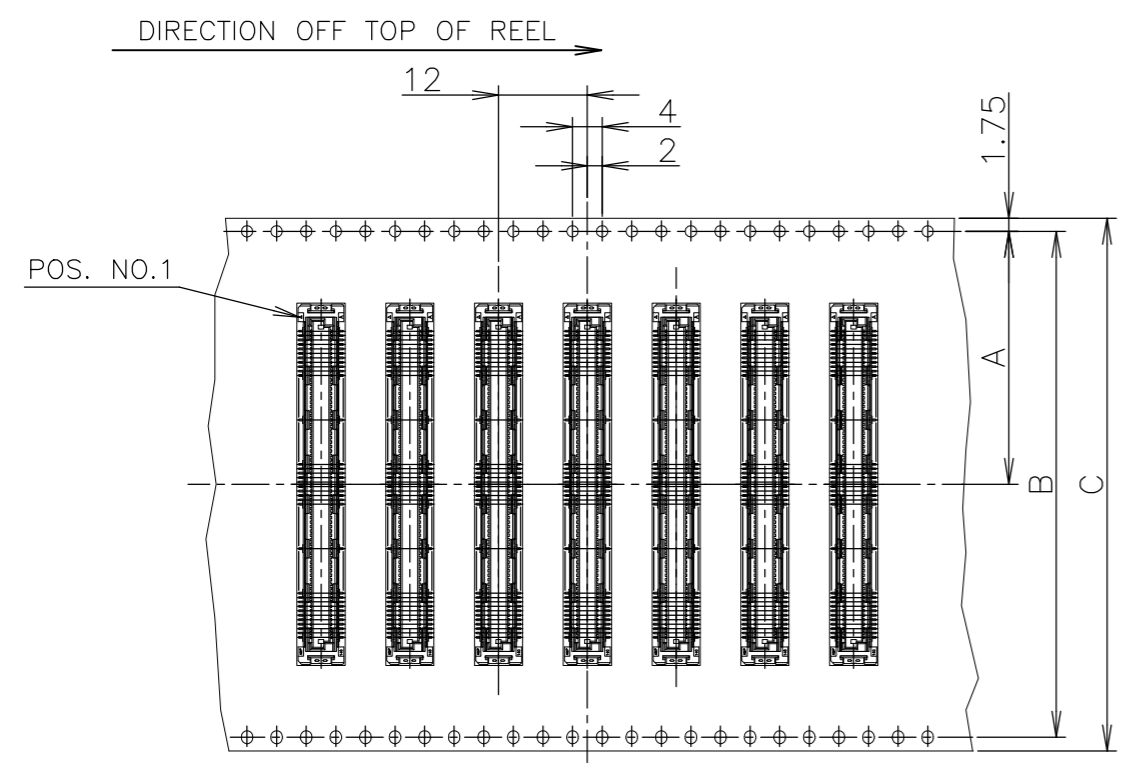
3

2

1

THIS DRAWING IS UNPUBLISHED. RELEASED FOR PUBLICATION FEB ,1995.  
 © COPYRIGHT 1995 By - ALL RIGHTS RESERVED.

LOC	DIST	REVISIONS					
J		P	LTR	DESCRIPTION	DATE	DWN	APVD
		D		PER REVISED ECO-18-004710	22MAR2018	R.L	H.L



WEEDING THE COVER TAPE AROUND THE OUTER PERIPHERY IN A TURN.

SEALANT	TOOLING STATUS	QTY.	FINISH	W	E	D	C	B	A	POS.	PART NO.
				W	E	D	C	B	A	POS.	PART NO.
SEALANT	NOT AVAILABLE	1000	△	77.5	54.7	55	72	68.4	34.2	160	6-5353184-1
	AVAILABLE		△	77.5	48.7	49	72	68.4	34.2	140	6- - -0
	NOT AVAILABLE			61.5	42.7	43	56	52.4	26.2	120	5- - -9
				61.5	36.7	37	56	52.4	26.2	100	5- - -8
				61.5	33.7	34	56	52.4	26.2	90	5- - -7
	NOT AVAILABLE			49.5	30.7	31	44	40.4	20.2	80	5- - -6
	NOT AVAILABLE			49.5	27.7	28	44	40.4	20.2	70	5- - -5
	NOT AVAILABLE			49.5	24.7	25	44	40.4	20.2	60	5- - -4
	AVAILABLE			37.5	21.7	22	32	28.4	14.2	50	5- - -3
	NOT AVAILABLE			37.5	18.7	19	32	28.4	14.2	40	5- - -2
NOT AVAILABLE	1000		△	29.5	15.7	16	24	11.5	30	5-5353184-1	
NON SEALANT	AVAILABLE	1000	△	77.5	48.7	49	72	68.4	34.2	140	4-5353184-0
	AVAILABLE		△	61.5	36.7	37	56	52.4	26.2	100	3- - -8
	NOT AVAILABLE		△	77.5	54.7	55	72	68.4	34.2	160	1- - -1
	AVAILABLE			77.5	48.7	49	72	68.4	34.2	140	1- - -0
	NOT AVAILABLE			61.5	42.7	43	56	52.4	26.2	120	- - -9
	AVAILABLE			61.5	36.7	37	56	52.4	26.2	100	- - -8
	NOT AVAILABLE			61.5	33.7	34	56	52.4	26.2	90	- - -7
	NOT AVAILABLE			49.5	30.7	31	44	40.4	20.2	80	- - -6
	AVAILABLE			49.5	27.7	28	44	40.4	20.2	70	- - -5
	NOT AVAILABLE			49.5	24.7	25	44	40.4	20.2	60	- - -4
AVAILABLE			37.5	21.7	22	32	28.4	14.2	50	- - -3	
NOT AVAILABLE			37.5	18.7	19	32	28.4	14.2	40	- - -2	
NOT AVAILABLE	1000		△	29.5	15.7	16	24	11.5	30	5353184-1	

THIS DRAWING IS A CONTROLLED DOCUMENT.

DWN HAWKING HE 08DEC04  
 CHK STEVEN YAO 08DEC04  
 APVD I.ENOMOTO 08DEC04

NAME: I.ENOMOTO  
 PRODUCT SPEC: 108-60047  
 APPLICATION SPEC: 114-5255

WEIGHT: -

CUSTOMER DRAWING

**STE** TE Connectivity

EMBOSS ASSY  
 FH 0.6BTB CONNECTOR  
 PLUG 4H WITH G-PLATE

SIZE: A3 CAGE CODE: 00779 DRAWING NO: 5353184 RESTRICTED TO: -

SCALE: 1:1 SHEET: 1 OF 3 REV: D

4

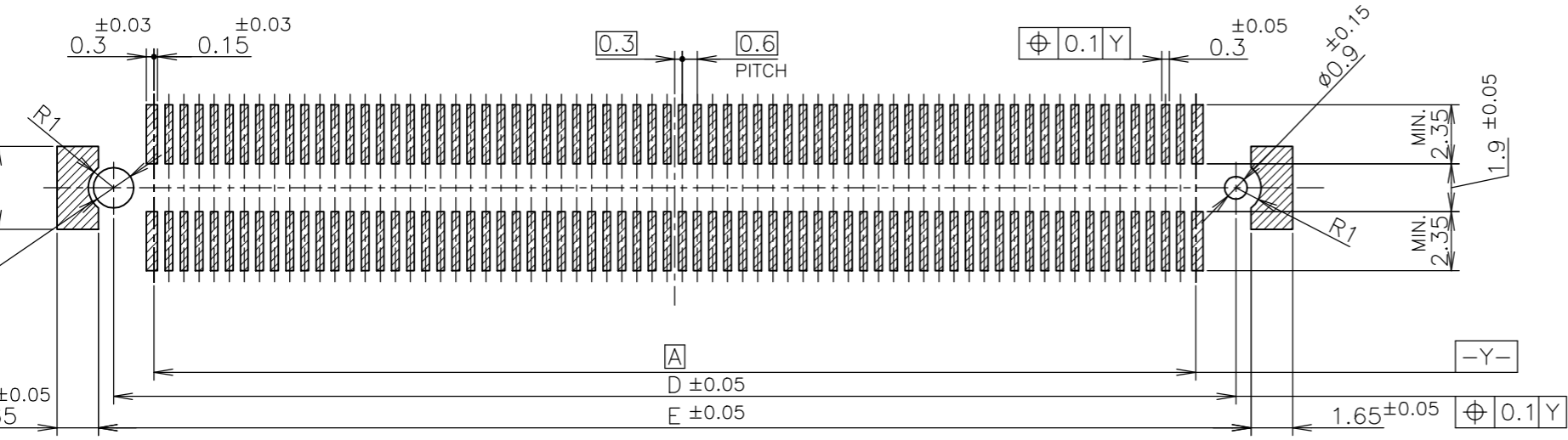
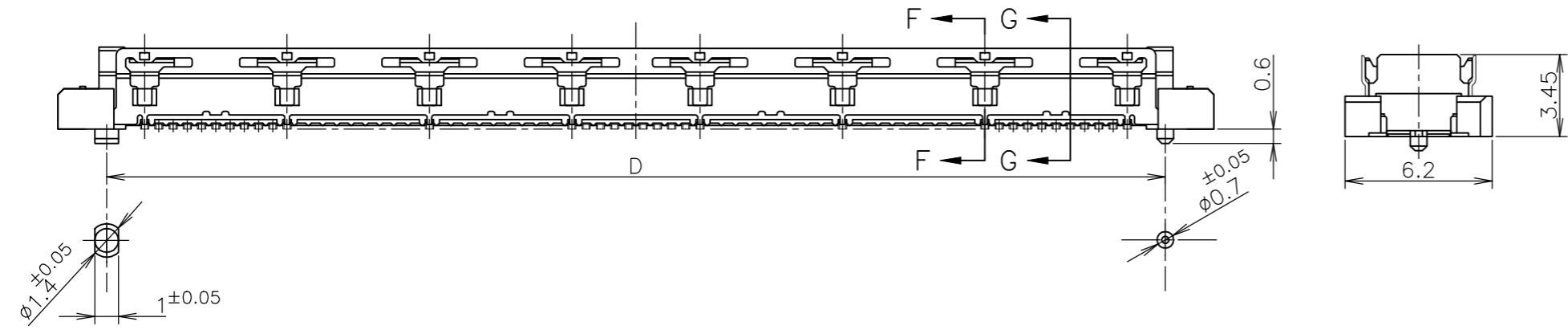
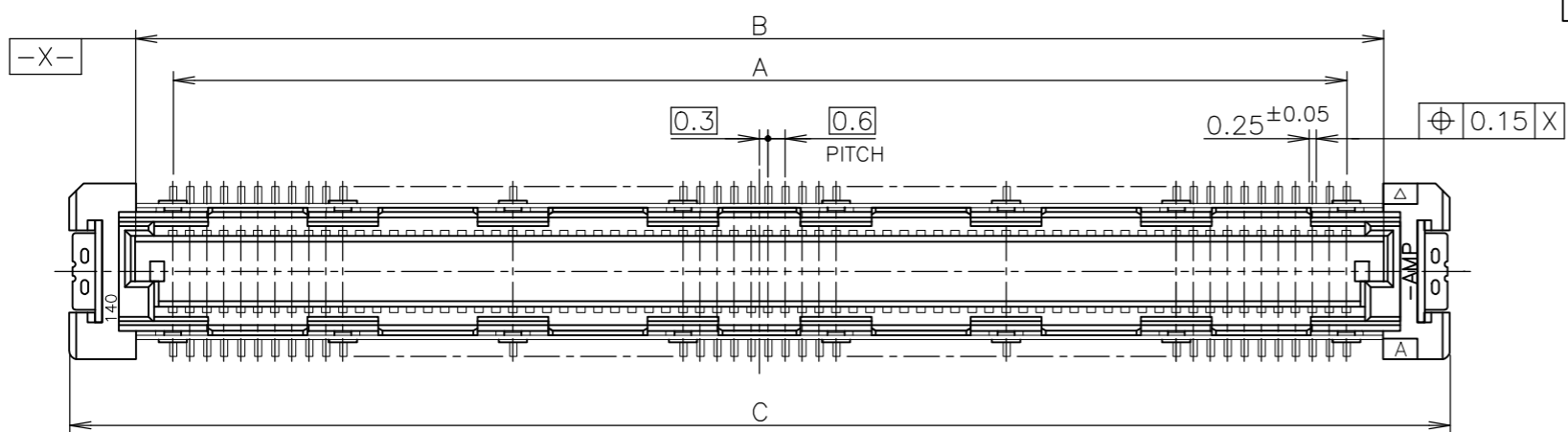
3

2

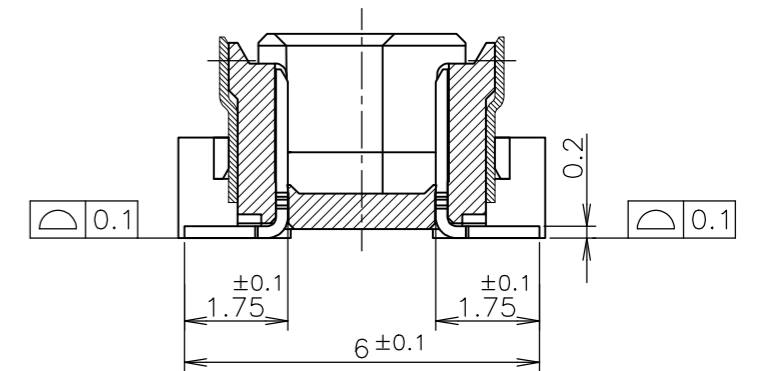
1

THIS DRAWING IS UNPUBLISHED. RELEASED FOR PUBLICATION FEB ,1995.  
 © COPYRIGHT 1995 By - ALL RIGHTS RESERVED.

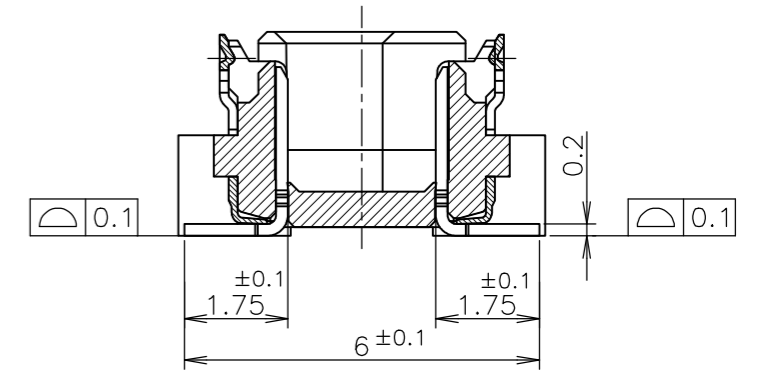
LOC	DIST	REVISIONS					
J		P	LTR	DESCRIPTION	DATE	DWN	APVD
		-		SEE SHEET 1	-	-	-



REFERENCE P.C.BOARD LAYOUT



G-G  
(SIGNAL POSITION)  
(SCALE 8:1)



F-F  
(GROUND POSITION)  
(SCALE 8:1)

AVAILABLE	51.8	50.6	54.7	50	47.4	160
AVAILABLE	45.8	44.6	48.7	44	41.4	140
NOT AVAILABLE	39.8	38.6	42.7	38	35.4	120
AVAILABLE	33.8	32.6	36.7	32	29.4	100
NOT AVAILABLE	30.8	29.6	33.7	29	26.4	90
NOT AVAILABLE	27.8	26.6	30.7	26	23.4	80
AVAILABLE	24.8	23.6	27.7	23	20.4	70
↑	21.8	20.6	24.7	20	17.4	60
AVAILABLE	18.8	17.6	21.7	17	14.4	50
NOT AVAILABLE	15.8	14.6	18.7	14	11.4	40
NOT AVAILABLE	12.8	11.6	15.7	11	8.4	30
TOOLING STATUS	E	D	C	B	A	POS

THIS DRAWING IS A CONTROLLED DOCUMENT.

DIMENSIONS: 單位: 耗 mm	TOLERANCES UNLESS OTHERWISE SPECIFIED: 一般公差	DWN
	0 PLC ± 0.3	CHK
	1 PLC ± 0.3	APVD
	2 PLC ± 0.3	PRODUCT SPEC 製品規格
	3 PLC ± 0.3	APPLICATION SPEC 取付適用規格
	4 PLC ± 0.3	WEIGHT
ANGLES ± 3'		
MATERIAL 材料	FINISH 仕上	CUSTOMER DRAWING

**STE** TE Connectivity

NAME  
名称

EMBOSS ASSY  
FH 0.6BTB CONNECTOR  
PLUG 4H WITH G-PLATE

SIZE	CAGE CODE	DRAWING NO 番号	RESTRICTED TO
A3	00779	G-5353184	-

SCALE  
尺度 4:1

SHEET 2 OF 3

REV D

4

3

2

1

THIS DRAWING IS UNPUBLISHED.

RELEASED FOR PUBLICATION

FEB ,1995.

© COPYRIGHT 1995 By -

ALL RIGHTS RESERVED.

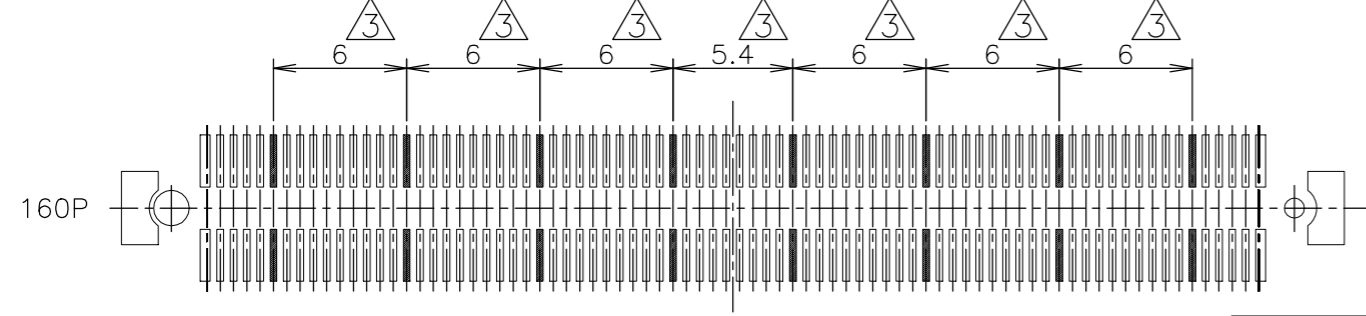
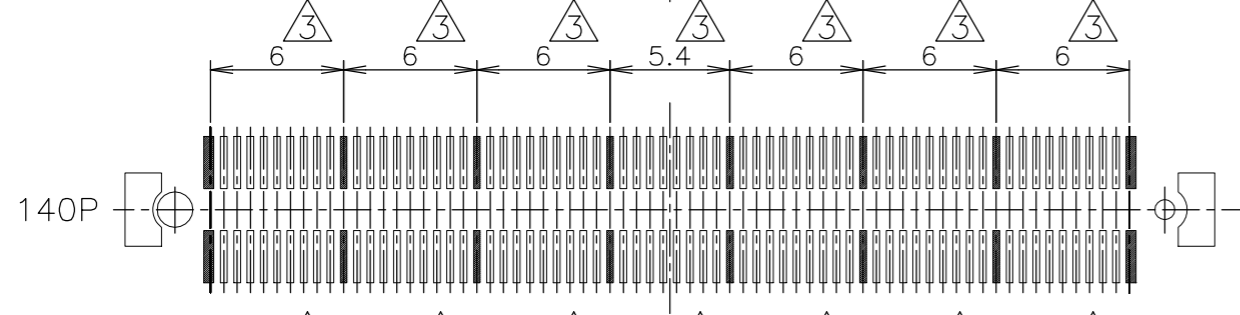
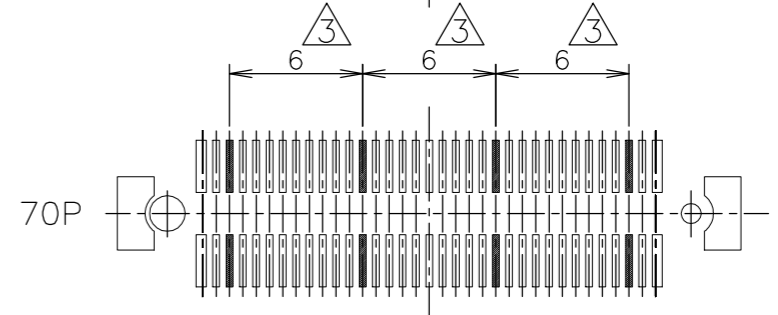
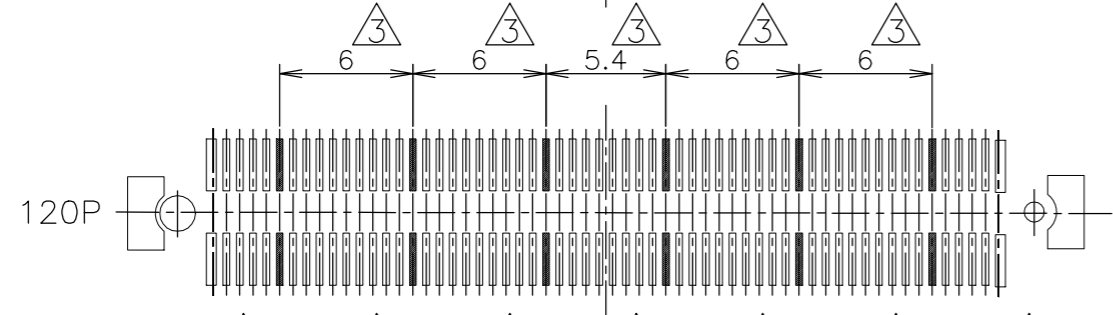
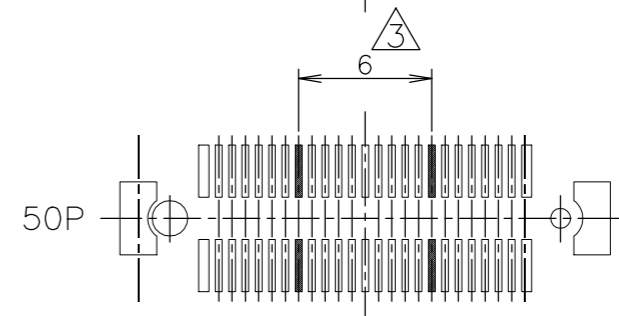
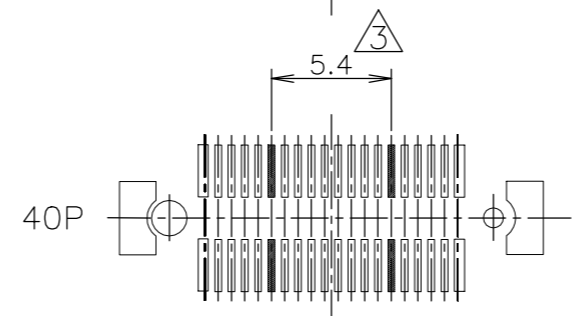
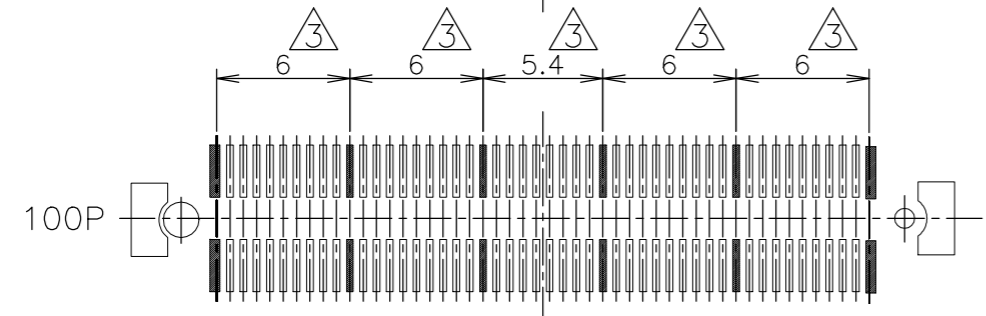
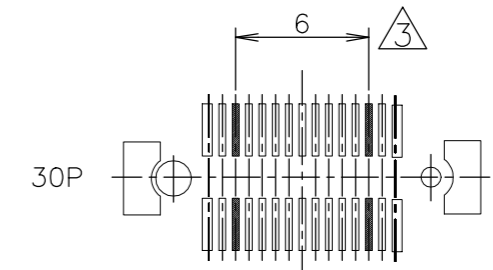
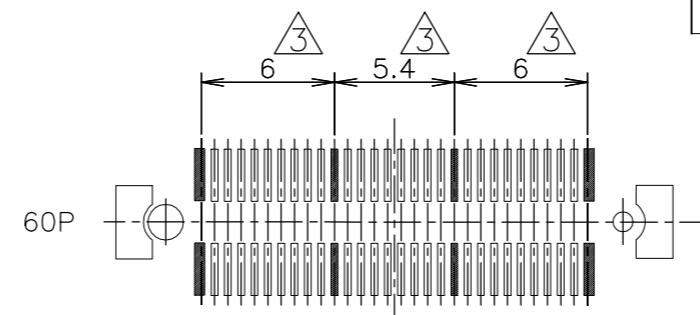
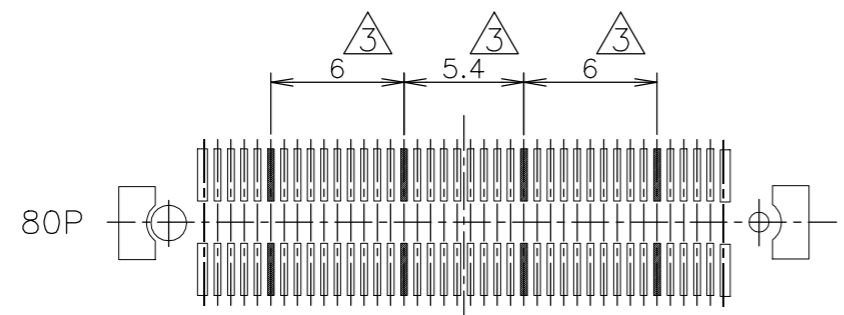
LOC  
J

DIST  
/

REVISIONS

変更

P	LTR	DESCRIPTION	DATE	DWN	APVD
-	-	SEE SHEET 1	-	-	-



- ① MATERIAL : HOUSING : HIGH TEMP THERMO PLASTIC, UL94V-0  
CONTACT : COPPER ALLOY
- ② FINISH : UNDER PL Ni 0.0013mm MIN ALL OVER.  
CONTACT AREA: 0.0002mm MIN Au PL.  
SOLDERING AREA: 0.001mm MIN TIN PL.
- ③ THIS POSITION IS GROUND CIRCUIT.
- ④ THIS PRODUCT WAS COATED BY FLUX-PENETRATION  
-INHIBITING AGENT.
- ⑤ FINISH : UNDER PL Ni 0.0013mm MIN ALL OVER.  
CONTACT AREA: 0.00076mm MIN Au PL.  
SOLDERING AREA: 0.001mm MIN TIN PL.

PROJ NO.695-013

A

THIS DRAWING IS A CONTROLLED DOCUMENT.		DWN		TE Connectivity	
DIMENSIONS: 単位: 耗 mm		CHK			
TOLERANCES UNLESS OTHERWISE SPECIFIED: 一般公差		APVD		NAME 名称	
0 PLC ± 0.3 1 PLC ± 0.3 2 PLC ± 0.3 3 PLC ± 0.3 4 PLC ± 0.3 ANGLES ± 3'		PRODUCT SPEC 製品規格		EMBOSS ASSY FH 0.6BTB CONNECTOR PLUG 4H WITH G-PLATE	
MATERIAL 材料		FINISH 仕上		SIZE	
		APPLICATION SPEC 取付適用規格		CAGE CODE	
		WEIGHT		DRAWING NO 番号	
		CUSTOMER DRAWING		A3 00779 C-5353184	
		SCALE 尺度		RESTRICTED TO	
		3:1		-	
		SHEET		REV	
		3 OF 3		D	