



UFB200FA40

Ultrafast Soft Recovery Diode

Features

- Fast Recovery Time Characteristic
- Electrically Isolated Base Plate
- Large Creepage Distance Between Terminal
- Simplified Mechanical Designs, Rapid Assembly

$V_R = 400V$
$V_F(\text{typ.}) = 1.0V$
$I_{F(AV)} = 200A$

Description

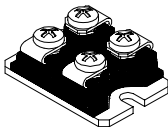
The dual diode series configuration (UFB200FA40) is used for output rectification or freewheeling/ clamping operation and high voltage application. The semiconductor in the SOT-227 package is isolated from the copper base plate, allowing for common heatsinks and compact assemblies to be built. These modules are intended for general applications such as HV power supplies, HF welders, motor control and inverters.

Absolute Maximum Ratings

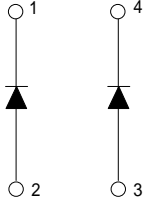
Parameters	Max	Units
V_R Cathode-to-Anode Voltage	400	V
I_F Continuous Forward Current, $T_C = 100^\circ C$ Per Leg	100	A
I_{FSM} Single Pulse Forward Current, $T_C = 25^\circ C$ Per Leg	1300	
I_{FRM} Maximum Repetitive Forward Current Per Leg	260	
Max. Power Dissipation, $T_C @ 90^\circ C$ Per Module	240	W
V_{ISOL} RMS Isolation Voltage, Any Terminal to Case, $t = 1 \text{ min}$	2500	V
T_J, T_{STG} Operating Junction and Storage Temperatures	- 55 to 150	$^\circ C$

Case Styles

UFB200FA40



SOT-227



Electrical Characteristics @ $T_J = 25^\circ\text{C}$ (unless otherwise specified) per diode

Parameters	Min	Typ	Max	Units	Test Conditions
V_{BR} Cathode Anode Breakdown Voltage	400	-	-	V	$I_R = 100\mu\text{A}$
V_{FM} Forward Voltage	-	-	1.2	V	$I_F = 100\text{A}$
	-	-	1.0	V	$I_F = 100\text{A}, T_J = 150^\circ\text{C}$
I_{RM} Reverse Leakage Current	-	-	50	μA	$V_R = V_R \text{ Rated}$
	-	-	4	mA	$T_J = 150^\circ\text{C}, V_R = V_R \text{ Rated}$
C_T Junction Capacitance	-	100	-	pF	$V_R = 400\text{V}$

Dynamic Recovery Characteristics @ $T_J = 25^\circ\text{C}$ (unless otherwise specified) per diode

Parameters	Min	Typ	Max	Units	Test Conditions
t_{rr} Reverse Recovery Time	-	-	60	ns	$I_F = 1.0\text{A}, di_F/dt = 200\text{A}/\mu\text{s}, V_R = 30\text{V}$
	-	93	-		$T_J = 25^\circ\text{C}$
	-	172	-		$T_J = 125^\circ\text{C}$
I_{RRM} Peak Recovery Current	-	11	-	A	$T_J = 25^\circ\text{C}$
	-	20	-		$T_J = 125^\circ\text{C}$
Q_{rr} Reverse Recovery Charge	-	490	-	nC	$T_J = 25^\circ\text{C}$
	-	1740	-		$T_J = 125^\circ\text{C}$

Thermal - Mechanical Characteristics

Parameters	Min	Typ	Max	Units
R_{thJC} Junction to Case, Single Leg Conducting Both Leg Conducting			0.5	$^\circ\text{C}/\text{W}$
			0.25	K/W
R_{thCS} Case to Heat Sink, Flat, Greased Surface		0.05		
Wt Weight		30		g
T Mounting Torque		1.3		(N*m)

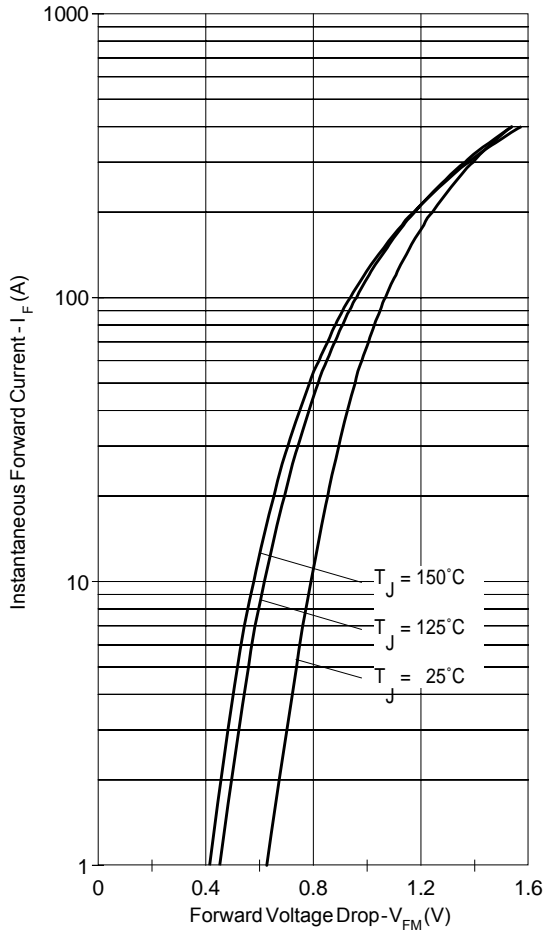


Fig. 1 - Typical Forward Voltage Drop Characteristics (per diode)

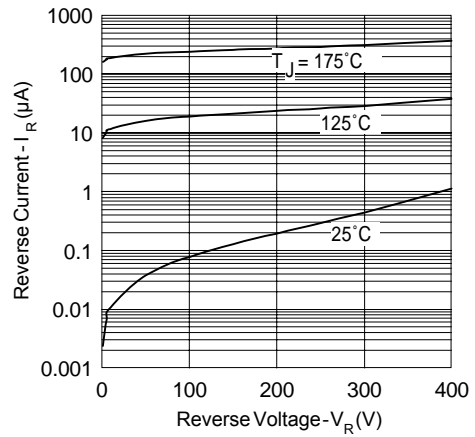


Fig. 2 - Typical Values Of Reverse Current Vs. Reverse Voltage

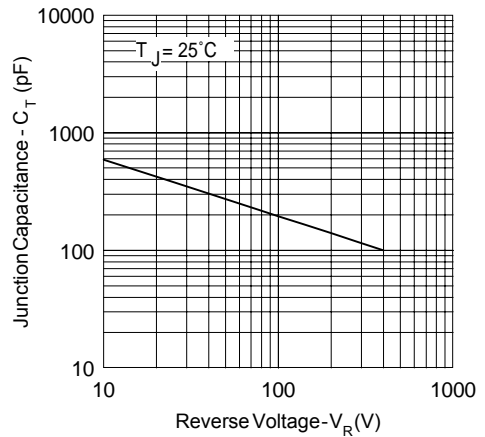


Fig. 3 - Typical Junction Capacitance Vs. Reverse Voltage

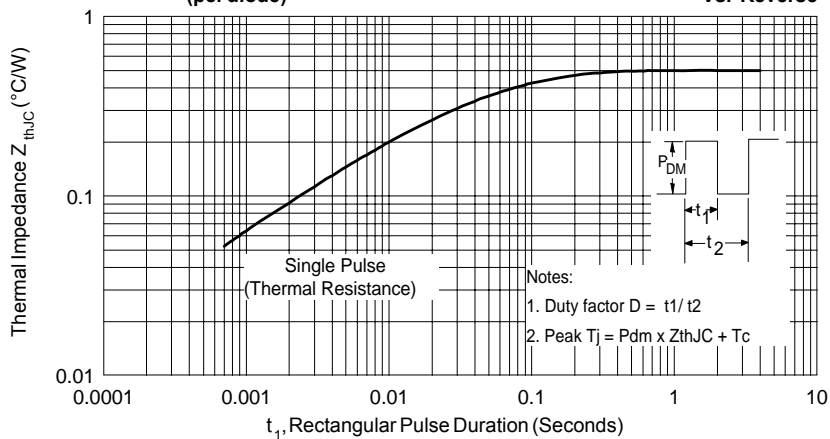


Fig. 4 - Max. Thermal Impedance Z_{thJC} Characteristics (per diode)

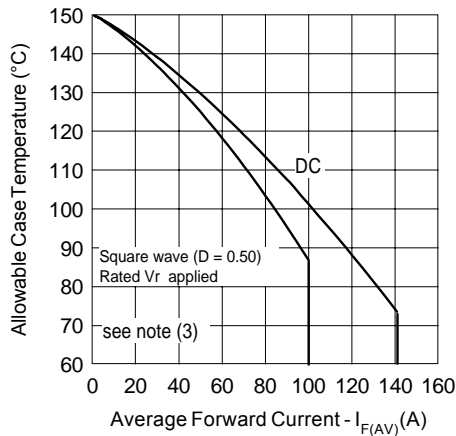


Fig. 5 - Max. Allowable Case Temperature Vs. Average Forward Current (per leg)

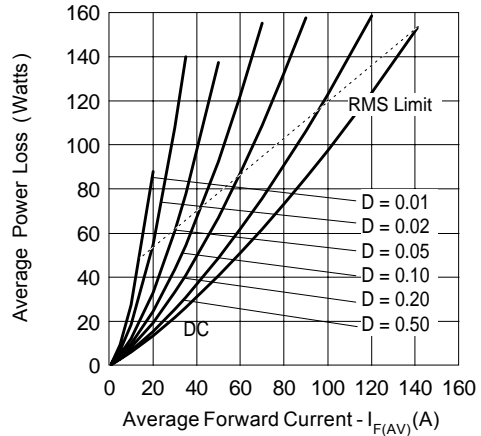


Fig. 6 - Forward Power Loss Characteristics (per leg)

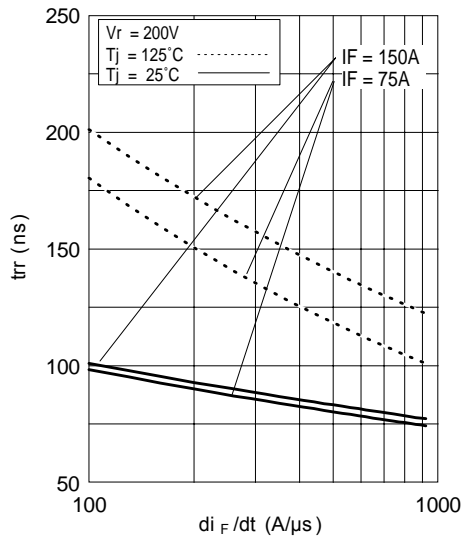


Fig. 7 - Typical Reverse Recovery time vs. di_F/dt

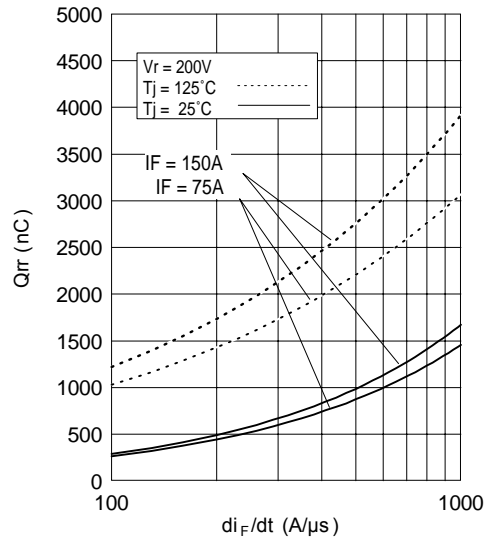


Fig. 8 - Typical Stored Charge vs. di_F/dt

(3) Formula used: $T_C = T_J - (Pd + Pd_{REV}) \times R_{thJC}$;
 Pd = Forward Power Loss = $I_{F(AV)} \times V_{FM} @ (I_{F(AV)}/D)$ (see Fig. 6);
 Pd_{REV} = Inverse Power Loss = $V_{R1} \times I_R (1 - D)$; $I_R @ V_{R1} = 80\%$ rated V_R

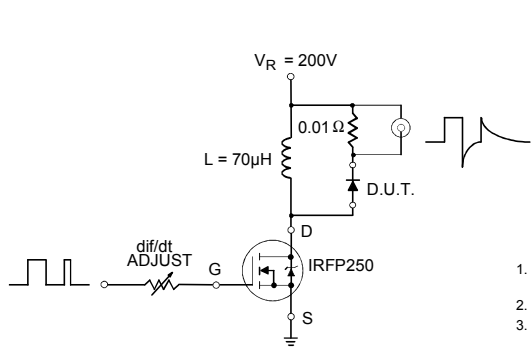
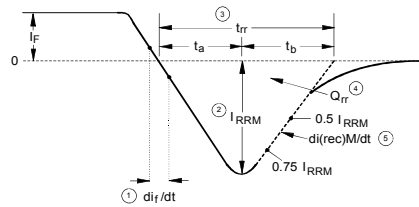


Fig. 1 - Reverse Recovery Parameter Test Circuit

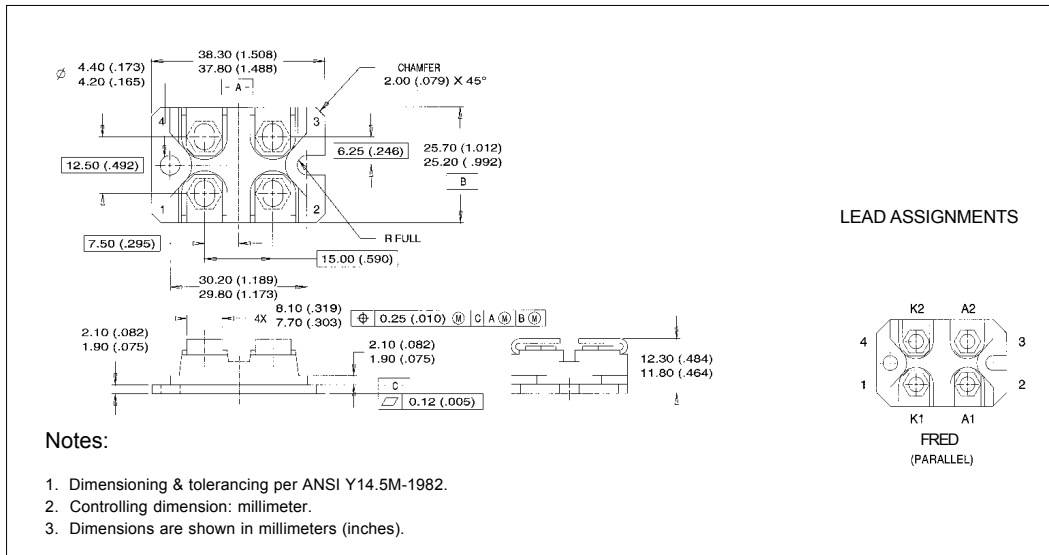


1. di_F/dt - Rate of change of current through zero crossing
2. I_{RRM} - Peak reverse recovery current
3. t_{rr} - Reverse recovery time measured from zero crossing point of negative going I_F to point where a line passing through $0.75 I_{RRM}$ and $0.5 I_{RRM}$ extrapolated to zero current
4. Q_{rr} - Area under curve defined by t_{rr} and I_{RRM}

$$Q_{rr} = \frac{t_{rr} \times I_{RRM}}{2}$$
5. $di_{(rec)M}/dt$ - Peak rate of change of current during t_b portion of t_{rr}

Fig. 2 - Reverse Recovery Waveform and Definitions

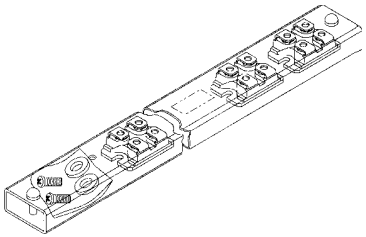
SOT-227 Package Details



SOT-227 Package Details

Tube

QUANTITIES PER TUBE IS 10
M4 SCREW AND WASHER INCLUDED



Ordering Information Table

Device Code

UF	B	200	F	A	40	-
①	②	③	④	⑤	⑥	⑦

- - ULTRAFast RECTIFIER
- 2 - Ultrafst Pt diffused
- 3 - Current Rating (200 = 200A)
- 4 - Circuit Configuration (2 separate Diodes, parallel pin-out)
- 5 - Package Indicator (SOT-227 Standard Isolated Base)
- 6 - Voltage Rating (40 = 400V)
- 7 - Special Options

Empty = No special Option
LC = n.a.

Data and specifications subject to change without notice.
This product has been designed and qualified for Industrial Level.
Qualification Standards can be found on IR's Web site.