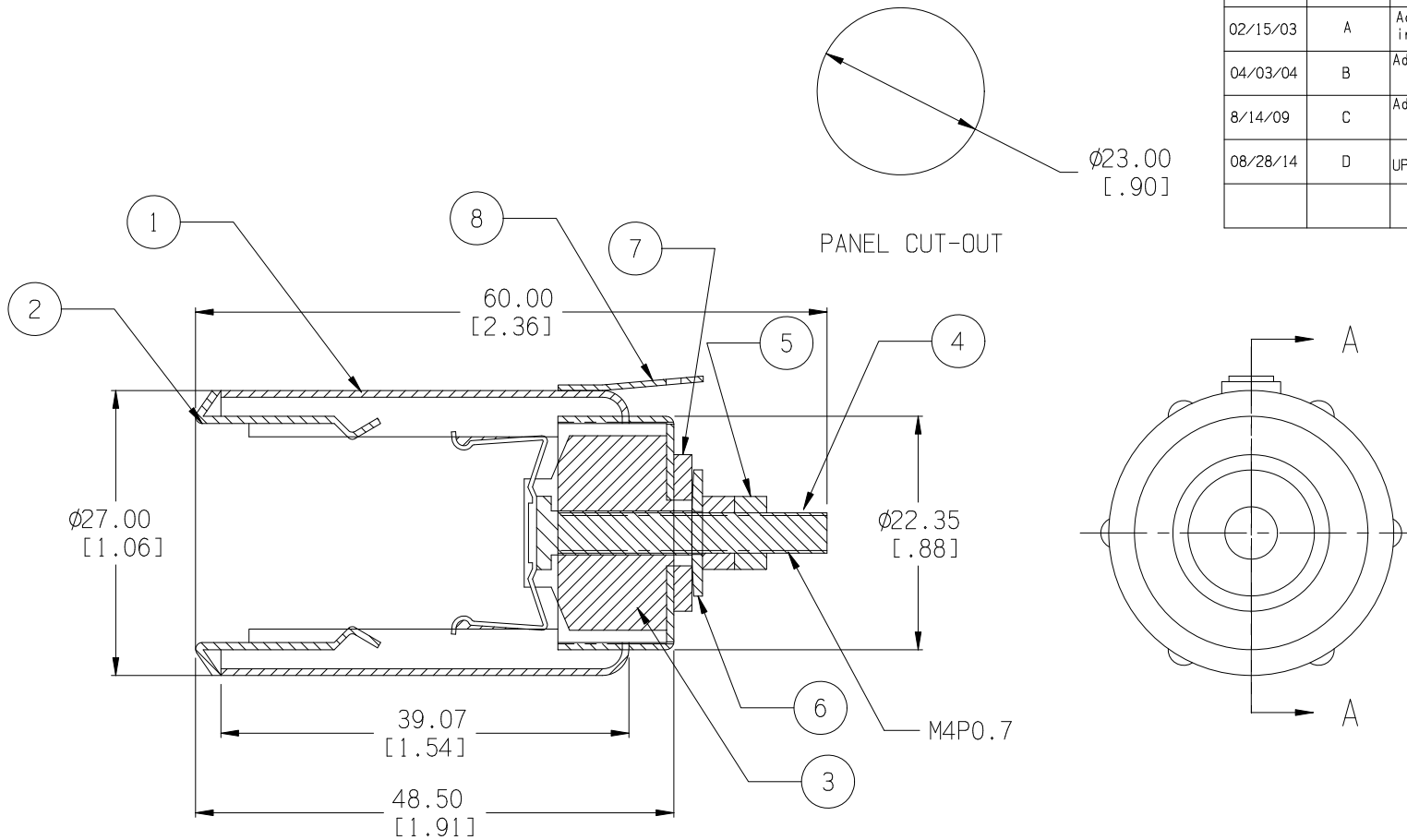


Date	SYM	REVISION RECORD	AUTH	DR.	CK.
02/15/03	A	Added panel cut-out information	T.B.	B.S.	
04/03/04	B	Added Electrical Rating	T.B.	B.S.	
8/14/09	C	Added Bill Of Material	T.B.	B.S.	
08/28/14	D	UPDATED TO ROHS 2 COMPLIANT	T.B.	B.S.	



ELECTRICAL RATING: 12V, 10 AMP
ROHS 2 COMPLIANT

BILL OF MATERIAL

PART NAME	QTY.	MATERIAL	Tolerance (Inches)	Memory Protection Devices, Inc. 200 Broad Hollow Road, Farmingdale, New York 11735	
Casting	1	Iron, Nickel Plated	Decimal	Scale	Drawn By B.S.
Inner Tube	1	Iron, Nickel Plated	±.5 (.020)		Approved By T.B.
Porcelain Socket	1	Ceramic	Fractional	Title CIGARETTE SOCKET, METAL BAKELITE INSULATOR, SCREW-LOCK TYPE	
(+) Screw	1	Brass	± .8 (.030)	Date	Drawing Number
Nut	1	Iron, Nickel Plated	Angular	08/28/14	ZA2060
Washer	1	Iron, Nickel Plated	± 3°		
Insulation	1	Bakelite			
(-) Terminal	1	Iron, Nickel Plated			