

THIS DRAWING IS UNPUBLISHED. RELEASED FOR PUBLICATION
 © COPYRIGHT BY TYCO ELECTRONICS CORPORATION. ALL RIGHTS RESERVED.

LOC		DIST		REVISIONS			
P	LTR	DESCRIPTION		DATE	DWN	APVD	
	B	ECO-06-000585		14AUG06	BSV	MZ	

SPECIFICATIONS:

MATERIALS:

CASE: HIGH TEMPERATURE POLYESTER, UL 94V-0.
 ACTUATOR BUTTON: POLYAMIDE, COLOR: SEE CHART BELOW.
 HEXNUT: STAINLESS STEEL.
 WASHER: STAINLESS STEEL.
 MOVING CONTACT: COPPER ALLOY, TIN/LEAD PLATE.
 FIXED CONTACT/TERMINAL: COPPER ALLOY, TIN/LEAD PLATE.
 TERMINAL SEAL: OPTIONAL.

ELECTRICAL:

CONTACT RATING: 0.4 VA MAX. @ 20 VDC OR PEAK AC.
 INITIAL CONTACT RESISTANCE: 20 MILLIOHMS MAX.
 INSULATION RESISTANCE: 1,000 MEGOHMS @ 500 VDC MIN.
 DIELECTRIC STRENGTH: 1,000 VOLTS RMS @ SEA LEVEL.
 LIFE EXPECTANCY: 80,000 CYCLES.

MECHANICAL:

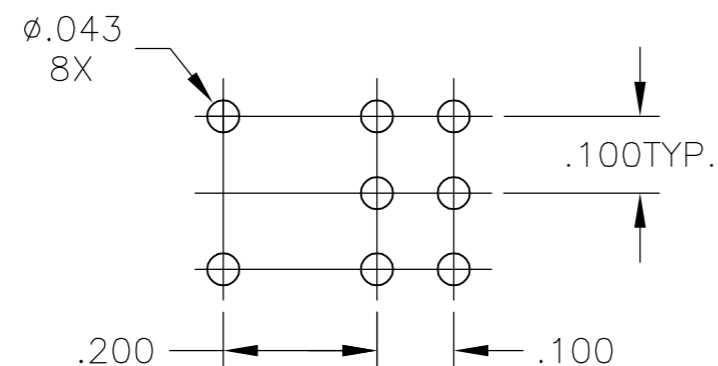
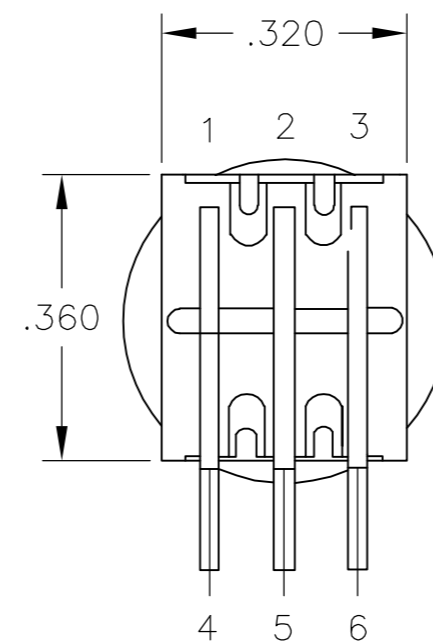
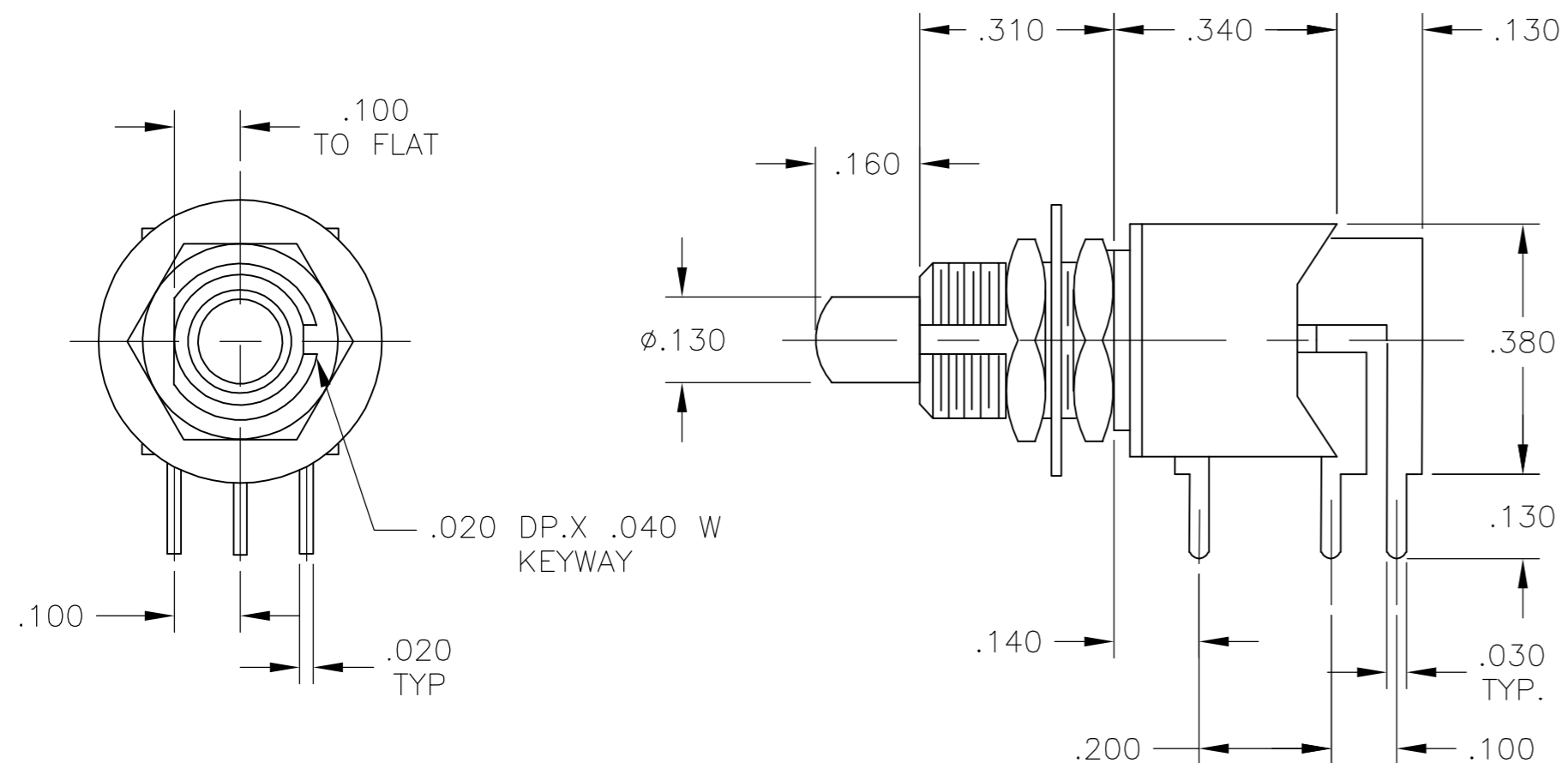
ACTUATION FORCE: 50 TO 400 GRAMS.
 ACTUATION TRAVEL: .030 APPROX.

ENVIRONMENTAL:

OPERATING TEMPERATURE: -22°F TO +149°F (-30°C TO +65°C).
 STORAGE TEMPERATURE: -22°F TO +149°F (-30°C TO +65°C).

NOTES:

1. INTERPRET DRAWING PER ANSI Y14.5M-1982.



RECOMMENDED HOLE LAYOUT
 TOLERANCE ±.002 UNLESS OTHERWISE NOTED

TPF21MG RA (*)	DPST	NONE	(1-3), (4-6)
TPF21RG RA (*)	DPDT	1-2, 4-5	(2-3), (5-6)
MODEL NO	TYPE		

TERMINALS CONNECTED WHEN PLUNGER IS IN POSITION SHOWN

TERMINAL DESIGNATION NUMBERS ARE FOR REFERENCE ONLY AND DO NOT APPEAR ON SWITCHES

() INDICATES MOMENTARY.

NO CENTER TERMINAL ON "M" ACTION SWITCH

(*)-SPECIFY COLOR.
 0=BLACK
 2=RED
 6=BLUE.

THIS DRAWING IS A CONTROLLED DOCUMENT.		DWN	23SEP96		tyco Electronics	Tyco Electronics Corporation	
DIMENSIONS: INCHES		CHK	S.KIRCORIAN			Harrisburg, Pa 17105-3608	
TOLERANCES UNLESS OTHERWISE SPECIFIED:		APVD	-		NAME		
0 PLC ± -		PRODUCT SPEC	-		PUSHBUTTON SWITCH (TPF21 RA(*) SERIES)		
1 PLC ± -		APPLICATION SPEC	-		SIZE	CAGE CODE	DRAWING NO
2 PLC ± -		FINISH	-		A2	00779	C=8-1437572-9
3 PLC ± .010		MATERIAL	-		SCALE	SHEET	OF
4 PLC ± -		SEE SPECIFICATIONS	-		4:1	1	1
ANGLES ± 1°		WEIGHT	-		REV	B	
FINISH		CUSTOMER DRAWING	-				

8-1437572-9