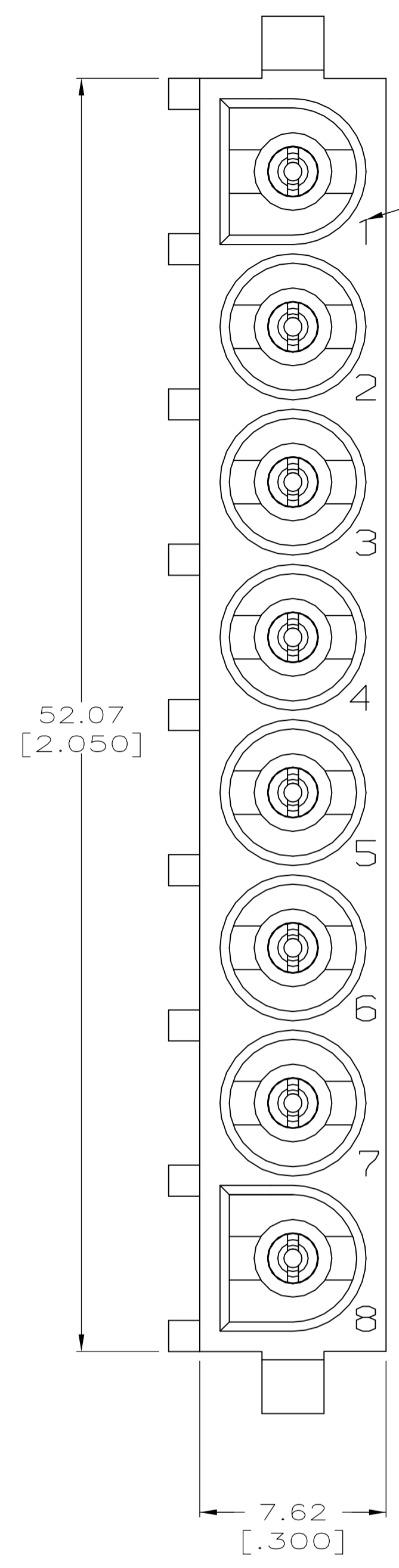
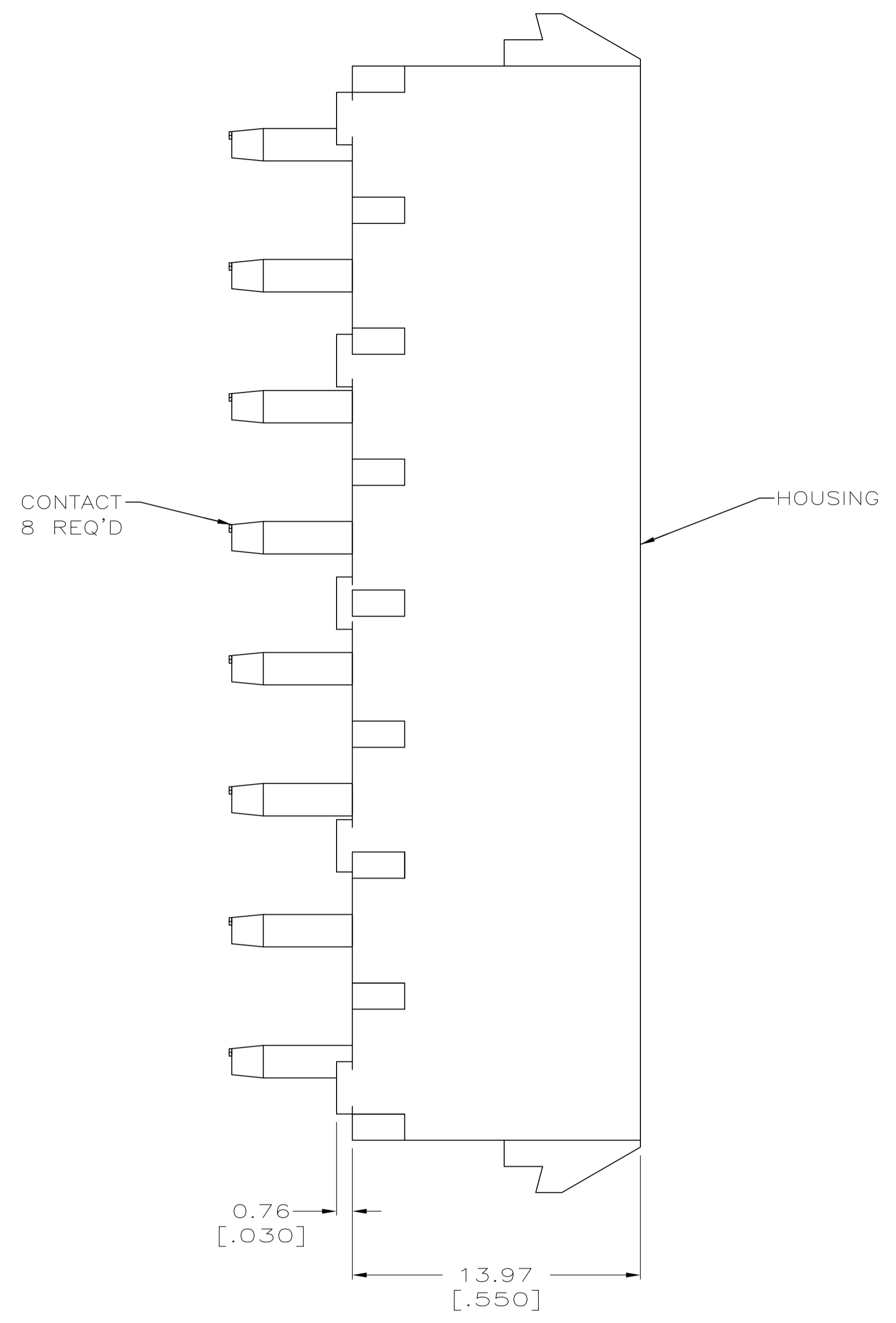
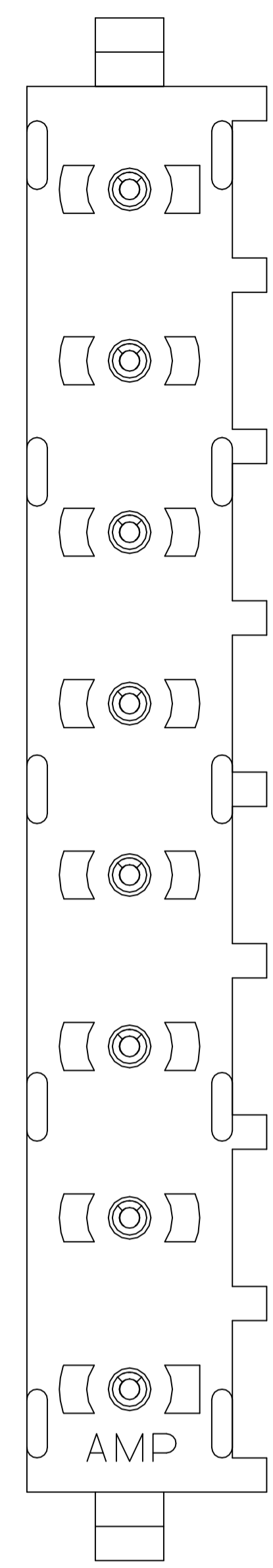
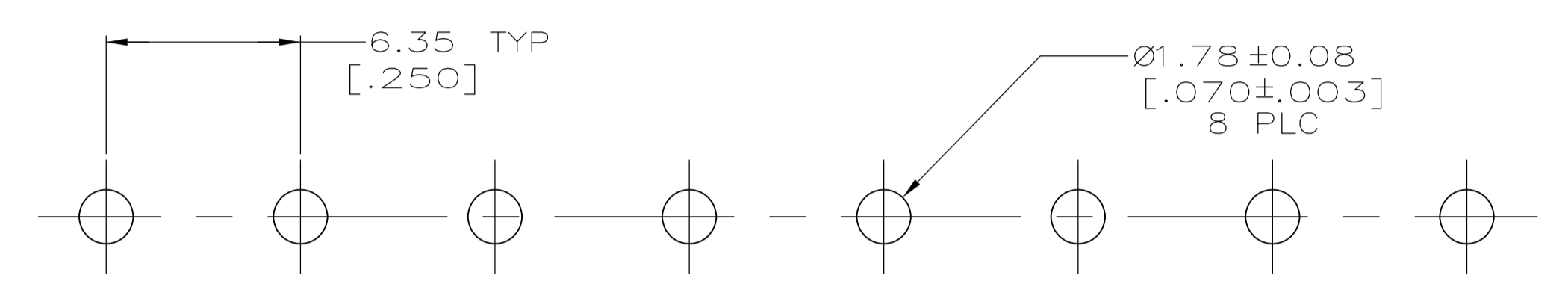


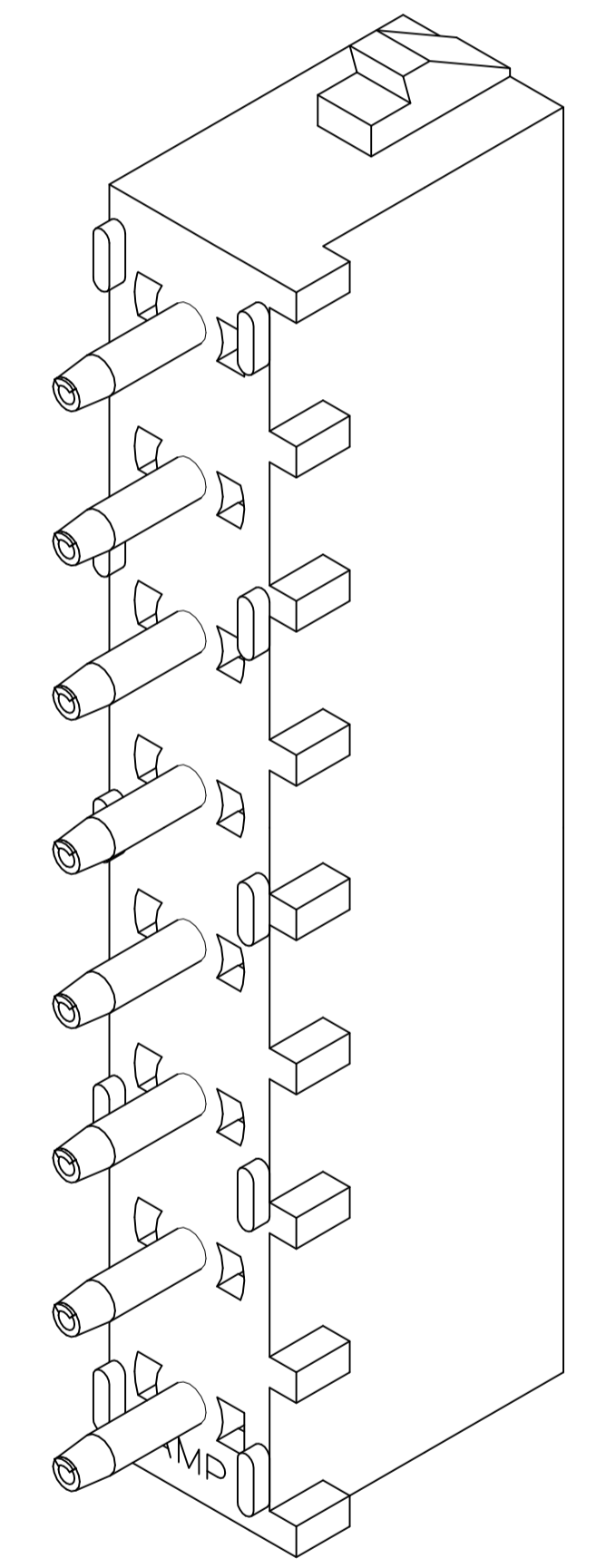
LOC		DIST		REVISIONS			
P	LTR	DESCRIPTION	DATE	DN	APVD		
H		REVISED PER 063B-1094-04	25JAN05	KW	SR		
H1		REVISED PER ECO-09-022908	08OCT09	KK	AEG		



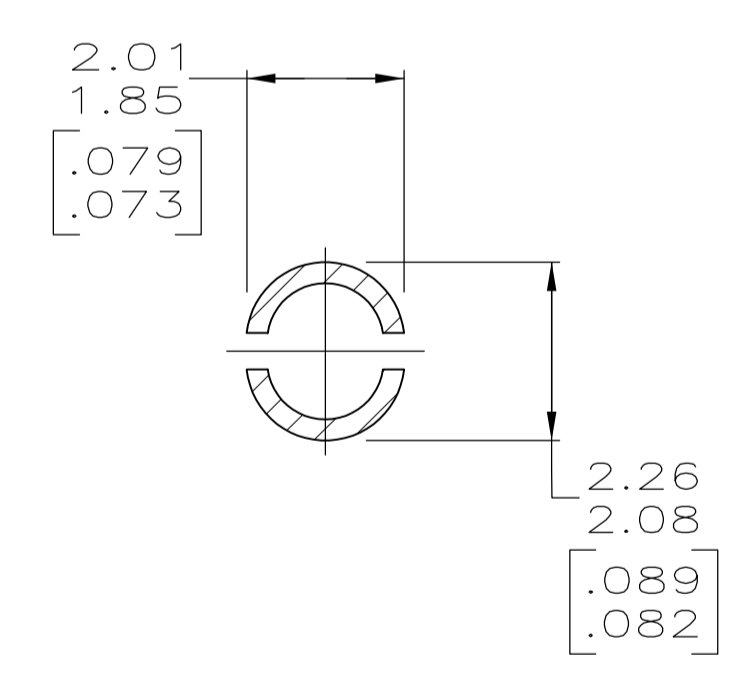
- PARTS COMPLY WITH AMP SOLDERABILITY SPECIFICATION 109-11-3.
- DIMENSIONS IN BRACKETS ARE IN INCHES.
- CIRCUIT IDENTIFICATION CHARACTERS ARE ADJACENT TO THE INDICATED CAVITIES, BUT LOCATION AND ORIENTATION MAY DIFFER FROM PRINT.
- CONTACT IS PLATED OVERALL WITH 0.00127 [.000050] NICKEL THEN 0.00076 [.000030] GOLD OVER CONTACT LENGTH INDICATED AND MATTE TIN LEAD ON SOLDER TAIL END.
- CONTACT IS PLATED OVERALL WITH 0.00127 [.000050] NICKEL THEN 0.00076 [.000030] GOLD OVER CONTACT LENGTH INDICATED AND MATTE TIN ON SOLDER TAIL END.
- OBSOLETE PARTS: OBSOLETE CIS STREAMLINING PER D.RENAUD/D.SINISI



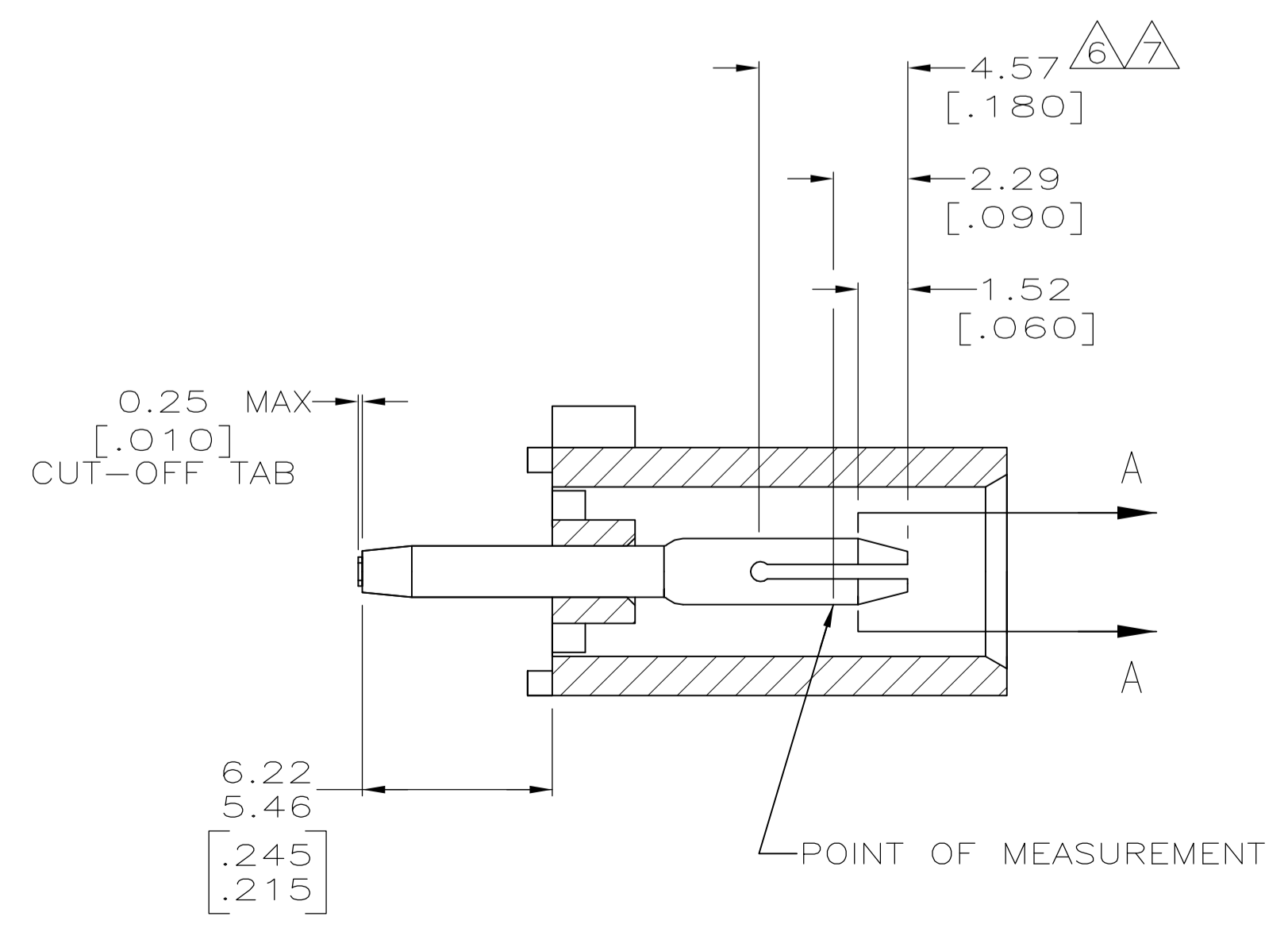
RECOMMENDED MOUNTING HOLE PATTERN FOR 3.18 [.125] THICK P.C. BOARD



3-DIMENSIONAL MODEL NTS



SECTION A-A SCALE 10:1



	PIN CONTACT MATERIAL AND FINISH	HOUSING MATERIAL	PART NUMBER
△ OBSOLETE	PHOSPHOR BRONZE, GOLD △	NYLON, UL94V-0, WHITE	770272-3
OBSOLETE	PHOSPHOR BRONZE, GOLD △	NYLON, UL94V-0, WHITE	770272-2
	PHOSPHOR BRONZE, PRE-TIN	NYLON, UL94V-0, WHITE	770272-1

METRIC

THIS DRAWING IS A CONTROLLED DOCUMENT.

DIMENSIONS: mm [INCHES]	TOLERANCES UNLESS OTHERWISE SPECIFIED:	DIN K. WHITAKER 24JAN2005	Tyco Electronics Corporation Greensboro, NC 27409
0 PLC ± -	1 PLC ± -	CHK S. RIDGILL 24JAN2005	
2 PLC ± 0.13 [.005]	3 PLC ± -	APVD S. RIDGILL 24JAN2005	NAME PIN HEADER ASSEMBLY, 8 CIRCUIT, UNIVERSAL MATE-N-LOK™
4 PLC ± -	ANGLES ± -	PRODUCT SPEC	
MATERIAL SEE TABLE	FINISH SEE TABLE	APPLICATION SPEC	SIZE CAGE CODE DRAWING NO
		WEIGHT	A1 00779 ©=770272
		CUSTOMER DRAWING	SCALE 5:1 SHEET 1 OF 1 REV H1