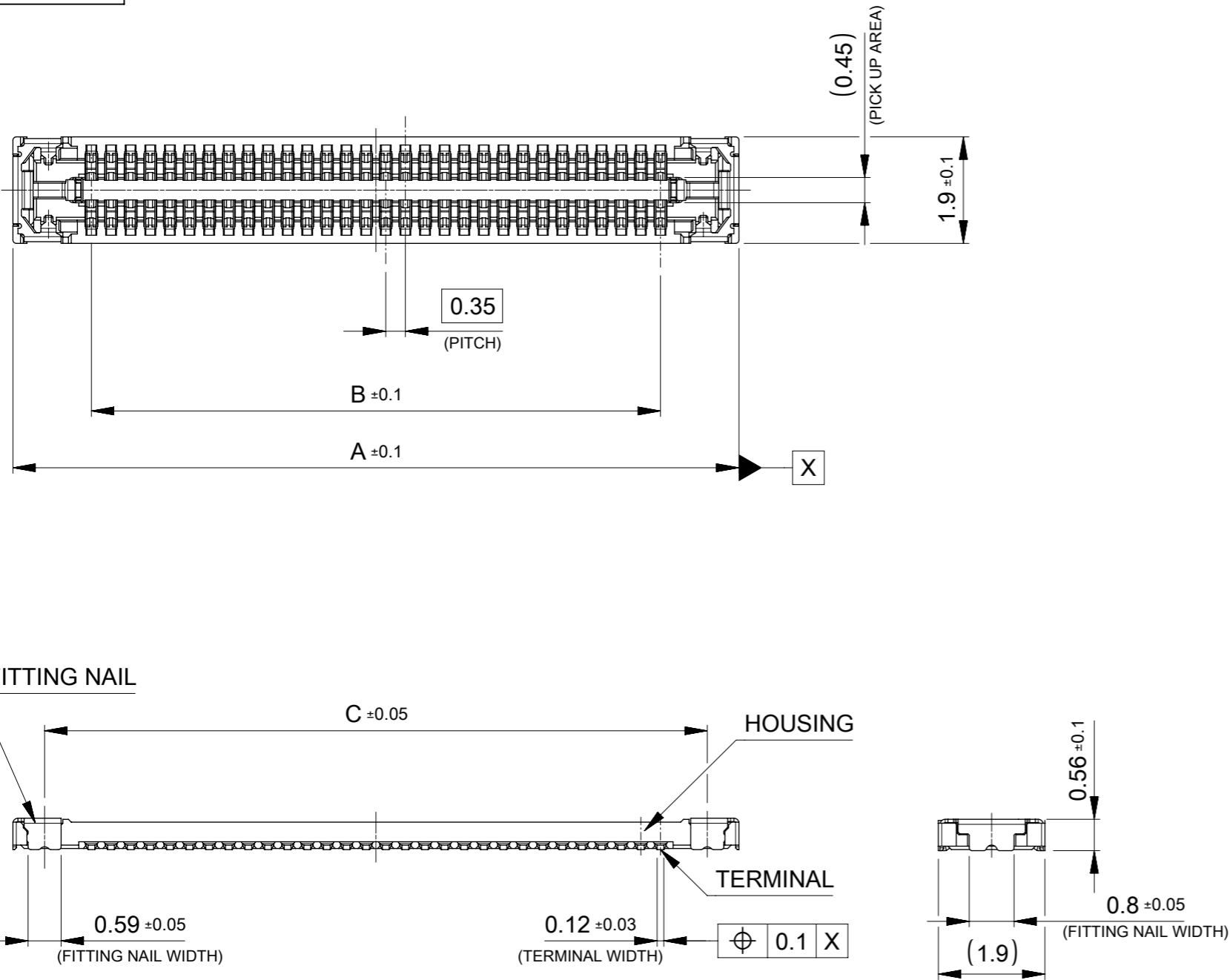


GENERAL DRAWING



NOTES

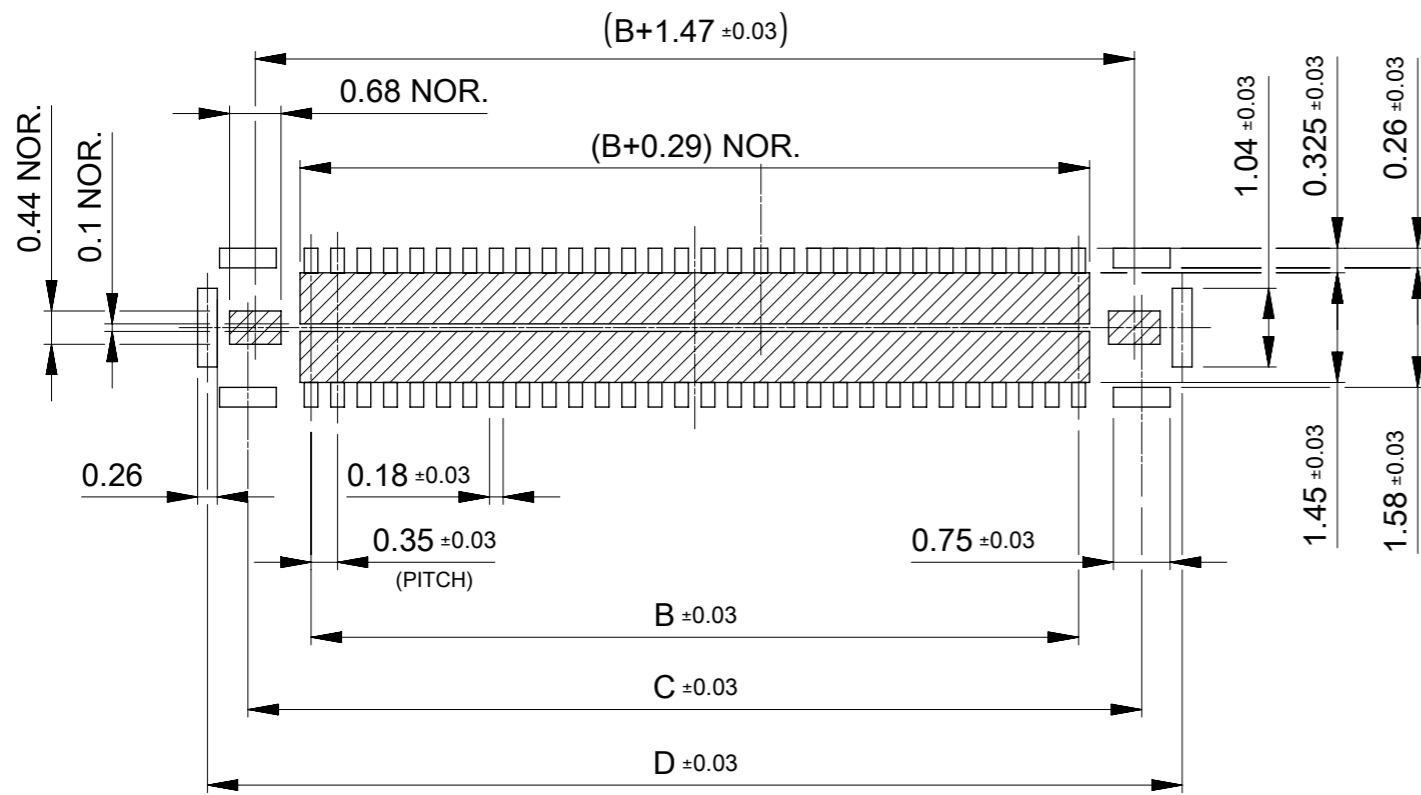
- 1. MATERIAL**
 HOUSING : LIQUID CRYSTAL POLIMER UL94V-0 (COLOR : BLACK)
 TERMINAL : COPPER ALLOY
 FITTING NAIL : COPPER ALLOY
- 2. PLATING**
TERMINAL :
 CONTACT AREA : GOLD PLATING(0.1µm MINIMUM)
 SOLDER TAIL AREA : GOLD PLATING(0.05µm MINIMUM)
 UNDER PLATING : NICKEL OVERALL(1.0µm MINIMUM)
 * DIVIED INTO PARTS THE GOLD PLATING OF THE CONTACT AND THE TAIL PART BY THE NICKEL PLATING.

FITTING NAIL :
 CONTACT AREA : GOLD PLATING(0.1µm MINIMUM)
 SOLDER TAIL AREA : GOLD PLATING(0.05µm MINIMUM)
 UNDER PLATING : NICKEL OVERALL(1.0µm MINIMUM)
 * DIVIED INTO PARTS THE GOLD PLATING OF THE CONTACT AND THE TAIL PART BY THE NICKEL PLATING.
- 3. MATE WITH : 216701******
- 4.COPLANARITY : SHALL BE 0.08MAX. ON BOTH OF TERMINAL AND NAIL.
 AND 0.1 MAX AFTER REFLOW**
- 5. PROHIBITED AREA OF PATTERN WIRING AND SOLDER.
 (FOR EACH AREA, THE WIRING THAT TOUCHES ON THE SOLDER CAN BE ATTACHED, THEN COVERED WITH A FILM TO KEEP SOLDER OUT)**


12.89	11.82	10.15	12.95	2167000609	---	O	60
11.84	10.77	9.10	11.90	2167000549	O	---	54
11.14	10.07	8.40	11.20	2167000509	O	---	50
9.39	8.32	6.65	9.45	2167000409	O	---	40
7.64	6.57	4.90	7.70	2167000309	---	O	30
6.59	5.52	3.85	6.65	2167000249	---	O	24
5.89	4.82	3.15	5.95	2167000209	O	---	20
4.14	3.07	1.40	4.20	2167000109	---	O	10

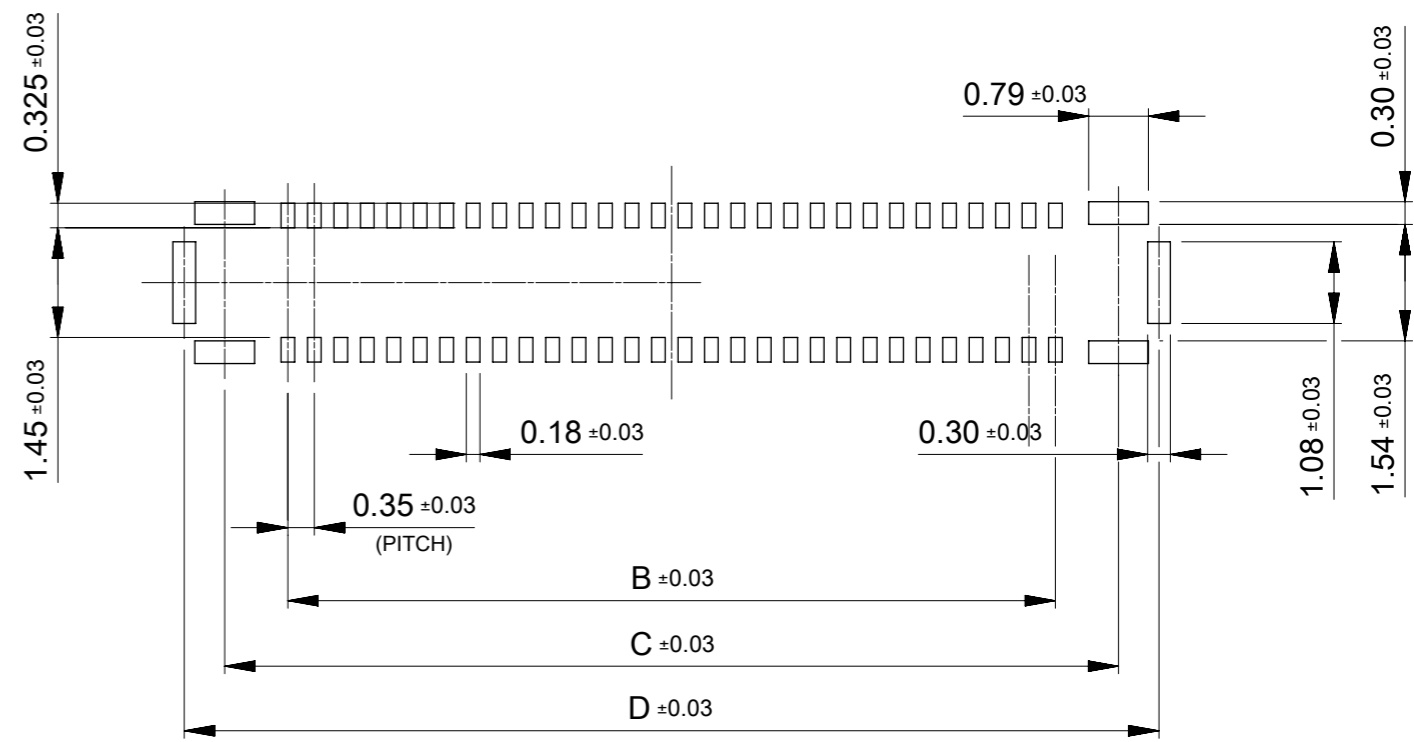
D	C	B	A	EMBOSSSED TAPE PACKAGE	HIGH VOL. TOOL	LOW VOL. TOOL	Ckts
				SAMPLE PREPARATION			
ORDER No.				O : TOOLED □ : WORK PROCESS --- : TOOLING TO BE CONFIRMED			
CONNECTOR SERIES No. : 216700****							

FUNCTIONAL SYMBOLS	THIS DRAWING CONTAINS INFORMATION THAT IS PROPRIETARY TO MOLEX ELECTRONIC TECHNOLOGIES, LLC AND SHOULD NOT BE USED WITHOUT WRITTEN PERMISSION		CURRENT REV DESC:		molex		
	mm	10:1					
DIVISIONAL SYMBOLS	GENERAL TOLERANCES (UNLESS SPECIFIED)		EC NO: 746141		PRODUCT CUSTOMER DRAWING		
	ANGULAR TOL ± 1.0°		DRWN: DWLEE02 2023/04/14				
4 PLACES ± 0.05		CHK'D: JHCHANG 2023/04/14		DOCUMENT NUMBER	DOC TYPE	DOC PART	REVISION
3 PLACES ± 0.05		APPR: JBJIN 2023/04/17					
2 PLACES ± 0.05		INITIAL REVISION:					
1 PLACE ± 0.1		DRWN: JHCHANG 2023/04/13					
0 PLACES ± 0.2		APPR: JBJIN 2023/04/17					
DRAFT WHERE APPLICABLE MUST REMAIN WITHIN DIMENSIONS		THIRD ANGLE PROJECTION	DRAWING	SERIES	MATERIAL NUMBER	CUSTOMER	SHEET NUMBER
			A3-SIZE	216700	SEE SHEET 1	GENERAL	1 OF 2



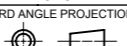
RECOMMENDED P.C.BOARD PATTERN LAYOUT
(FOR REFERENCE)

 SOLDER PROHIBITED AREA.
WHEN WIRING IS LOCATED,
THE WIRING MUST BE MASKED BY COVER LAY OR RESIST FILM.

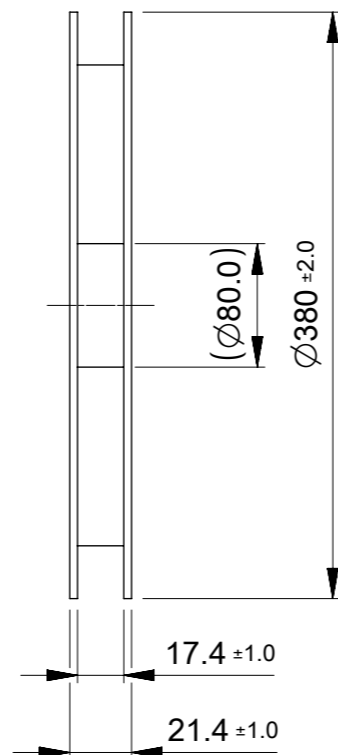
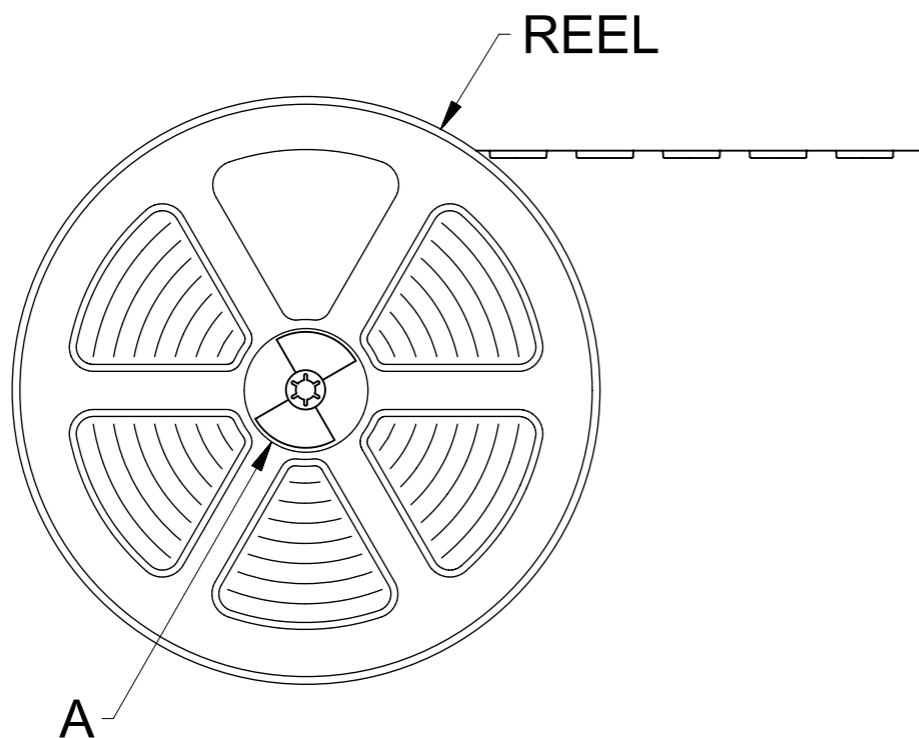


RECOMMENDED METAL MASK LAYOUT
(FOR REFERENCE)

RECOMMENDED THICKNESS : 0.08mm
RECOMMENDED APERTURE DIMENSION IS JUST SAME AS SHOWN FIGURE ABOVE.
FOR THIS DIMENSION, APERTURE RATIO ARE SIGNAL TERMINAL 100% AND
FITTING NAIL ALL 120%.

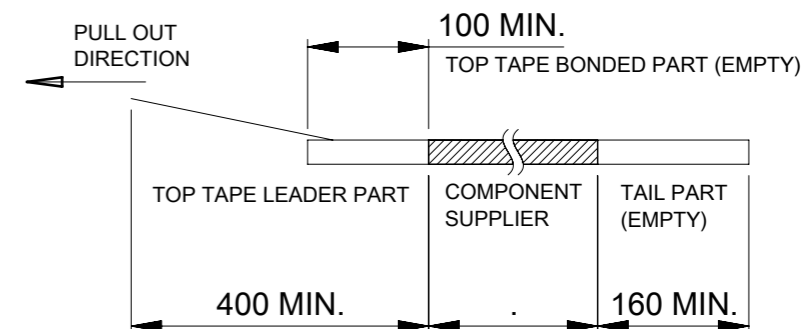
FUNCTIONAL SYMBOLS	THIS DRAWING CONTAINS INFORMATION THAT IS PROPRIETARY TO MOLEX ELECTRONIC TECHNOLOGIES, LLC AND SHOULD NOT BE USED WITHOUT WRITTEN PERMISSION		CURRENT REV DESC:			molex		
	△/A = 0	mm						
DIVISIONAL SYMBOLS	GENERAL TOLERANCES (UNLESS SPECIFIED)		EC NO: 746141			PRODUCT CUSTOMER DRAWING		
	ANGULAR TOL ± 1.0 °		DRWN: DWLEE02 2023/04/14					
	4 PLACES ± 0.05		CHK'D: JHCHANG 2023/04/14			DOCUMENT NUMBER		
	3 PLACES ± 0.05		APPR: JBJIN 2023/04/17			2167000000-SD		
	2 PLACES ± 0.05		INITIAL REVISION:			DOC TYPE DOC PART REVISION		
1 PLACE ± 0.1		DRWN: JHCHANG 2023/04/13			PSD 002 A			
0 PLACES ± 0.2		APPR: JBJIN 2023/04/17			SHEET NUMBER			
DRAFT WHERE APPLICABLE MUST REMAIN WITHIN DIMENSIONS		THIRD ANGLE PROJECTION		DRAWING	SERIES	MATERIAL NUMBER	CUSTOMER	SHEET NUMBER
				A3-SIZE	216700	SEE SHEET1	GENERAL	2 OF 2

⇒ PULL OUT DIRECTION

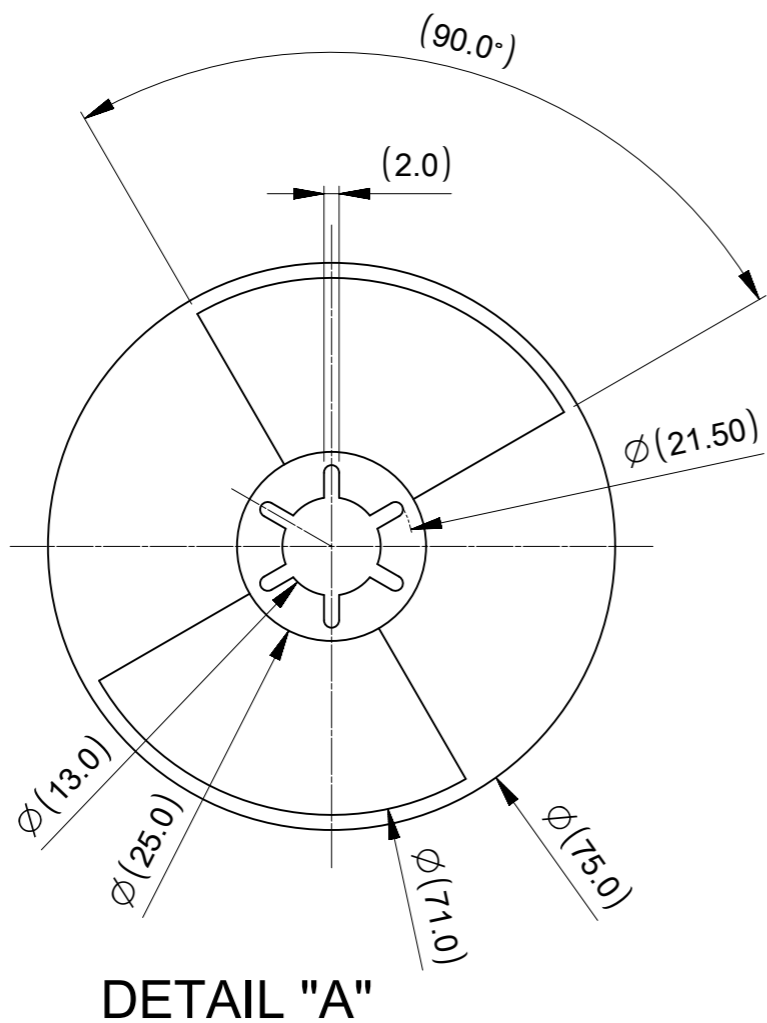


NOTES

1. RE DETAILED DIMENSION, SEE PRODUCT DRAWING.
2. NUMBER OF CONNECTORS : 20,000PCS/REEL
3. LEAD TAPE LENGTH :



4. PEEL OFF FORCE OF THE TOP TAPE IS DEFINDED BY IEC 60286-3.
5. MATERIAL
 - CARRIER TAPE : POLYSTYRENE OR PET
 - TOP TAPE : PET, OTHER
 - REEL : POLYSTYRENE(PS) [RECYCLE MATERIAL CONTAINED]



DETAIL "A"

FUNCTIONAL SYMBOLS	THIS DRAWING CONTAINS INFORMATION THAT IS PROPRIETARY TO MOLEX ELECTRONIC TECHNOLOGIES, LLC AND SHOULD NOT BE USED WITHOUT WRITTEN PERMISSION		CURRENT REV DESC:		molex
	$\nabla_A = 0$	mm	SCALE 1:1		
	GENERAL TOLERANCES (UNLESS SPECIFIED)				0.35 BB H=0.6 ACB6 PLUS REC ASSY PKG
	$\nabla_E = 0$	ANGULAR TOL	$\pm 1.0^\circ$		
DIVISIONAL SYMBOLS		4 PLACES	± 0.05	EC NO: 746141	
		3 PLACES	± 0.05	DRWN: DWLEE02	2023/04/14
		2 PLACES	± 0.05	CHK'D: JHCHANG	2023/04/14
		1 PLACE	± 0.1	APPR: JBJIN	2023/04/17
		0 PLACES	± 0.2		
	DRAFT WHERE APPLICABLE MUST REMAIN WITHIN DIMENSIONS		THIRD ANGLE PROJECTION	DRAWING	SERIES
				A3-SIZE	216700
				MATERIAL NUMBER	CUSTOMER
				SEE SHEET2	GENERAL
				DOCUMENT NUMBER	DOC TYPE DOC PART REVISION
				2167000001-SD	PSD 001 A
					SHEET NUMBER
					1 OF 2

PULL OUT DIRECTION →

EMBOSS CARRIER TAPE

TOP TAPE

H ±0.10

0.30 ±0.05

(0.73)

(1.13)

SECTION A-A

0.73 ±0.05

2.10 ±0.05

SECTION C-C

∅ 1.55 ±0.05

4.00 ±0.10

2.00 ±0.10

1.75 ±0.10

G ±0.10

J ±0.10

13.08	11.50	24.00	2167000609	---	O	60
12.03			2167000549	O	---	54
11.33			2167000509	O	---	50
9.58	9.25	16.00	2167000409	O	---	40
7.83			2167000309	---	O	30
6.78			2167000249	---	O	24
6.08			2167000209	O	---	20
4.33			2167000109	---	O	10
H	J	G	EMBOSSED TAPE PACKAGE	HIGH VOL. TOOL	LOW VOL. TOOL	Ckts
ORDER No.			SAMPLE PREPARATION			
			O : TOOLED □ : WORK PROCESS --- : TOOLING TO BE CONFIRMED			
CONNECTOR SERIES No. : 216700****						

FUNCTIONAL SYMBOLS	THIS DRAWING CONTAINS INFORMATION THAT IS PROPRIETARY TO MOLEX ELECTRONIC TECHNOLOGIES, LLC AND SHOULD NOT BE USED WITHOUT WRITTEN PERMISSION	CURRENT REV DESC:		molex
	DIMENSION UNITS: mm SCALE: 5:1 GENERAL TOLERANCES (UNLESS SPECIFIED): ANGULAR TOL ± 1.0° 4 PLACES ± 0.05 3 PLACES ± 0.05 2 PLACES ± 0.05 1 PLACE ± 0.1 0 PLACES ± 0.2	EC NO: 746141 DRWN: DWLEE02 CHK'D: JHCHANG APPR: JBJIN		
DIVISIONAL SYMBOLS	INITIAL REVISION:		PRODUCT CUSTOMER DRAWING	
	DRWN: JHCHANG APPR: JBJIN		2023/04/13 2023/04/17	DOCUMENT NUMBER: 2167000001-SD DOC TYPE: PSD DOC PART: 001 REVISION: A
DRAFT WHERE APPLICABLE MUST REMAIN WITHIN DIMENSIONS		THIRD ANGLE PROJECTION	DRAWING: A3-SIZE	SHEET NUMBER: 2 OF 2