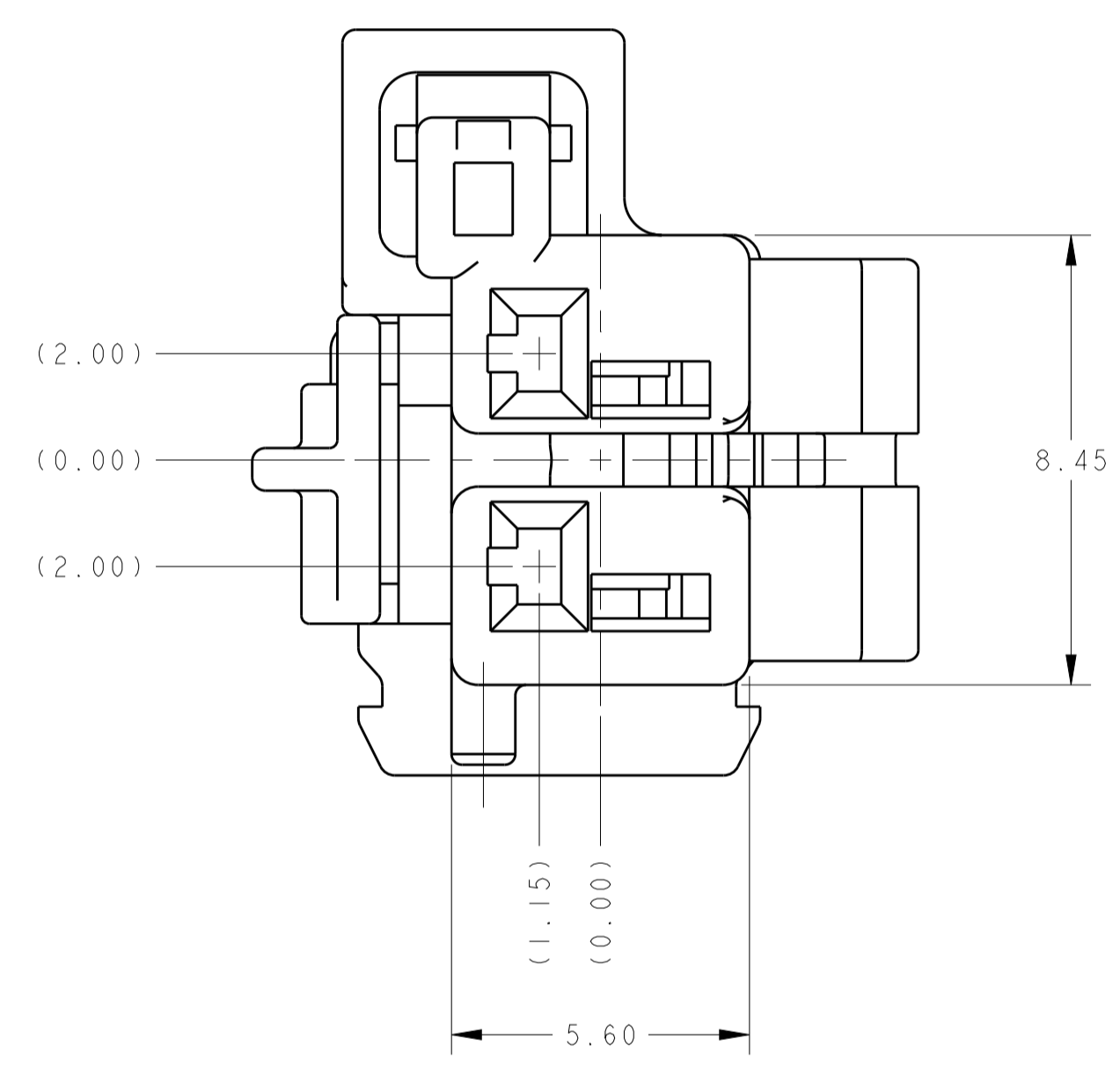
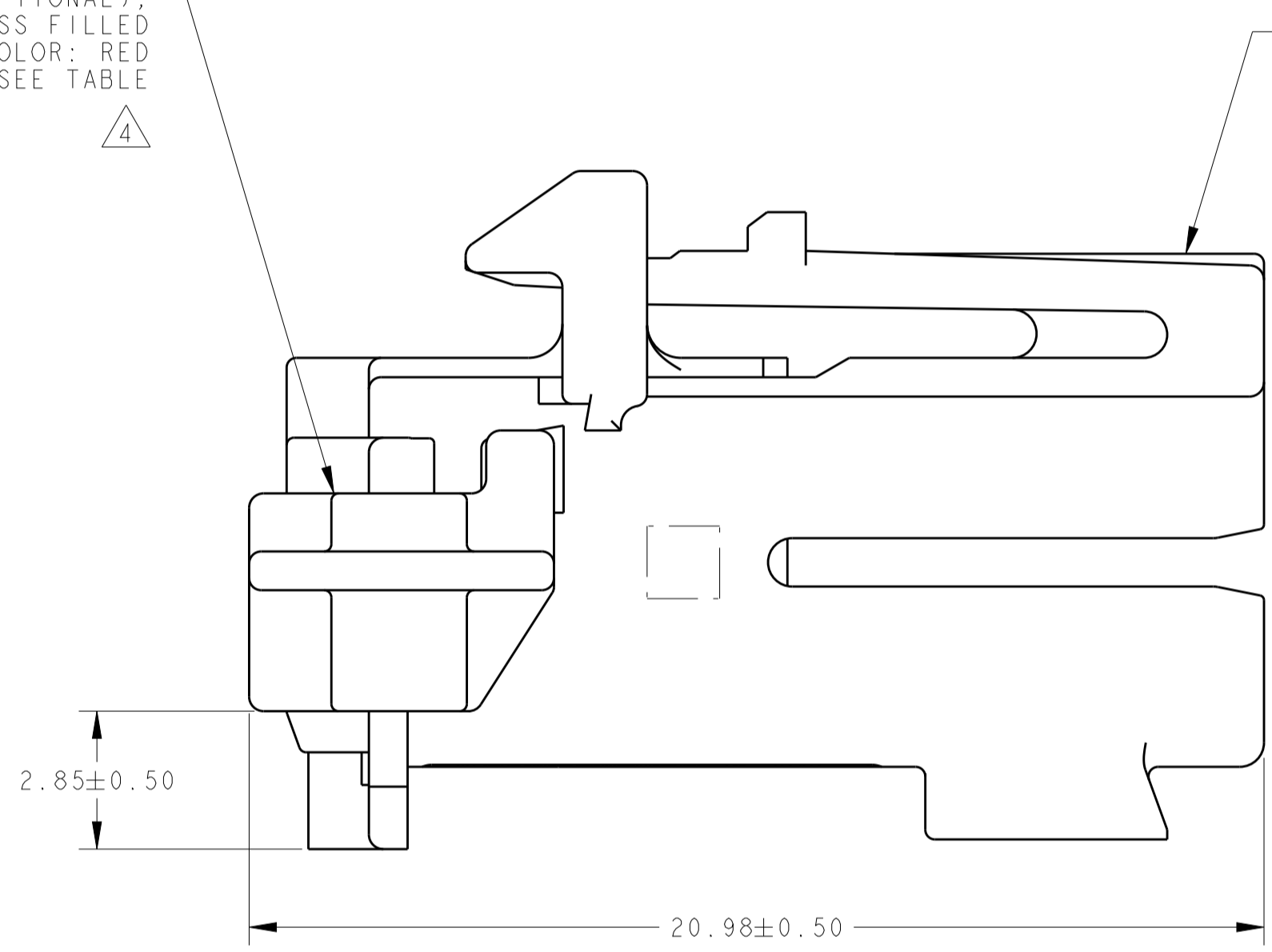
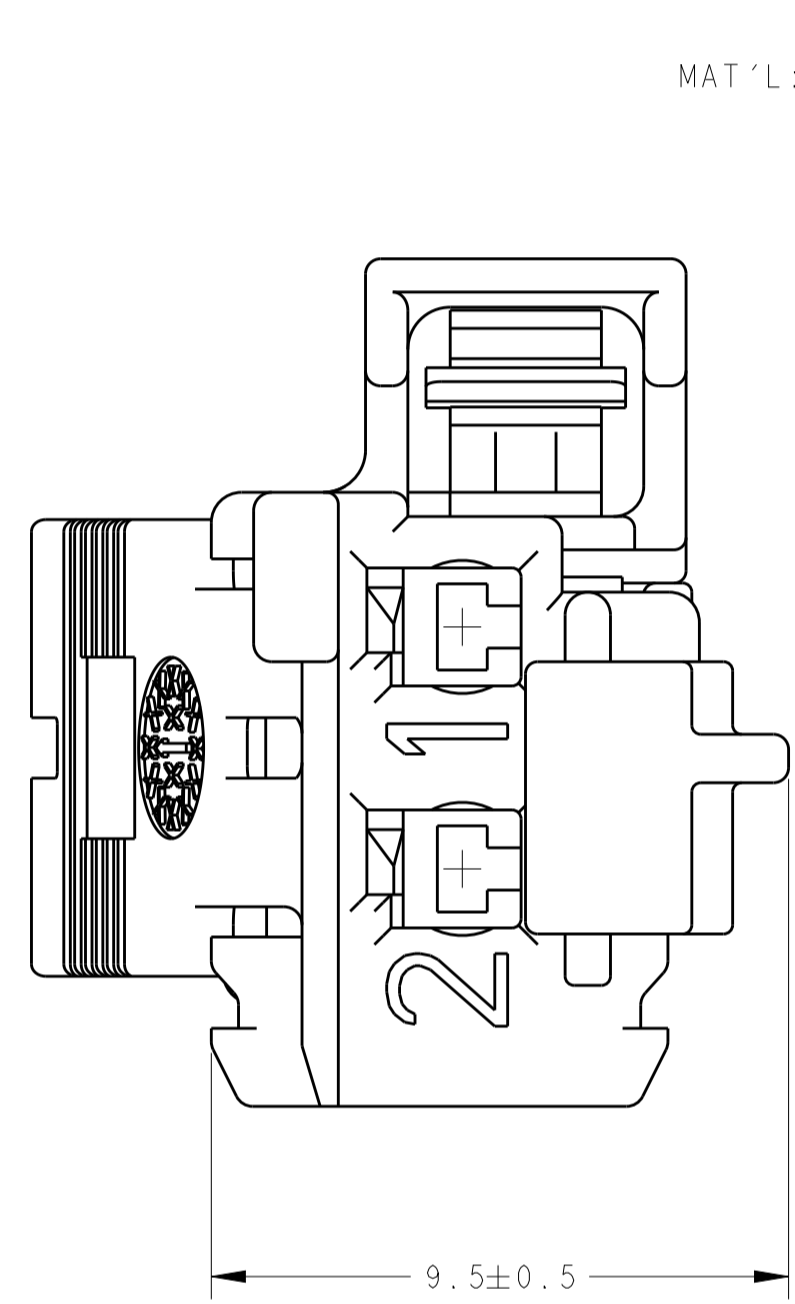
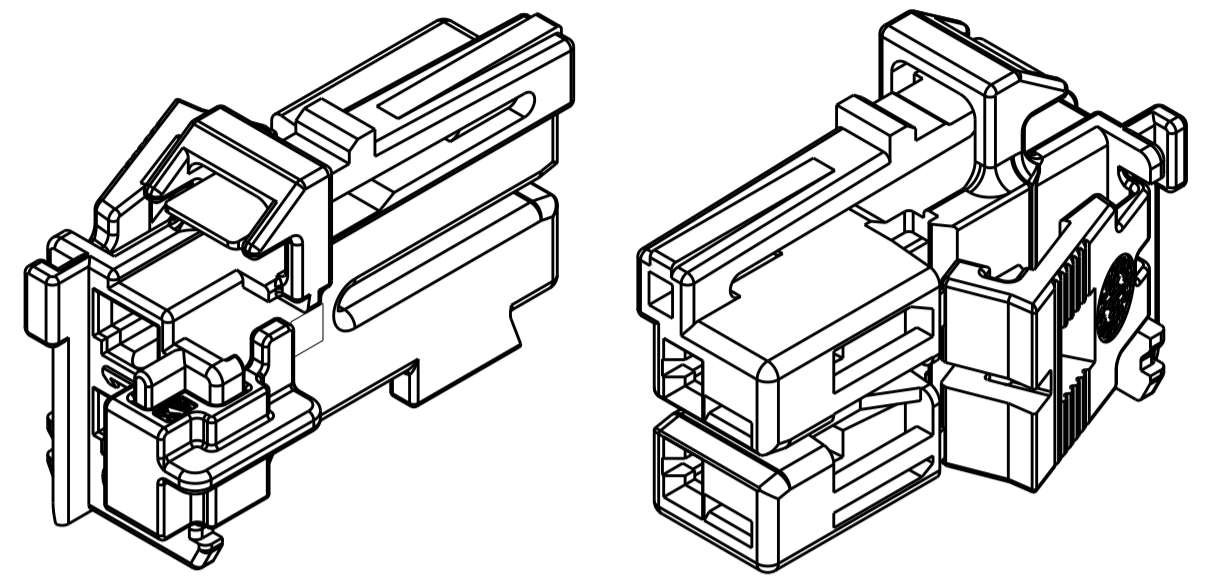
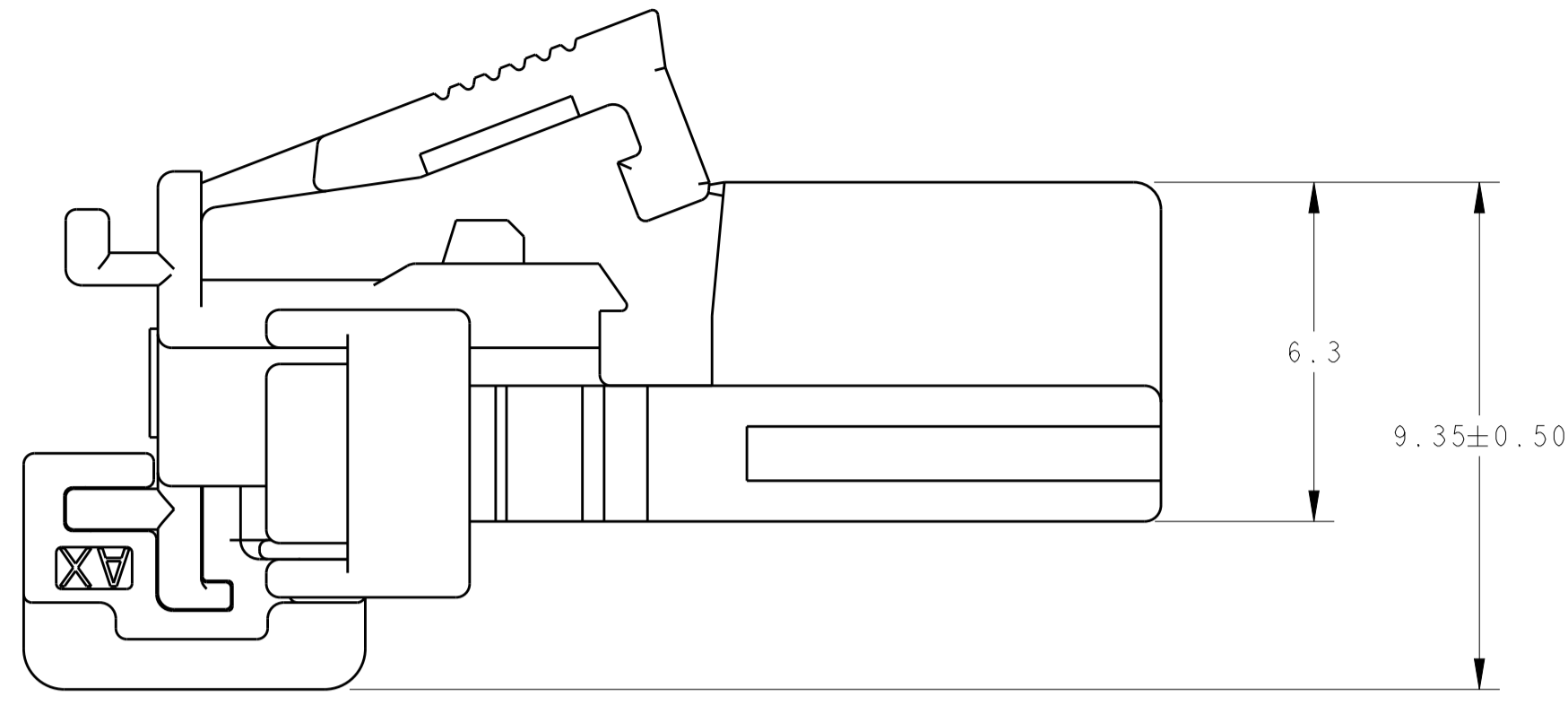
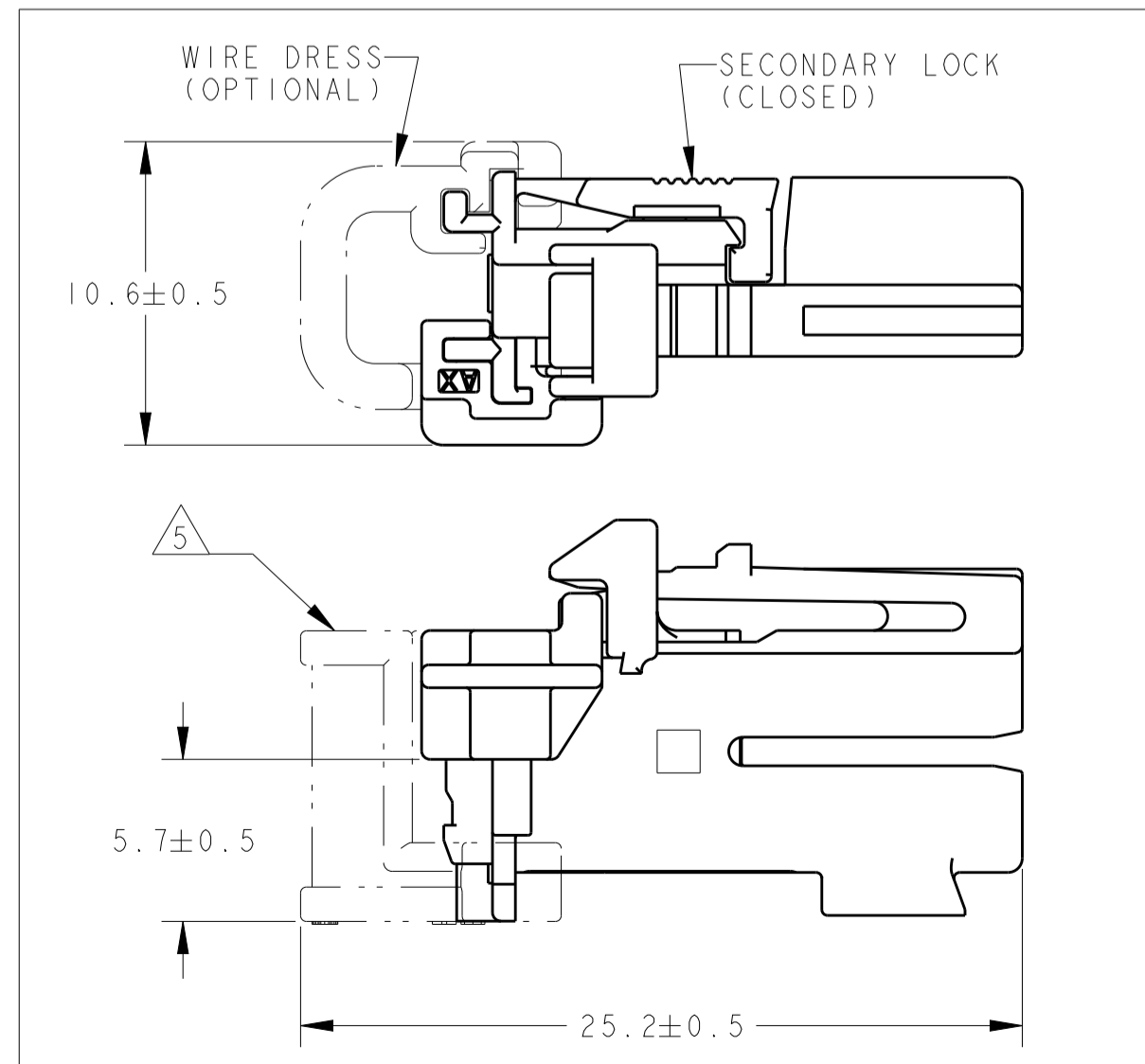


REVISIONS				
P.	LTN.	DESCRIPTION	DATE	APVD.
I		INITIAL DRAWING	24MAY2019	JMS GK
A		INITIAL RELEASE	04DEC2019	CN GK



- 2356394-1 SHOWN IN GENERAL VIEWS.
- PLUG ASSEMBLY WILL ACCEPT THE FOLLOWING TERMINAL PART NUMBERS: 1670144-1 (TIN PLATED) 0.50-0.75mm²
- ASSEMBLY IS SHIPPED WITH SECONDARY LOCK IN THE PRE-LOCK POSITION AS SHOWN, SECONDARY LOCK MAY CLOSE INADVERTENTLY DURING SHIPPING IF THIS OCCURS, RELOCATE SECONDARY LOCK TO THE OPEN POSITION PRIOR TO INSERTION OF TERMINALS.
- CPA SHOWN IN PRE-STAGED, AS SHIPPED, POSITION.
- WIRE DRESS COVER IS NOT PART OF ASSEMBLY. IT IS SOLD AS A SEPARATE SALEABLE ITEM AS PART NUMBER 2203698-1.



CPA AND SECONDARY LOCK IN CLOSED POSITION WITH OPTIONAL WIRE DRESS (P/N 2203698-1)
SCALE 4:1

HOUSING COLOR	CPA QTY	KEYING OPTION	PART NUMBER
GRAY	NA	D	2356394-8
GREEN	NA	C	2356394-7
BLUE	NA	B	2356394-6
NATURAL (BROWN)	NA	A	2356394-5
GRAY	I	D	2356394-4
GREEN	I	C	2356394-3
BLUE	I	B	2356394-2
NATURAL (BROWN)	I	A	2356394-1

THIS DRAWING IS A CONTROLLED DOCUMENT.

TE Connectivity

NAME: PLUG ASSEMBLY
2 POSN, 1.2mm MCON

SIZE: A1
SCALE: 8:1

RESTRICTED CUSTOMER