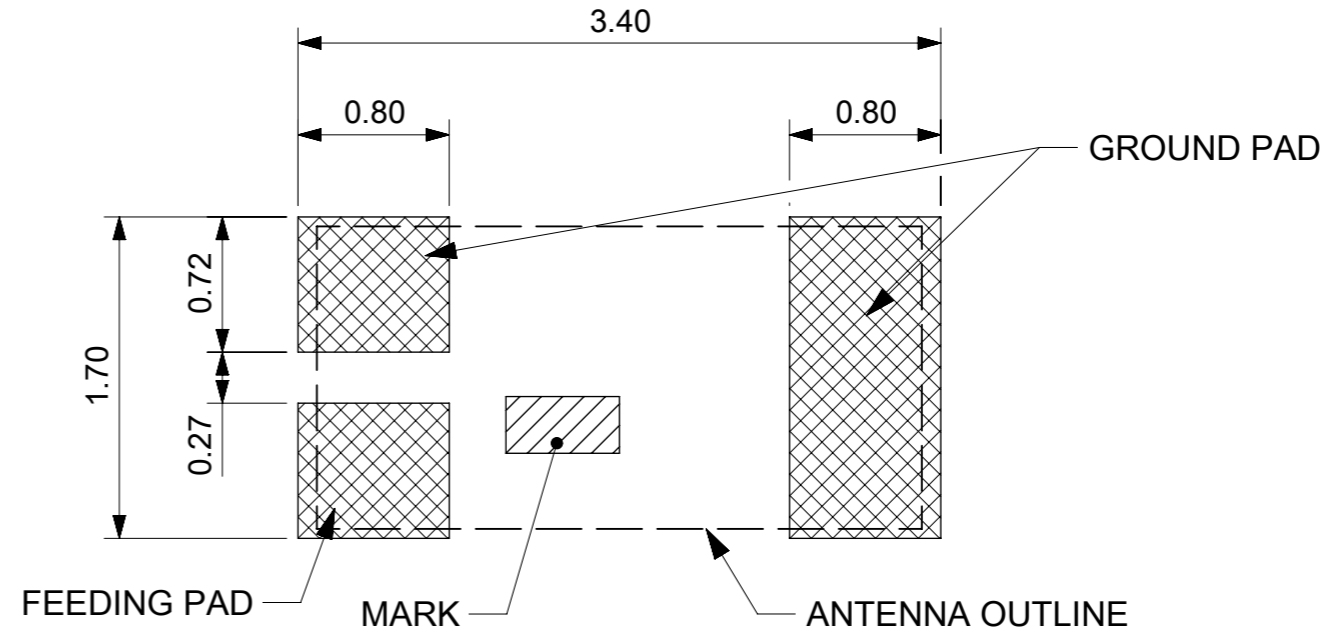
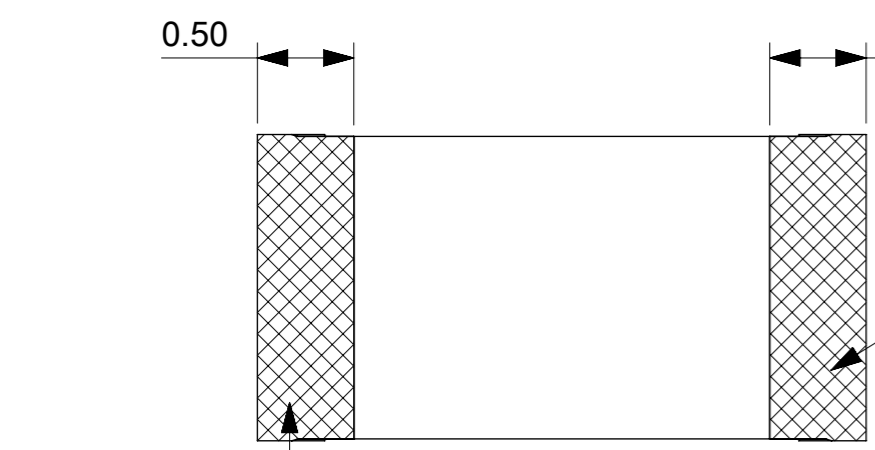
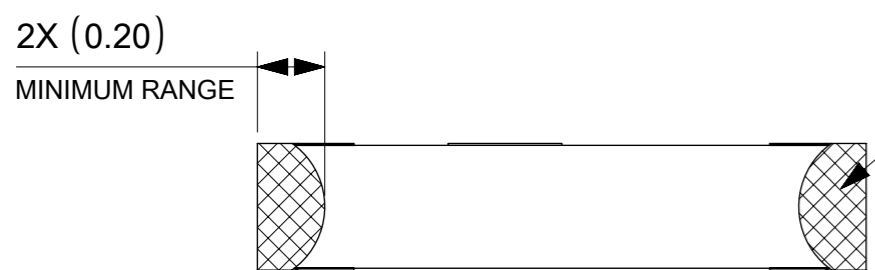
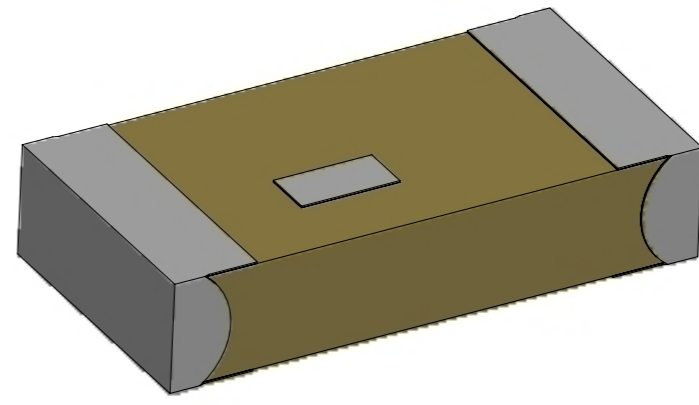
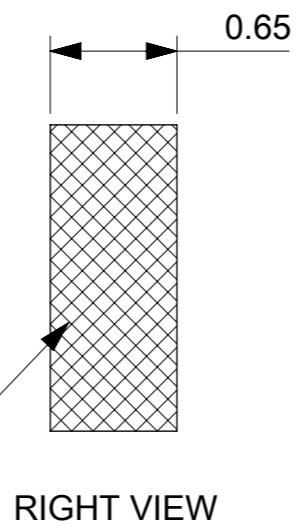
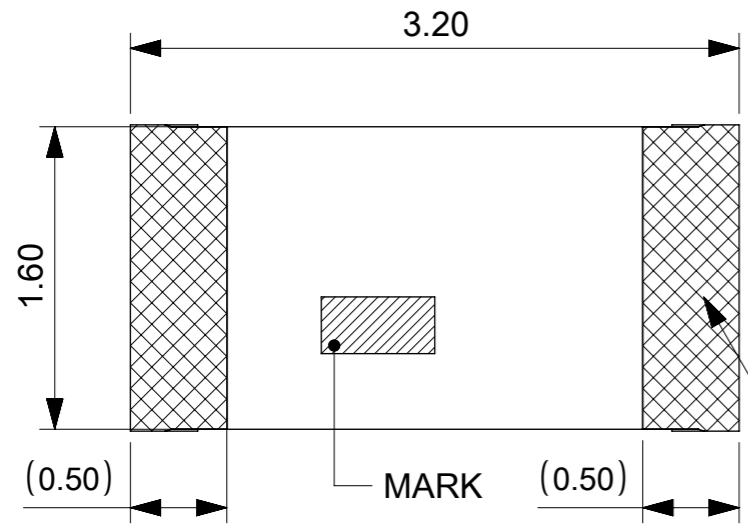


| REV | DATE       | DESCRIPTION               |
|-----|------------|---------------------------|
| A   | 2020/09/17 | NEW RELEASE               |
| A1  | 2020/11/26 | ADD SIDE VIEW INFORMATION |



- NOTES:
1. MATERIAL: CERAMIC
  2. ALL HATCHED AREA ARE SILVER AND NI/TIN PLATING LAYER;
  3. THE SIDE EXTERNAL PATTERN IS CURVED, WHICH DOES NOT AFFECT THE ANTENNA PERFORMANCE.
  4. PACKAGE SPEC. REFER TO PK OF 2156340001.
  5. PRODUCT SPEC. REFER TO PS OF 2156340001.
  6. APPLICATION SPEC. REFER TO AS OF 2156340001.

|  |   |         |                   |                 |                          |
|--|---|---------|-------------------|-----------------|--------------------------|
| FUNCTIONAL SYMBOLS                                   | THIS DRAWING CONTAINS INFORMATION THAT IS PROPRIETARY TO MOLEX ELECTRONIC TECHNOLOGIES, LLC AND SHOULD NOT BE USED WITHOUT WRITTEN PERMISSION |         | CURRENT REV DESC: |                 | <b>molex</b>             |
|  | GENERAL TOLERANCES (UNLESS SPECIFIED)   | SCALE   | EC NO: 650158     |                 |                          |
| ANGULAR TOL  | mm  | 20:1    | DRWN: KCHENG06    |                 | PRODUCT CUSTOMER DRAWING |
| 4 PLACES ±   |   |         | 2020/11/26        |                 |                          |
| 3 PLACES ± 0.15                                      |   |         | 2020/12/01        |                 |                          |
| 2 PLACES ± 0.2                                       |   |         | 2020/09/25        |                 |                          |
| 1 PLACE ± 0.25                                       |   |         | INITIAL REVISION: |                 |                          |
| 0 PLACES ± 0.3                                       |   |         | DRWN: KCHENG06    |                 |                          |
| DRAFT WHERE APPLICABLE MUST REMAIN WITHIN DIMENSIONS | THIRD ANGLE PROJECTION  | DRAWING | SERIES            | MATERIAL NUMBER | DOCUMENT NUMBER          |
|  |   | A3-SIZE | 215634            | 2156340001      | 2156340001               |
|  |   |         |                   | CUSTOMER        | DOC TYPE                 |
|  |   |         |                   | GENERAL MARKET  | PSD                      |
|  |   |         |                   |                 | DOC PART                 |
|  |   |         |                   |                 | 000                      |
|  |   |         |                   |                 | REVISION                 |
|  |   |         |                   |                 | A1                       |
|  |   |         |                   |                 | SHEET NUMBER             |
|  |   |         |                   |                 | 1 OF 1                   |