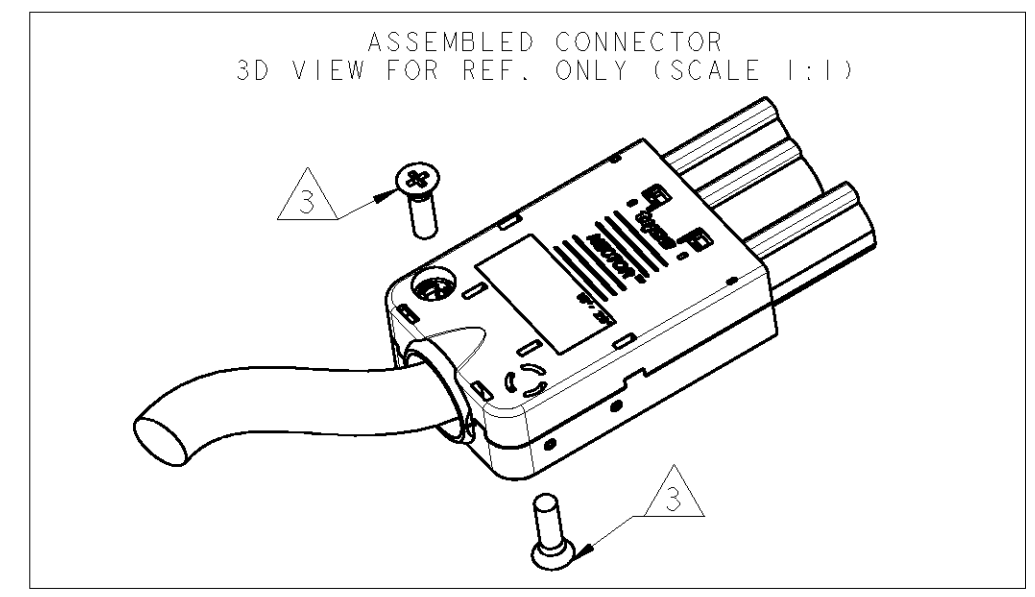
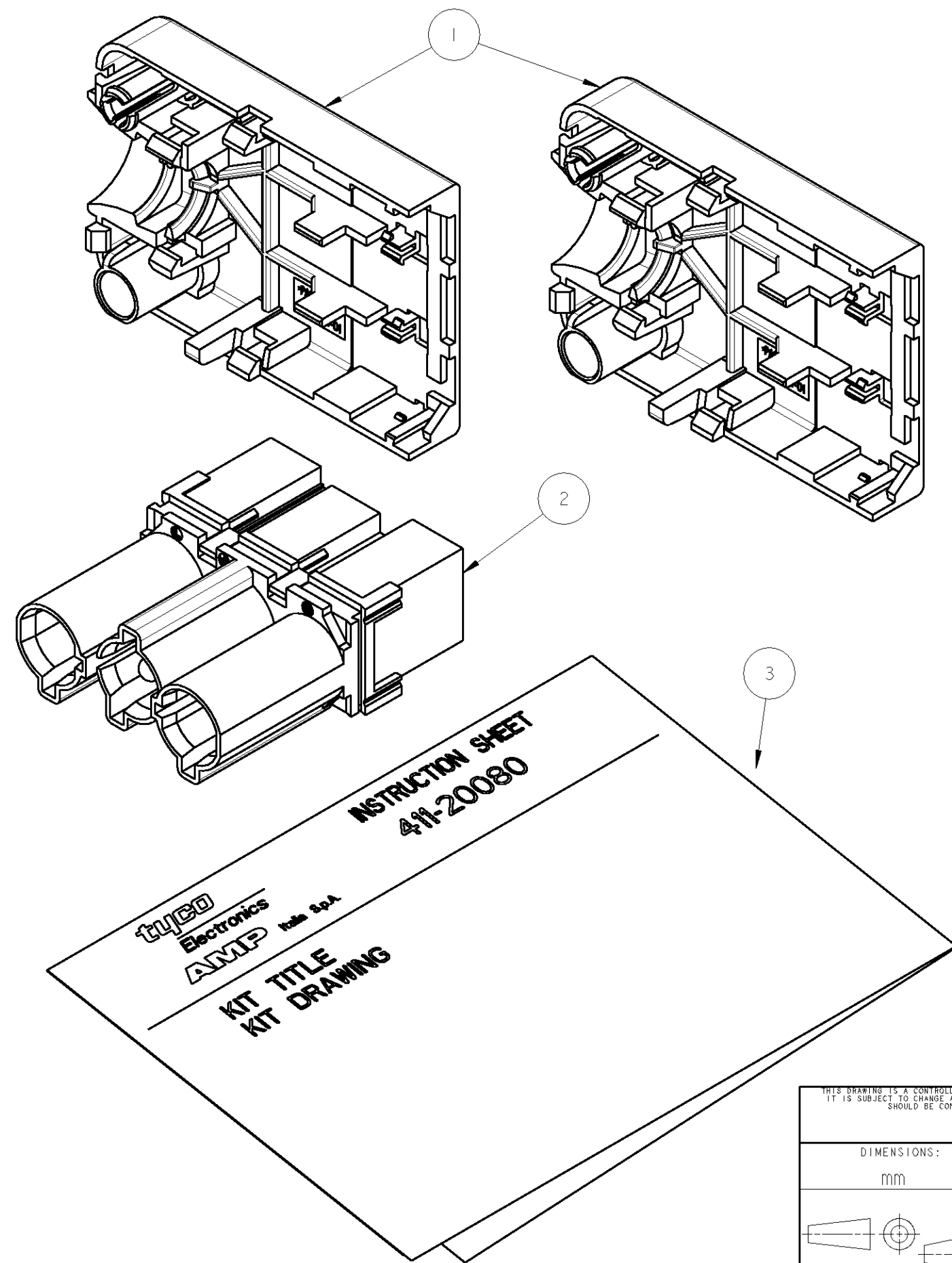


THIS DRAWING IS UNPUBLISHED. RELEASED FOR PUBLICATION 2006
 © COPYRIGHT 2006 BY TYCO ELECTRONICS CORPORATION, ALL RIGHTS RESERVED.

LOC	DIST	REVISIONS				
P	LTR	DESCRIPTION	DATE	DWN	APVD	
-	-	0	FIRST ISSUE	03FEB2006	UA	GT



NOTES:

- 1) PACKAGING ACCORDING TO TYCO SPECIFICATION 107-20255
- 2) INSTRUCTION-SHEET 411-20080 SHOWS ASS'Y OPERATION FOR END USER
- 3) OPTIONAL SCREWS M3 x 12 - NOT INCLUDED INTO THE KIT - (SCREWS ACCORDING TO: "UNI 9709" OR "UNI 9707" OR "UNI 10228" OR "UNI 10227")

Q.TA	PER ASSEMBLATO	DESCRIPTION	ITEM
1	1	2 TYCO INSTRUCTION SHEET	3
1	-	TYCO NECTOR* 3 POS. RECPT. CONN. SPRING CLAMP TERM. (WHITE VERSION)	2
-	1	TYCO NECTOR* 3 POS. RECPT. CONN. SPRING CLAMP TERM. (BLACK VERSION)	2
2	-	TYCO NECTOR* HERMAPHRODITE HALF SHELL FOR 3 POS. CONN.S. (WHITE VERSION)	1
-	2	TYCO NECTOR* HERMAPHRODITE HALF SHELL FOR 3 POS. CONN.S. (BLACK VERSION)	1
-2	-1	DESCRIPTION	ITEM
0	0	REVISION OF EACH ASS'Y N.	
Q.TA PER ASSEMBLATO (Q.TY REG 0 PER ASSY)		PART LIST	

THIS DRAWING IS A CONTROLLED DOCUMENT FOR TYCO ELECTRONICS CORPORATION IT IS SUBJECT TO CHANGE AND THE CONTROLLING ENGINEERING ORGANIZATION SHOULD BE CONTACTED FOR THE LATEST REVISION.

DIMENSIONS:	TOLERANCES UNLESS OTHERWISE SPECIFIED:
mm	0 PLC ±
	1 PLC ±
	2 PLC ±
	3 PLC ±
	4 PLC ±
	ANGLES ±
MATERIAL	FINISH -

DWN	U.A.I.M.E.	03FEB2006	AMP Italia S.p.A. C.so F.lli Cervi 15 Collegno (TO)
CHK	U.A.I.M.E.	03FEB2006	
APVD	G.TURCO	03FEB2006	
PRODUCT SPEC			NAME TYCO NECTOR* 3 POS. RECPT CONN. SPRING CLAMP TERM. KIT FOR HERMAPHR. SHELL
APPLICATION SPEC			
WEIGHT	-		RESTRICTED TO
CUSTOMER DRAWING		SCALE 2:1	SHEET 1 OF 1
SIZE	CAGE CODE	DRAWING NO	REV 0
A3	00779	C=293100	