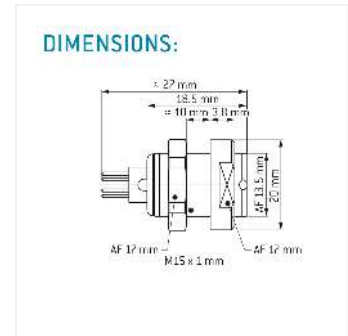
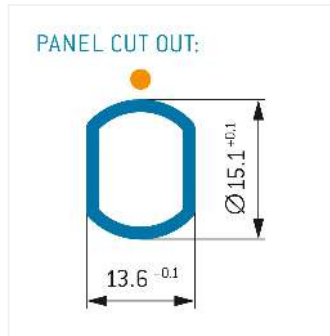
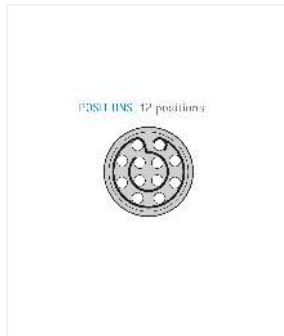
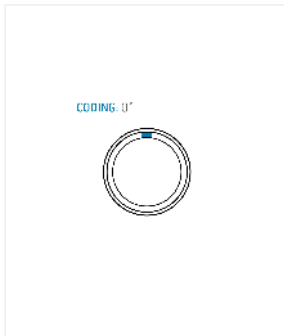


**G52LOC-P12LFG0-0000**  
**series\_l, type\_g5**



**General information**

|                          |                     |
|--------------------------|---------------------|
| <b>Part number</b>       | G52LOC-P12LFG0-0000 |
| <b>Termination</b>       | solder              |
| <b>Size</b>              | 2                   |
| <b>Locking principle</b> | break , push        |
| <b>Coding</b>            | 0_key               |



**Contact insert description**

|                             |         |
|-----------------------------|---------|
| <b>Number of contacts</b>   | 12      |
| <b>Contact type</b>         | sockets |
| <b>Contact diameter</b>     | 07mm    |
| <b>Insulator material</b>   | peek    |
| <b>Wire cross section</b>   | 22_awg  |
| <b>Termination</b>          | solder  |
| <b>Termination diameter</b> | 085mm   |

reverse\_gender\_on\_request

**Technical information**

|   |          |               |
|---|----------|---------------|
| <b>Max. creepage and air clearance distance</b> | 08_mm    | 11_mm         |
| <b>Nominal current single contact</b>           | 075_a    | iec_60512_5_2 |
| <b>Nominal current insert</b>                   | 4,125 A  | vde_0298_4    |
| <b>Test voltage</b>                             | 12_kv_ac | sae_13441     |

safety\_text

**Mechanical and environmental data**

|                              |          |
|------------------------------|----------|
| <b>Degree of protection*</b> | ip50     |
| <b>Operating temperature</b> | 40_120_c |
| <b>Mating cycles</b>         | 5000     |

mated\_unmated

## Material and surface treatments

|                |               |
|----------------|---------------|
| <b>Housing</b> | m_chrome      |
| <b>Contact</b> | cu_alloy_gold |

safety\_text\_2  
ul\_text  
illustrative\_text