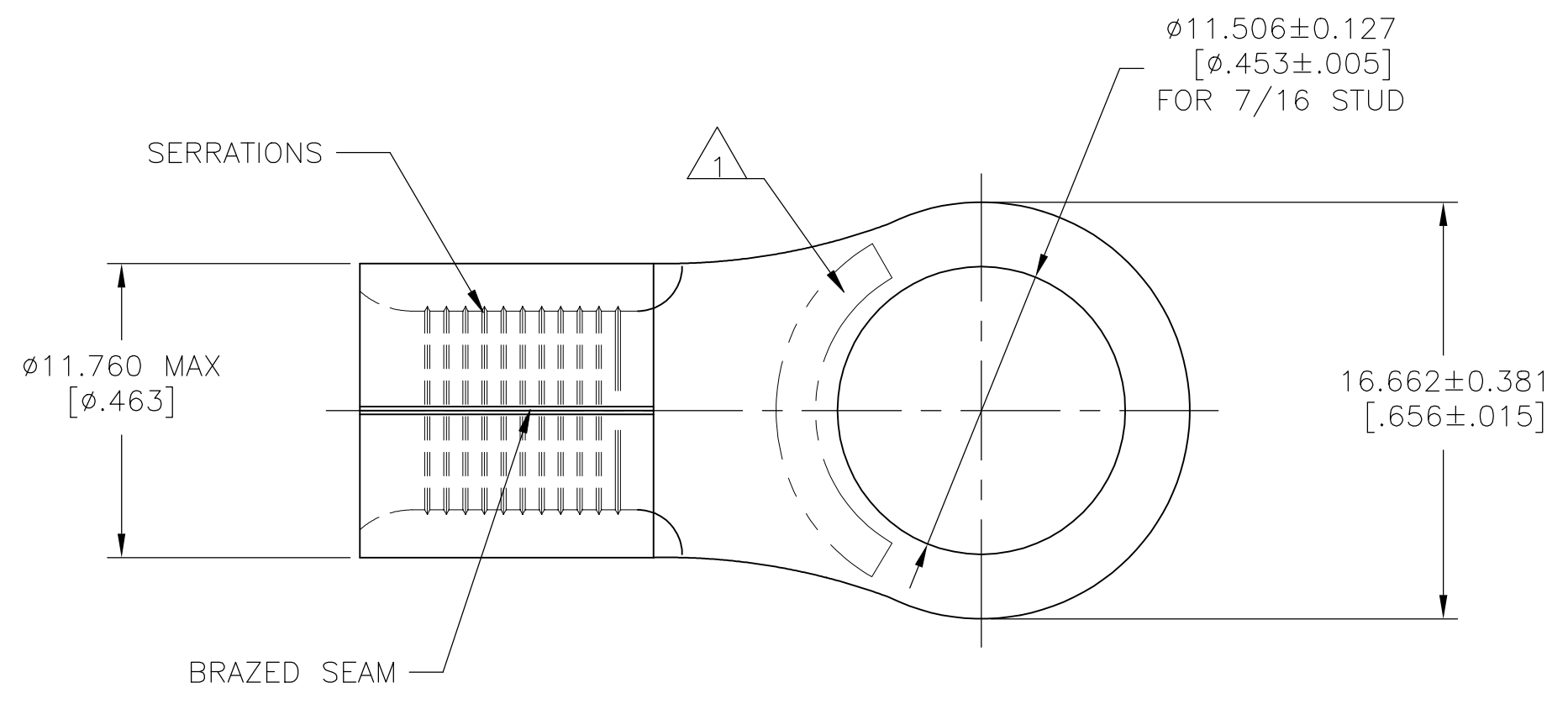


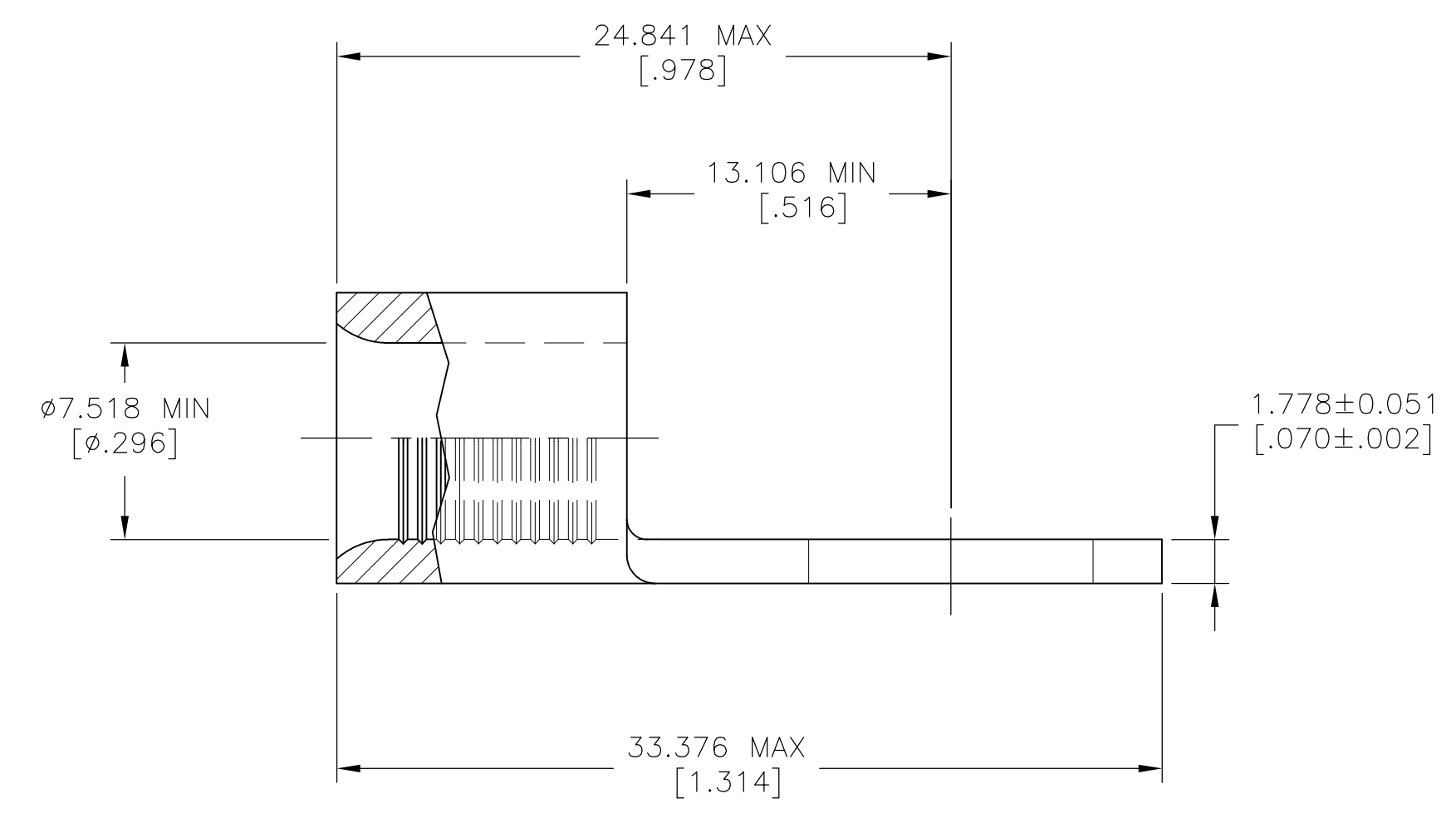
THIS DRAWING IS UNPUBLISHED. RELEASED FOR PUBLICATION
 © COPYRIGHT - TE Connectivity Ltd. ALL RIGHTS RESERVED.

REVISIONS					
P	LTR	DESCRIPTION	DATE	DWN	APVD
	F	REVISED PER ECR-09-020122	24SEP09	HMR	TM
	F1	REVISED PER ECO-17-008806	16FEB2018	RS	DR



AMP WIRE RANGE	UL Listed FILE E13288	LR7189 Certified
4 AWG SOLID OR STRANDED	4 AWG STRANDED	4 AWG SOLID OR STRANDED

- 1 STAMP AMP 4* APPROX AS SHOWN
- 2 TIN PLATE 0.00254 [.000100] MIN THK PER ASTM B-545
- 3 NOTE DELETED
- 4 COPPER PER ASTM B-152, ANNEALED
- 5 NOTE DELETED



100	LOOSE PIECE	2	320743
QTY	PACKAGE TYPE	FINISH	PART NO.

AMP INCORPORATED CUSTOMER SERVICE SYSTEMS			THIS DRAWING IS A CONTROLLED DOCUMENT.		DWN TA BRINKMAN 3-29-93 CHK DA PATTERSON 3-29-93 APVD JL MECKLEY 3-29-93		TE TE Connectivity Ltd.				
FOR ADDITIONAL PRODUCT INFORMATION OR COPIES OF DRAWINGS AND TECHNICAL DOCUMENTS PRODUCT INFORMATION CENTER 1-800-522-6752	FOR APPLICATION TOOLING ASSISTANCE CENTER TOOLING INFORMATION 1-800-722-1111	FOR ORDER ENTRY 1-800-526-5142	MAX RECOMMENDED OPERATING TEMPERATURE: 170°C [338°F] MAX VOLTAGE RATING: NOT APPLICABLE WIRE CROSS SECTIONAL AREA RANGE, 16.8-26.7mm ² [33,100-52,600] CIR MILS SOLID OR STRANDED	DIMENSIONS: mm [INCHES]	TOLERANCES UNLESS OTHERWISE SPECIFIED: 0 PLC ± - 1 PLC ± - 2 PLC ± - 3 PLC ± 0.127[.005] 4 PLC ± - ANGLES ± -	PRODUCT SPEC UL 486 A-B APPLICATION SPEC	NAME TERMINAL, RING, TONGUE, SOLISTRAND 4 AWG	SIZE A2	CAGE CODE 00779	DRAWING NO 320743	RESTRICTED TO -
			MATERIAL - 4	FINISH SEE TABLE	WEIGHT -	CUSTOMER DRAWING	SCALE 4:1	SHEET 1 OF 1	REV F1		