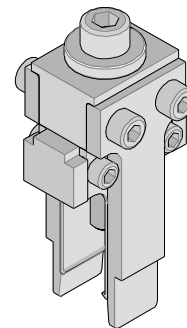




# Z-Power Extraction Tool Instruction Sheet Order No. 62100-5300



## FEATURES

- Lightweight tool used in the Extraction a Z-Power Module in a PCB
- Removes connector without damage to the board

## SCOPE

Products: Z-Power 76001 Series. See Product List below for specific application tools.

## Product List

The following is a partial list of the product order numbers and their specifications this tool is designed to run. Updates to this list are available on [www.molex.com](http://www.molex.com).

Assembly Order Number	Description
76001-0006	Z-Power 6 Tail Assembly
76001-0010	Z-Power 10 Tail Assembly

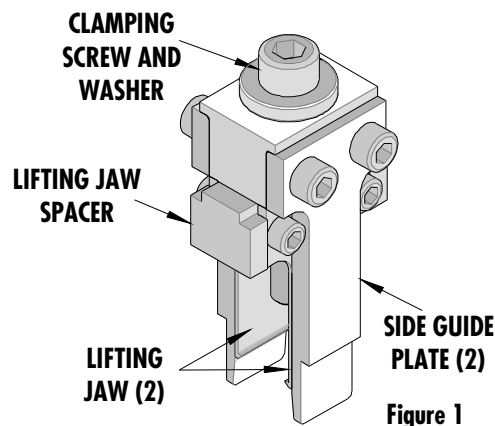


Figure 1

## DESCRIPTION

The following Instructions are used for removing a Z-Power Module from a PCB.

## Operation

**Note:** Be sure that all parts of the extraction tool will clear any components on the printed circuit board during use. Tape may also be placed over circuit traces or on the bottom of the extraction tool side guide plates for added protection of the printed circuit board.

1. Turn the #10-32 SHCS counter-clockwise (CCW) until half the lifting jaws are exposed below the side guide plates. Continue turning the #10-32 SHCS so the lifting jaw spacer is parallel to the power module. See Figure 2.

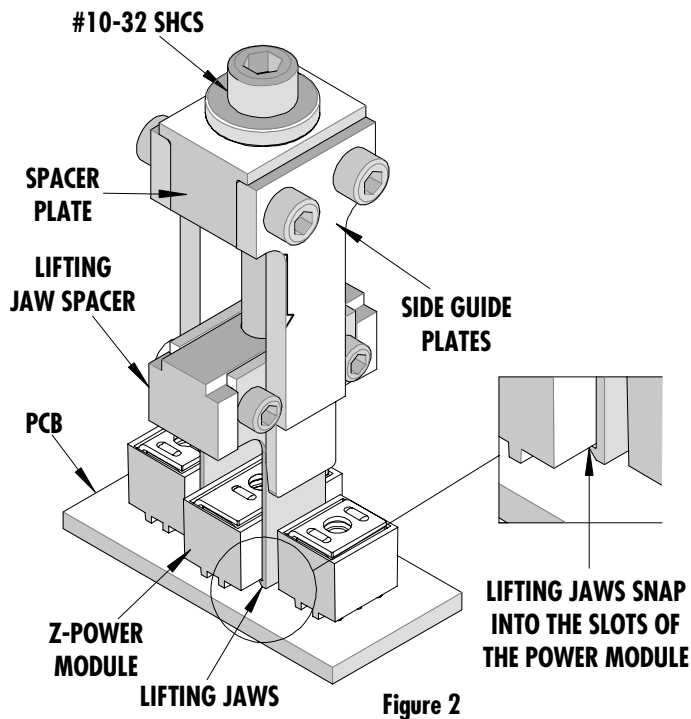


Figure 2

- Slide the lifting jaws down over the power module until the lifting jaws lock onto the slots at the base of the power module.

**Note:** The lifting jaws must snap into the slots of the power module so it can be lifted off the printed circuit board.

- Turn the #10-32 SHCS clockwise (CW) until the extraction tool side guide plates contact the printed circuit board. Continue turning the #10-32 SHCS so the lifting jaw spacer is parallel to the power module. See Figure 3.
- Continue turning the #10-32 SHCS until the power module is removed from the printed circuit board. See Figure 4.

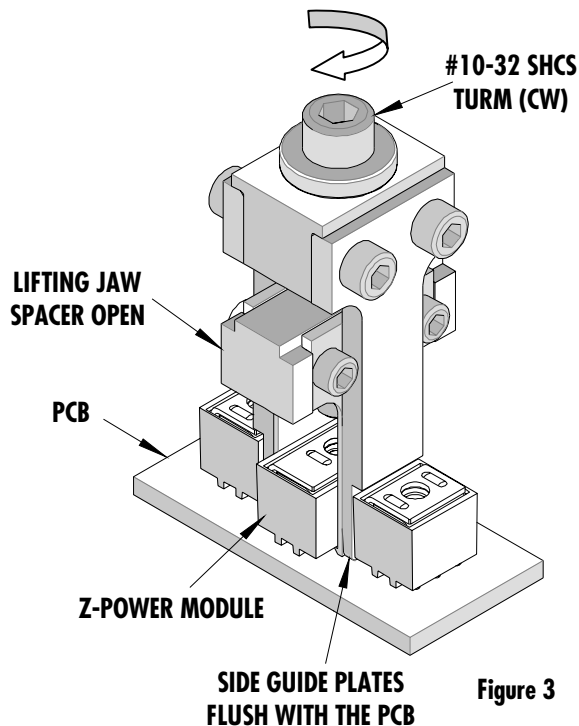


Figure 3

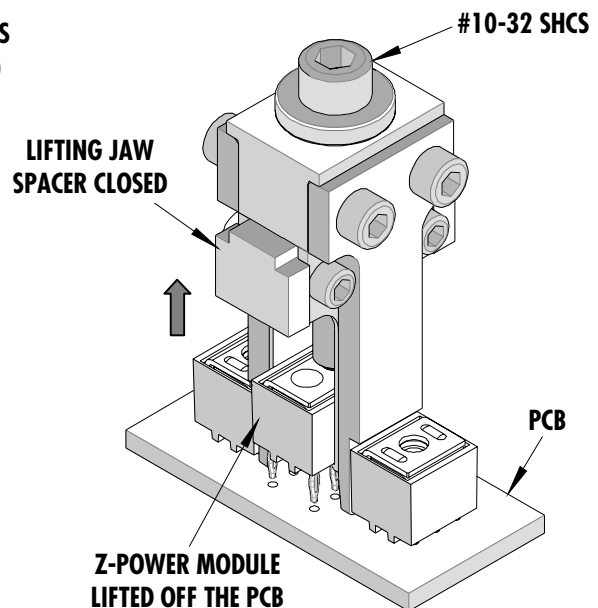


Figure 4

- Move the extraction tool away from the printed circuit board, then remove the power module from the extraction tool by turning the extraction tool on its side and slide the power module out.

## Maintenance

It is recommended that each operator of the tool be made aware of, and responsible for, the following maintenance steps:

- Remove dust, moisture, and other contaminants with a clean brush, or soft, lint free cloth.
- Do not use any abrasive materials that could damage the tool.
- Make certain all pins; pivot points and bearing surfaces are protected with a thin coat of high quality machine oil. Do not oil excessively.
- When tool is not in use, store in a clean, dry area.

**CAUTION:** Molex specifications are valid only when used with Molex terminals, applicators and tooling.

## PARTS LIST

Item	Order No	Description	Quantity
	<b>62100-5300</b>	<b>Extraction Tool for Z-Power</b>	<b>(Figure 5)</b>
1	62100-5301	Spacer Plate	1
2	62100-5303	Lifting Jaw Spacer	1
3	62100-5306	Lifting Jaw	2
4	62100-5308	Side Guide Plate	2
5	N/A	#10 Washer Hardened	1**
6	N/A	#4-40 by 3/16" Long SHCS	4**
7	N/A	#6-32 by 5/16" Long SHCS	4**
8	N/A	#10-32 by 1-3/8" Long SHCS	1**

\*\* Available from an industrial supply company such as MSC (1-800-645-7270).

## Assembly Drawing

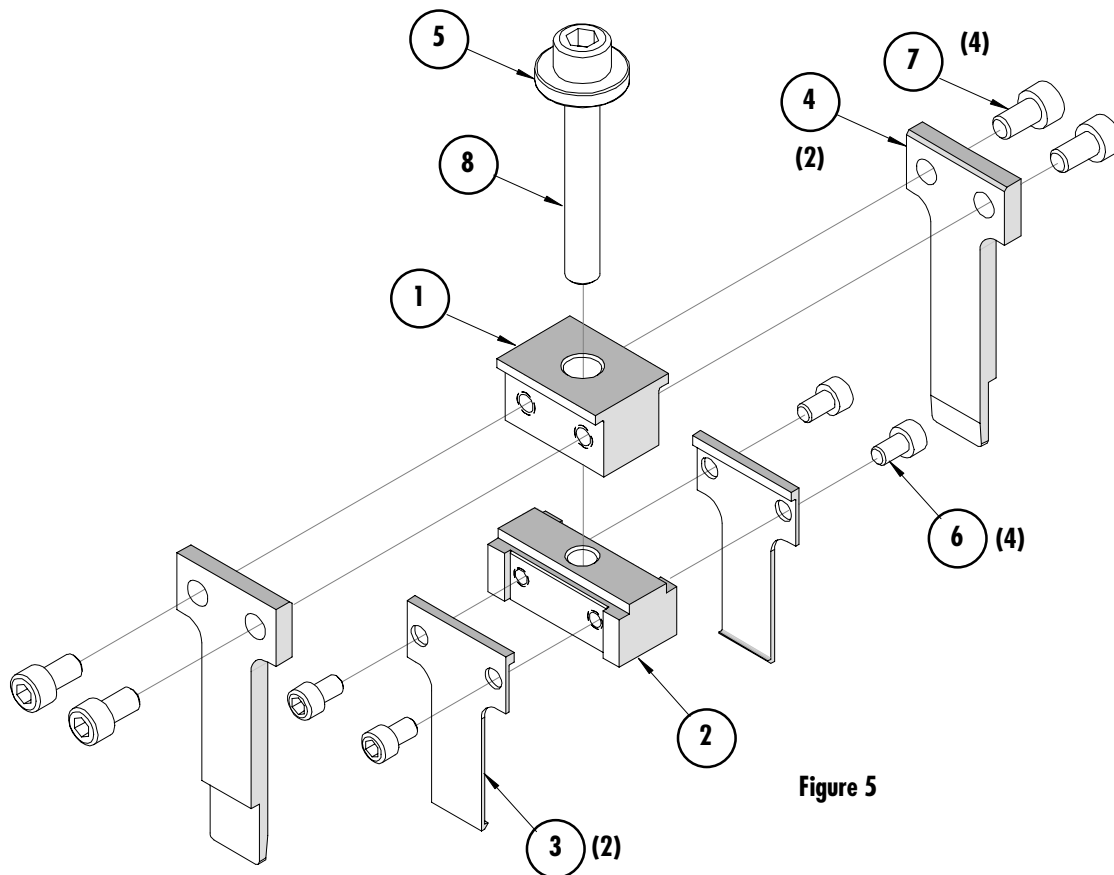


Figure 5

**Americas Headquarters**  
 Lisle, Illinois 60532 U.S.A.  
 1-800-78MOLEX  
 amerinfo@molex.com

**Far East North Headquarters**  
 Yamato, Kanagawa, Japan  
 81-462-65-2324  
 feninfo@molex.com

**Far East South Headquarters**  
 Jurong, Singapore  
 65-6-268-6868  
 fesinfo@molex.com

**European Headquarters**  
 Munich, Germany  
 49-89-413092-0  
 eurinfo@molex.com

**Corporate Headquarters**  
 2222 Wellington Ct.  
 Lisle, IL 60532 U.S.A.  
 630-969-4550  
 Fax: 630-969-1352

Visit our Web site at <http://www.molex.com>