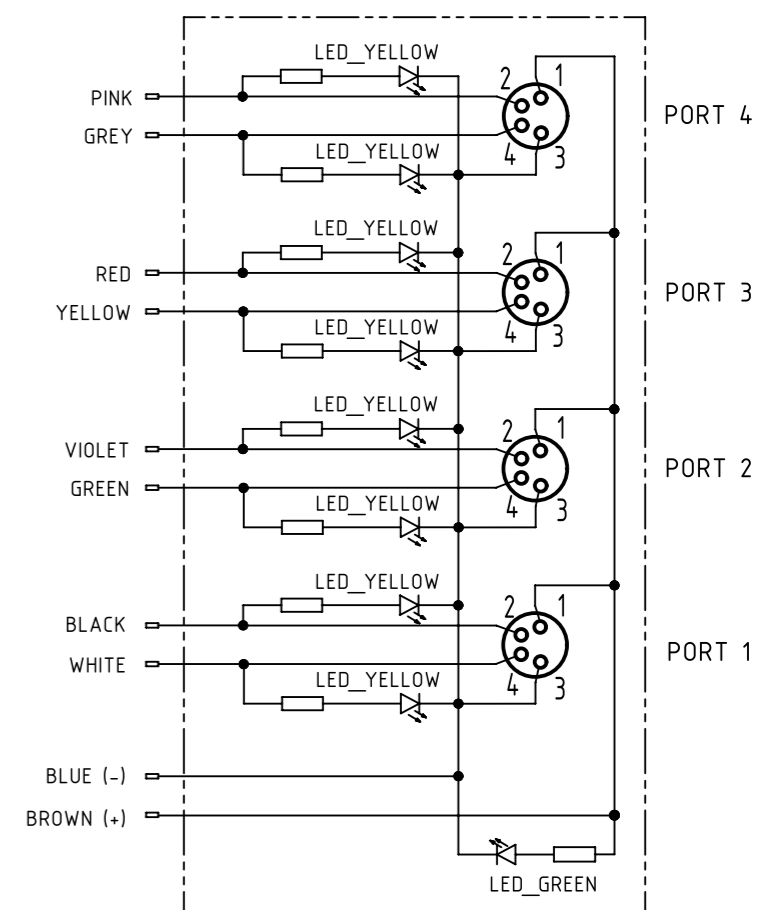


Loading plan



- Protection level: IP67
 - Temperature range: -25°C ... +85°C

Electrical data:
 -Rated voltage: 15-30V DC
 -Nominal: 2 A per Contact
 -Current: 6 A max total

| | | | |
|----------|------------------|-------------------------------|-----------|
| 6 | 090700101150 | PVC, 2xAWG20 + 8xAWG24, black | 10 |
| 5 | 090700101151 | | 5 |
| 4 | 090700101153 | | 2 |
| 3 | 090700101100 | PUR, 2xAWG20 + 8xAWG24, black | 10 |
| 2 | 090700101101 | | 5 |
| 1 | 090700101103 | | 2 |
| Cont. no | HARTING part no. | Type of cable | Dim. a[m] |

| | | | | | | |
|---|---------------------|--------------------------------------|----------------------------------|--|--------------------|------------------------|
| | All rights reserved | Created by STOCHECIC Stocheici | Inspected by COSTEA Costea | Standardisation MUNTEANV Muntean | Date 2020-06-16 | State Final Release |
| | Department HCS - RO | Title har-SAB M8/4/4p PAC | | Doc-Key / ECM-Nr. 100689718/UGD/000/F 500000174539 | | Rev. F |
| HARTING Customised Solutions D-32339 Espelkamp | | Type TB | Number 0907001011XX | | Page 1/1 | |