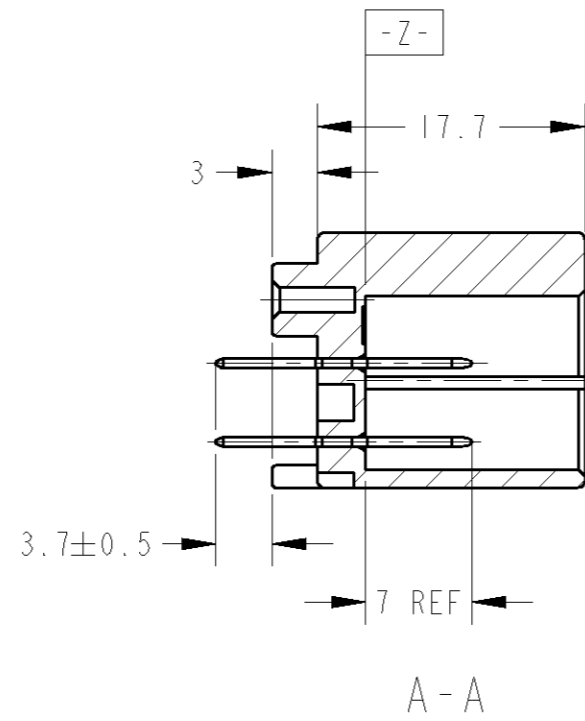
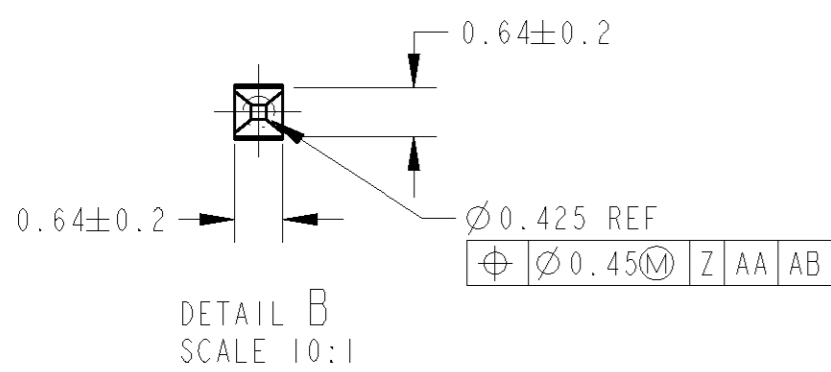
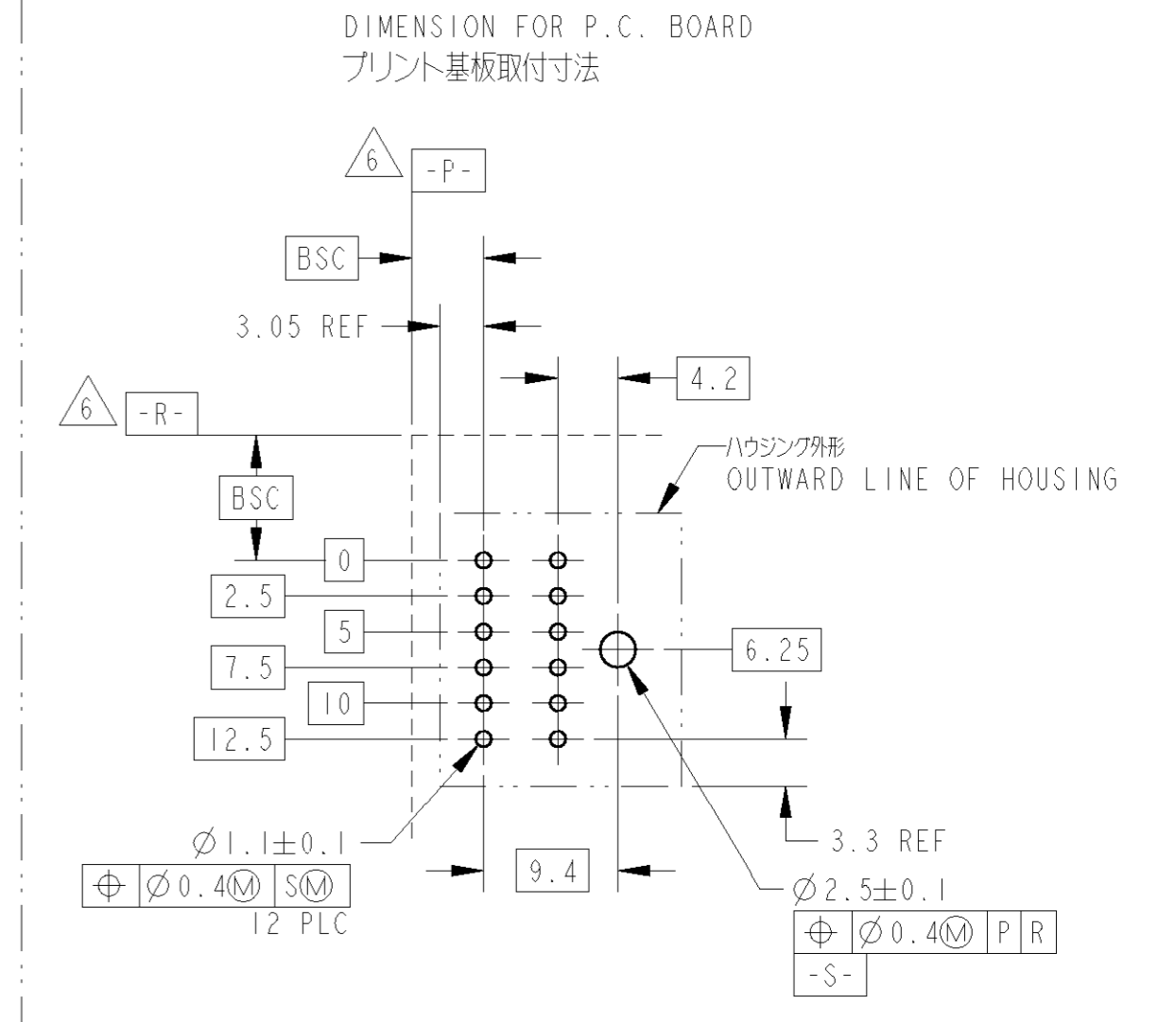
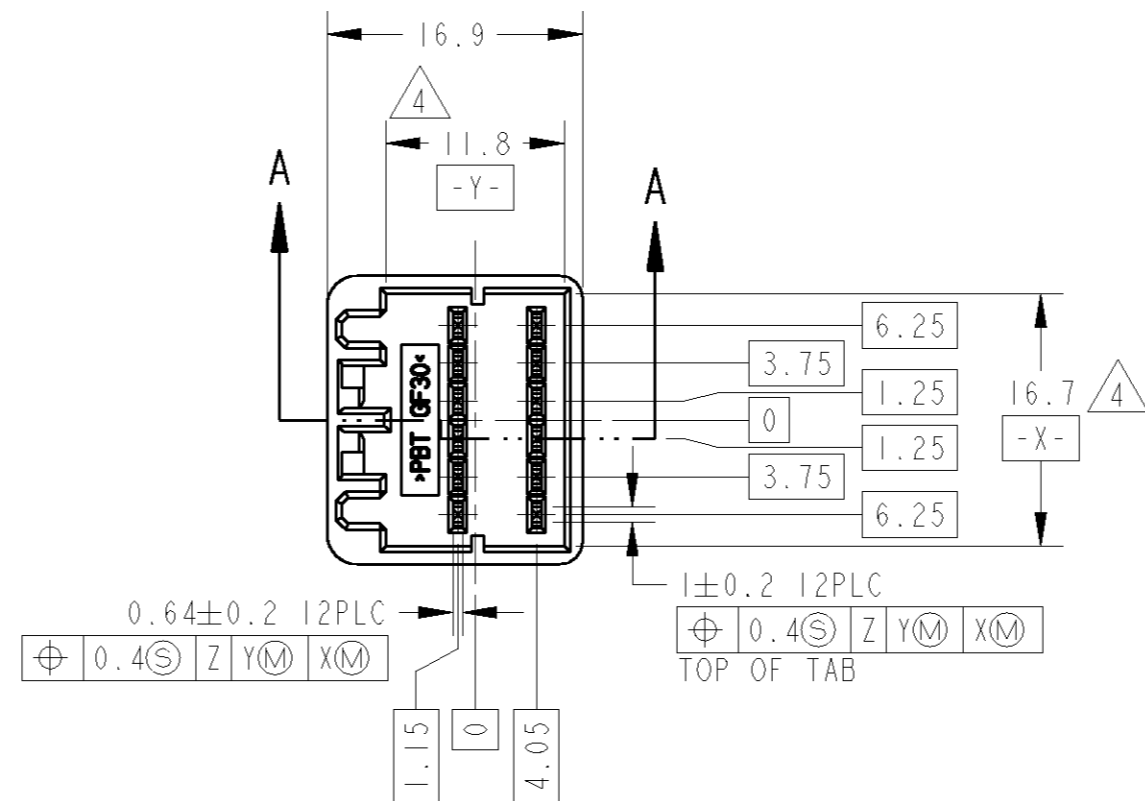
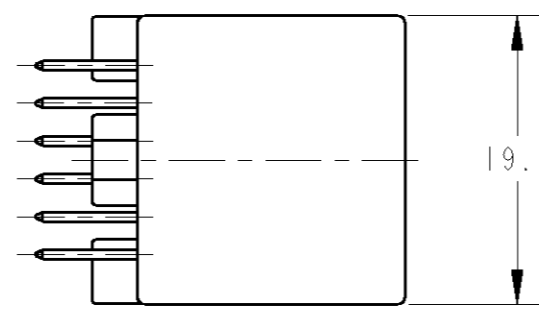
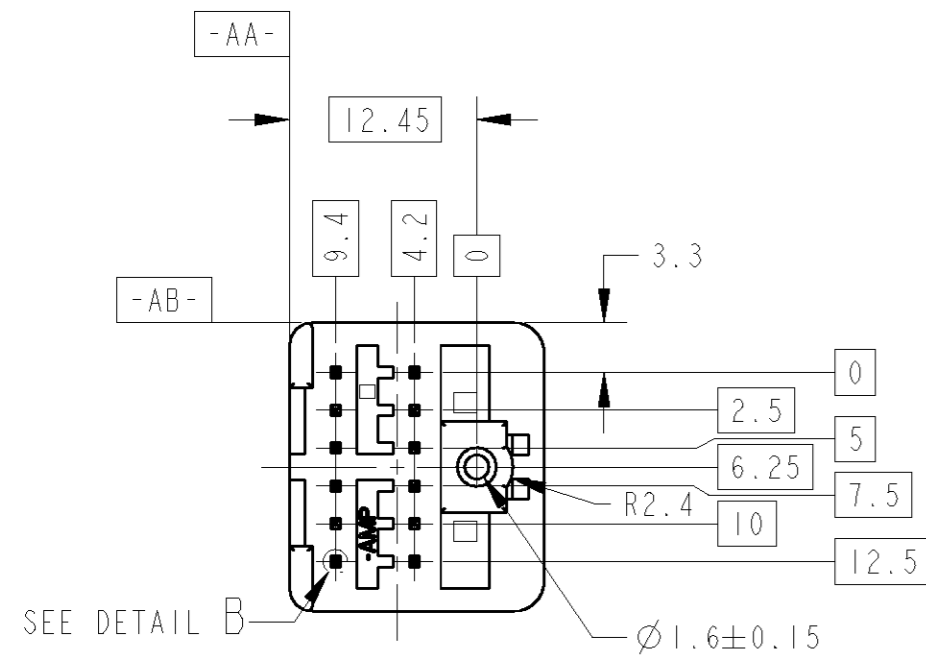


THIS DRAWING IS UNPUBLISHED. RELEASED FOR PUBLICATION 20
 © COPYRIGHT 20 BY TYCO ELECTRONICS CORPORATION. ALL RIGHTS RESERVED.

LOC		DIST		REVISIONS				
J		P	LTR	DESCRIPTION	ECN	DATE	DWN	APVD
		0		RELEASED	FJ00-1040-02	15MAY02	K.S	K.A



1. APPLICABLE P.C.B. BOARD THICKNESS ; 1.6mm
 2. RECOMMENDED MOUNTING SCREW 2mm DIA, 6mm LENGTH MAX. PAN HEAD, CLASS 2 TAPPING SCREW SPECIFIED IN JIS B1122. (RECOMMENDED TIGHTENING TORQUE ; 0.22-0.27N.m)
 3. MATING PLUG HOUSING ; PN 175965
4. TO BE MEASURED BETWEEN -Z- AND 2.
5. PACKING STYLE : INNER - PVC TUBE
OUTER - PAPER BOX

6. DATUMS AND BASIC DIMENSION ESTABLISHED BY CUSTOMER

1. 適用プリント基板厚 : 1.6mm
 2. 推奨取付ネジ : JIS B1122 タッピングネジ
なべ2種 呼び径2 長さ6mm
(推奨締め付けトルク : 0.22~0.27N.m)
 3. 嵌合相手ハウジング : PN 175965
4. -Z- 面から2mmの範囲で測定
5. 梱包形態 : 内装 - PVCチューブ
外表 - タンボール

6. データム及び基準寸法は顧客制定による

PRE-TINNED 錫メッキ	BLACK 黒	1565543-1
FINISH OF CONTACT コンタクト仕上げ	COLOR 色	PART NUMBER 型番

THIS DRAWING IS A CONTROLLED DOCUMENT FOR TYCO ELECTRONICS CORPORATION IT IS SUBJECT TO CHANGE AND THE CONTROLLING ENGINEERING ORGANIZATION SHOULD BE CONTACTED FOR THE LATEST REVISION.		DWN K. SHIGA 15MAY02	Tyco Electronics AMP K.K. Kawasaki, Japan	
DIMENSIONS: 単位: 概 mm	TOLERANCES UNLESS OTHERWISE SPECIFIED: 一般公差: ±0.3 0-PLC ±0.5 1-PLC ±0.5 2-PLC ±0.13 3-PLC ±0.13 4-PLC ±0.0001 ANGLES ±3°00'	CHK K. ASAI 15MAY02	NAME K. ASAI	
		APVD K. ASAI 15MAY02	PRODUCT SPEC 108-5281	
MATERIAL 材料	PBT SEE TABLE	WEIGHT 4.5 g	APPLICATION SPEC 取付適用規格	SIZE A2
CUSTOMER DRAWING		CAGE CODE 00779	DRAWING NO 1565543	RESTRICTED TO -
		SCALE 2:1	SHEET 1	OF 1
			REV 0	