

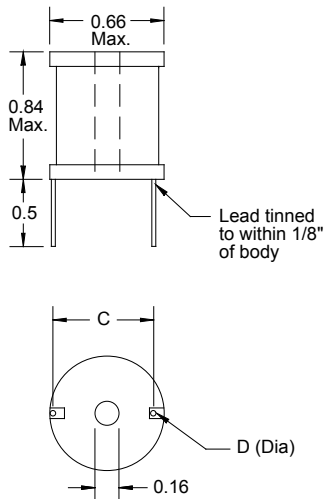
# High Current RF Chokes

## Special Features

- Very high current capacity
- Low DCR
- Epoxy coated ferrite bobbin core
- VW-1 rated shrink tubing to cover winding
- Self-leaded
- Fixed lead spacing
- Center hole for mechanical mounting
- Dielectric withstanding voltage:  
2500VRMS terminal to shrink tube cover;  
1000VRMS terminal to core
- Operating temperature -55 to +105°C

## Notes

- \* Rated current to cause 50°C max. temperature rise and 5% max. inductance drop



Dimensions: Inches

1110 Series					
Part Number	L (μH) ±20% @ 1KHz	DCR Ω Max.	I, dc* (A)	Dim. C Approx.	Dim. D Nom.
1110-1R0M	1.0	0.003	9	0.55	0.051
1110-1R2M	1.2	0.003	9	0.55	0.051
1110-1R5M	1.5	0.004	9	0.55	0.051
1110-1R8M	1.8	0.004	9	0.55	0.051
1110-2R2M	2.2	0.005	9	0.55	0.051
1110-2R7M	2.7	0.005	9	0.55	0.051
1110-3R3M	3.3	0.005	9	0.55	0.051
1110-3R9M	3.9	0.006	9	0.55	0.051
1110-4R7M	4.7	0.007	9	0.55	0.051
1110-5R6M	5.6	0.007	9	0.55	0.051
1110-6R8M	6.8	0.008	9	0.55	0.051
1110-8R2M	8.2	0.009	9	0.55	0.051
	± 10%				
1110-100K	10	0.010	9	0.55	0.051
1110-120K	12	0.011	9	0.55	0.051
1110-150K	15	0.015	7.2	0.53	0.045
1110-180K	18	0.016	7.2	0.53	0.045
1110-220K	22	0.020	5.5	0.53	0.045
1110-270K	27	0.030	4.5	0.53	0.040
1110-330K	33	0.040	4	0.53	0.040
1110-390K	39	0.046	4	0.53	0.040
1110-470K	47	0.062	2.8	0.53	0.036
1110-560K	56	0.069	2.8	0.53	0.036
1110-680K	68	0.077	2.8	0.50	0.032
1110-820K	82	0.083	2.8	0.50	0.032
1110-101K	100	0.095	2.8	0.50	0.032
1110-121K	120	0.127	2	0.50	0.029
1110-151K	150	0.181	1.6	0.50	0.029
1110-181K	180	0.217	1.6	0.50	0.025
1110-221K	220	0.240	1.6	0.50	0.025
1110-271K	270	0.300	1.6	0.47	0.020
1110-331K	330	0.336	1.3	0.47	0.020
1110-391K	390	0.460	1	0.47	0.020
1110-471K	470	0.636	0.8	0.47	0.020
1110-561K	560	0.696	0.8	0.47	0.020

Also available as RoHS compliant.

**J.W. Miller**  
MAGNETICS

306 E. Alondra Blvd. Gardena, CA 90247-1059 • Phone (310) 515-1720 • FAX (310) 515-1962

www.jwmiller.com