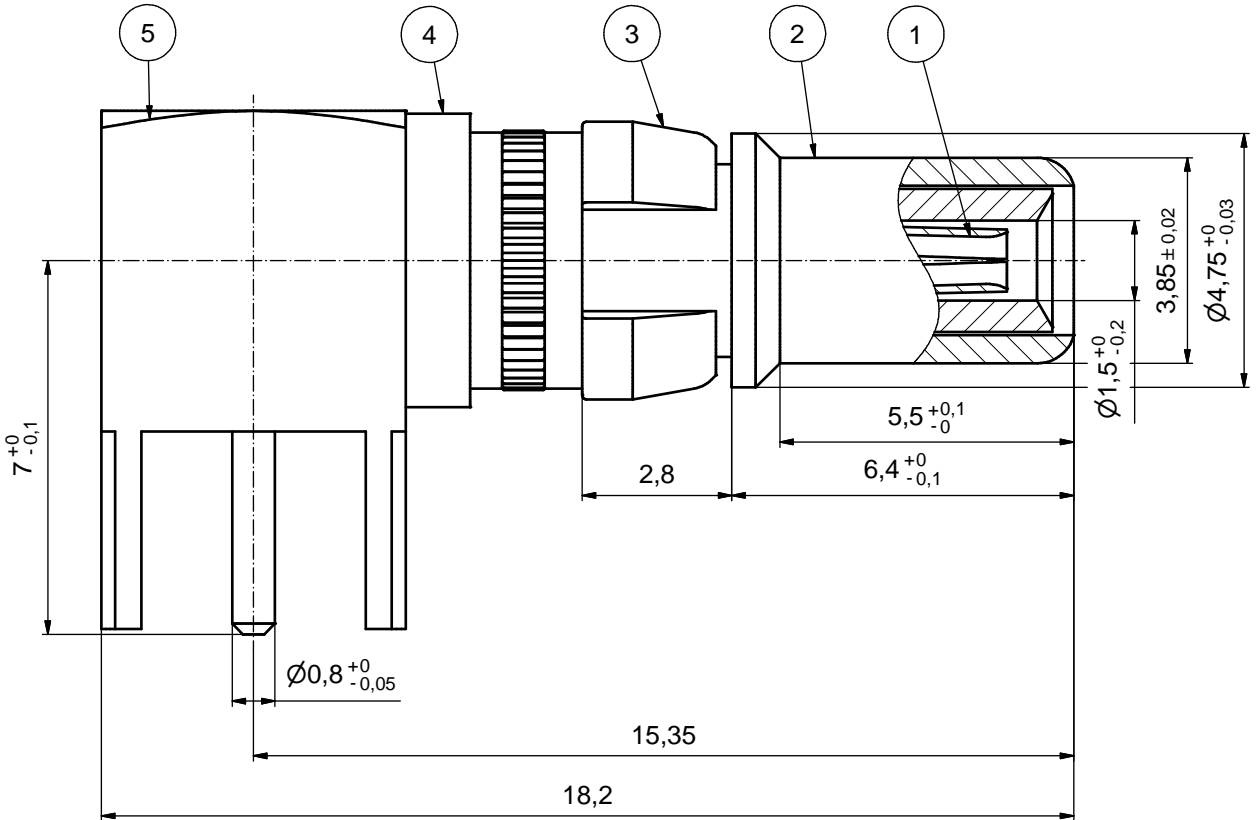
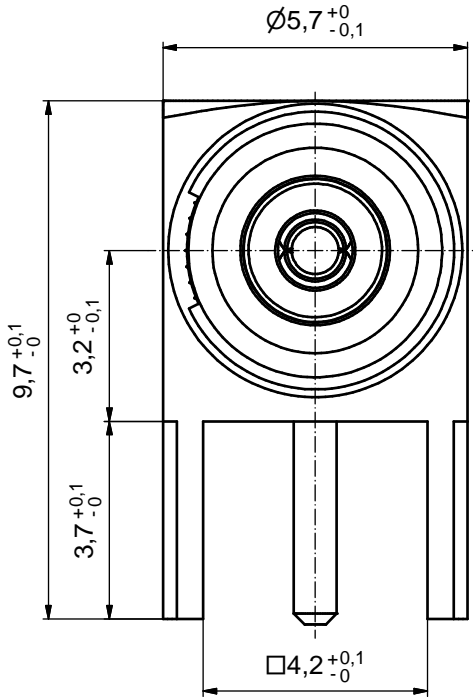
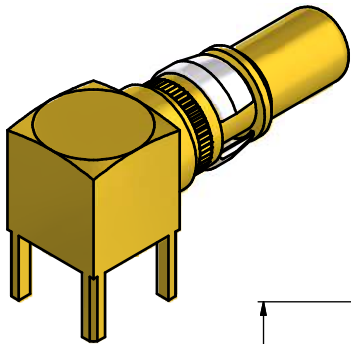
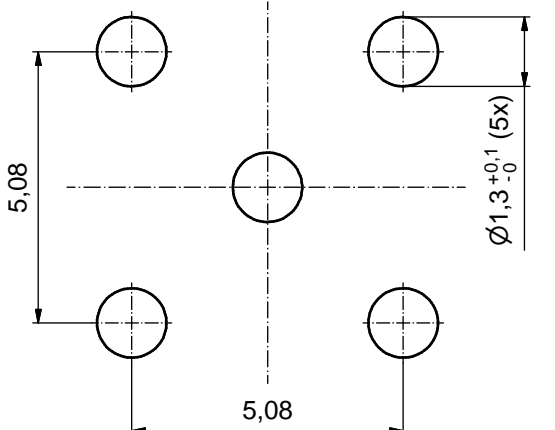


Part no.	Finish Pos. 1	Finish Pos. 2	Finish Pos. 3	Finish Pos. 4/5
131A25519X	GOLD FLASH over NICKEL	GOLD FLASH over NICKEL	NICKEL PLATED	GOLD FLASH over NICKEL
131J25519X	min. 50µin HARD GOLD over min. 50µin NICKEL	min. 30µin HARD GOLD over min. 50µin NICKEL	NICKEL PLATED	GOLD FLASH over NICKEL



P.C.B. HOLE DRILLINGS



RoHS compliant

THIS DRAWING MAY NOT BE COPIED OR REPRODUCED IN ANY WAY, AND MAY NOT BE PASSED ON TO A THIRD PARTY WITHOUT WRITTEN PERMISSION. OWNERSHIP AND COPYRIGHT OF CONEC GmbH DO NOT ALTER CAD DRAWING BY HAND	tolerance		 dim. in mm	scale: 10:1	
	date			material: COPPER ALLOY (Pos. 1 - 5)	
	name		title:		
	drawn	15.06.15	Lehmenkühler		COAXIAL CONTACT PLUG 50 Ohm Solder termination 90° with 5 pins for D-SUB COMBINATION
	appd.	15.06.15	Schmidt		
norm			dwg no:		
d-old			13K2A4989		
rev.	a	Original	part no: SEE TABLE		
description	date	name			
				DIN-A3	
				sh: 1	