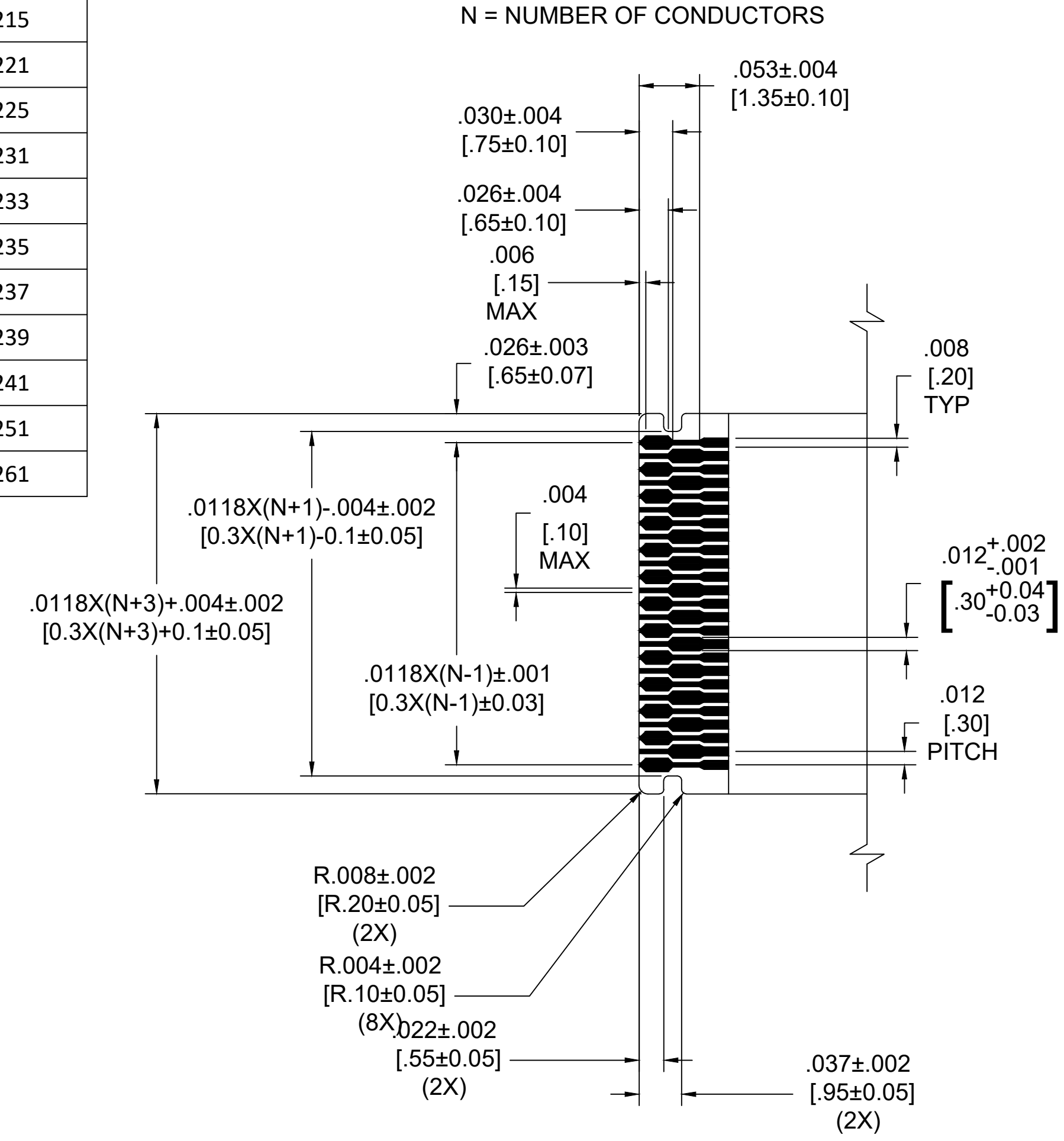
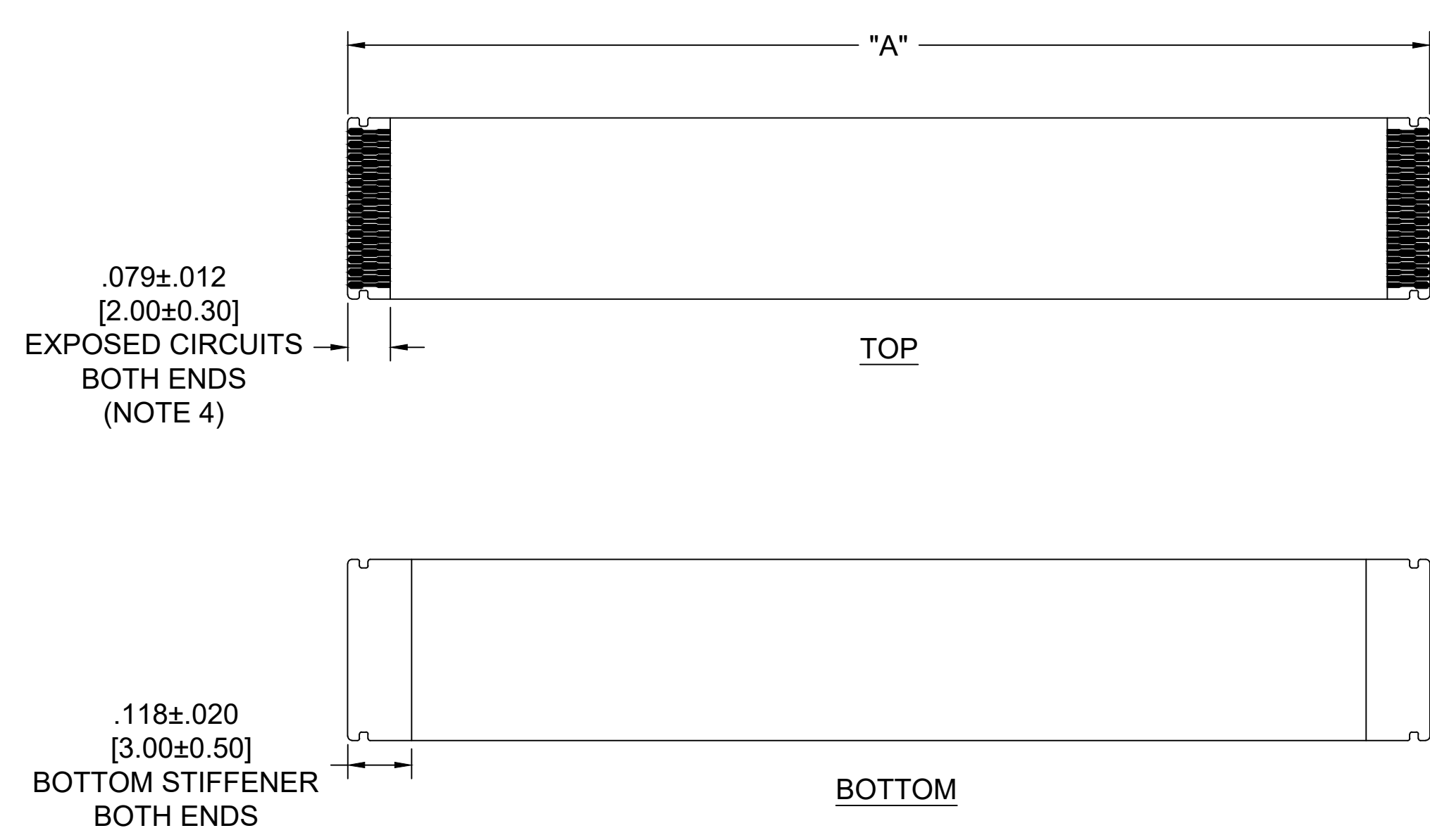


0.30MM CENTER FFC JUMPER CABLE CHART

NOTES:

- SUBSTRATE AND COVERLAY MATERIAL IS .001" [25um] POLYIMIDE.
- CONDUCTOR IS 1/2 OZ (.0007") [18um] COPPER.
- PLATING IS 2 MICRO INCHES MINIMUM OF HARD GOLD OVER 100 MICRO INCHES MINIMUM OF NICKEL.
- TAIL ENDS ARE .008±.001 [0.20±0.03] THICK.
- JUMPER CABLES ARE SUITABLE FOR USE WITH MOLEX 504754 SERIES CONNECTOR.

"A" DIM.	2 ± .08 INCHES 51 ± 2 MM	4 ± .16 INCHES 102 ± 4 MM	6 ± .16 INCHES 152 ± 4 MM	8 ± .20 INCHES 203 ± 5 MM	10 ± .20 INCHES 254 ± 5 MM	12 ± .20 INCHES 305 ± 5 MM
CKTS: 7	150310207	150310407	150310607	150310807	150311007	150311207
CKTS: 9	150310209	150310409	150310609	150310809	150311009	150311209
CKTS: 11	150310211	150310411	150310611	150310811	150311011	150311211
CKTS: 15	150310215	150310415	150310615	150310815	150311015	150311215
CKTS: 21	150310221	150310421	150310621	150310821	150311021	150311221
CKTS: 25	150310225	150310425	150310625	150310825	150311025	150311225
CKTS: 31	150310231	150310431	150310631	150310831	150311031	150311231
CKTS: 33	150310233	150310433	150310633	150310833	150311033	150311233
CKTS: 35	150310235	150310435	150310635	150310835	150311035	150311235
CKTS: 37	150310237	150310437	150310637	150310837	150311037	150311237
CKTS: 39	150310239	150310439	150310639	150310839	150311039	150311239
CKTS: 41	150310241	150310441	150310641	150310841	150311041	150311241
CKTS: 51	150310251	150310451	150310651	150310851	150311051	150311251
CKTS: 61	150310261	150310461	150310661	150310861	150311061	150311261



JUMPER END DETAIL
25 CIRCUIT SHOWN
(SCALE 10:1)

FUNCTIONAL SYMBOLS $\overline{FA}=0$ $\overline{FC}=0$ $\overline{FP}=0$ DIVISIONAL SYMBOLS	THIS DRAWING CONTAINS INFORMATION THAT IS PROPRIETARY TO MOLEX ELECTRONIC TECHNOLOGIES, LLC AND SHOULD NOT BE USED WITHOUT WRITTEN PERMISSION		CURRENT REV DESC: PRODUCTION RELEASE		
	DIMENSION UNITS	SCALE	EC NO: 701160		
	MM/INCH	4:1	DRWN: MIMIG	2022/03/28	
	GENERAL TOLERANCES (UNLESS SPECIFIED)		CHK'D: JSMITH11	2022/03/30	
4 PLACES ±----		mm	INCH	APPR: JSMITH11	2022/03/30
3 PLACES ±----		±0.01		INITIAL REVISION:	
2 PLACES ±----		±0.03		DRWN: MIMIG	2022/03/28
1 PLACE ±----		±----		APPR: JSMITH11	2022/03/30
0 PLACES ±----		±----		ANGULAR TOL ± 1.0 °	
DRAFT WHERE APPLICABLE MUST REMAIN WITHIN DIMENSIONS		THIRD ANGLE PROJECTION	DRAWING	SERIES	MATERIAL NUMBER
			C-SIZE	15031	SEE CHART
DOCUMENT STATUS		P1	RELEASE DATE	2022/03/30	23:34:44
12		11	10	9	8
11		10	9	8	7
10		9	8	7	6
9		8	7	6	5
8		7	6	5	4
7		6	5	4	3
6		5	4	3	2
5		4	3	2	1

molex

.3MM PITCH
JUMPER CABLES

150310001

PSD 000 A

1 OF 1