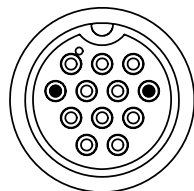
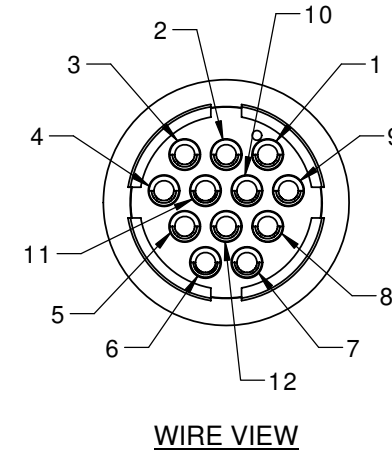


NOTES:

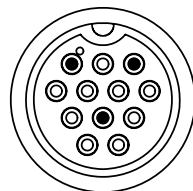
- PLACE (1) ONE OF EACH KIT, IN A BAG WITH INSTRUCTION SHEET AND SEAL.
- LABEL WITH CONXALL, PART NUMBER, DATE CODE, AND PART NUMBER BARCODE IS PLACED ON BAG.

ASS'Y P/N	I.D. FOR CABLE
SF3282-XPG-520	Ø0.200
SF3282-XPG-530	Ø0.300
SF3282-XPG-540	Ø0.400

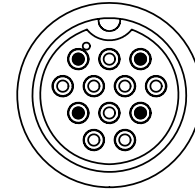
NO. OF CONTACTS: 2 to 12



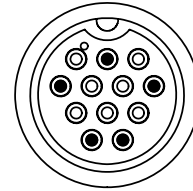
SF3282-2PG-5XX
FACE VIEW
2 POSITION
POS 1, 2, 3, 5, 6, 7, 8,
10, 11 & 12 MOLDED
HALF CLOSED



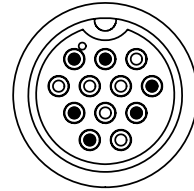
SF3282-3PG-5XX
FACE VIEW
3 POSITION
POS 2, 4, 5, 6, 7, 8,
9, 10 & 11 MOLDED
HALF CLOSED



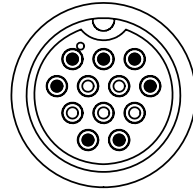
SF3282-4PG-5XX
FACE VIEW
4 POSITION
POS 2, 4, 6, 7, 9,
10, 11 & 12 MOLDED
HALF CLOSED



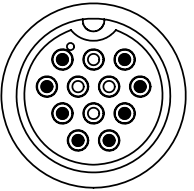
SF3282-5PG-5XX
FACE VIEW
5 POSITION
POS 1, 3, 5, 8, 10,
11 & 12 MOLDED
HALF CLOSED



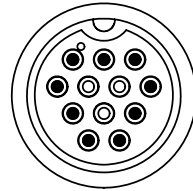
SF3282-6PG-5XX
FACE VIEW
6 POSITION
POS 3, 6, 9, 10,
11 & 12 MOLDED
HALF CLOSED



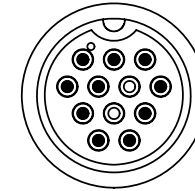
SF3282-7PG-5XX
FACE VIEW
7 POSITION
POS 5, 8, 10,
11 & 12 MOLDED
HALF CLOSED



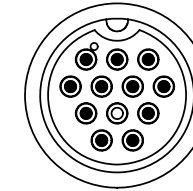
SF3282-8PG-5XX
FACE VIEW
8 POSITION
POS 2, 10, 11 & 12
MOLDED HALF CLOSED



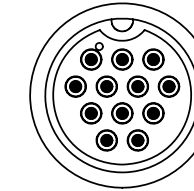
SF3282-9PG-5XX
FACE VIEW
9 POSITION
POS 10, 11 & 12
MOLDED HALF CLOSED



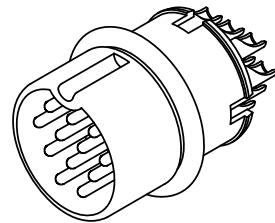
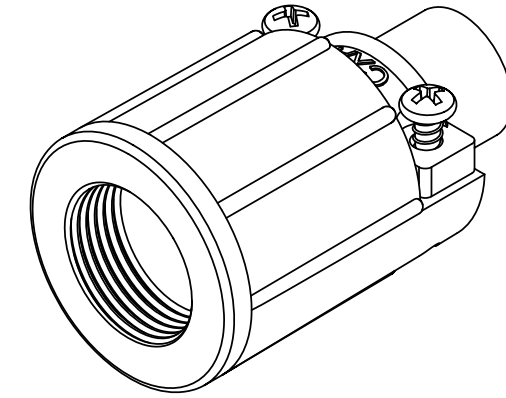
SF3282-10PG-5XX
FACE VIEW
10 POSITION
POS 11 & 12 MOLDED
HALF CLOSED



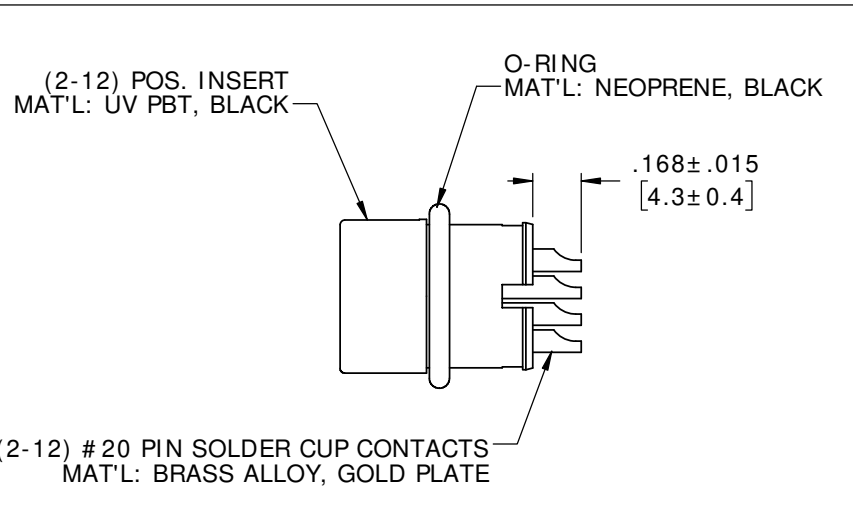
SF3282-11PG-5XX
FACE VIEW
11 POSITION
POS 12 MOLDED
HALF CLOSED



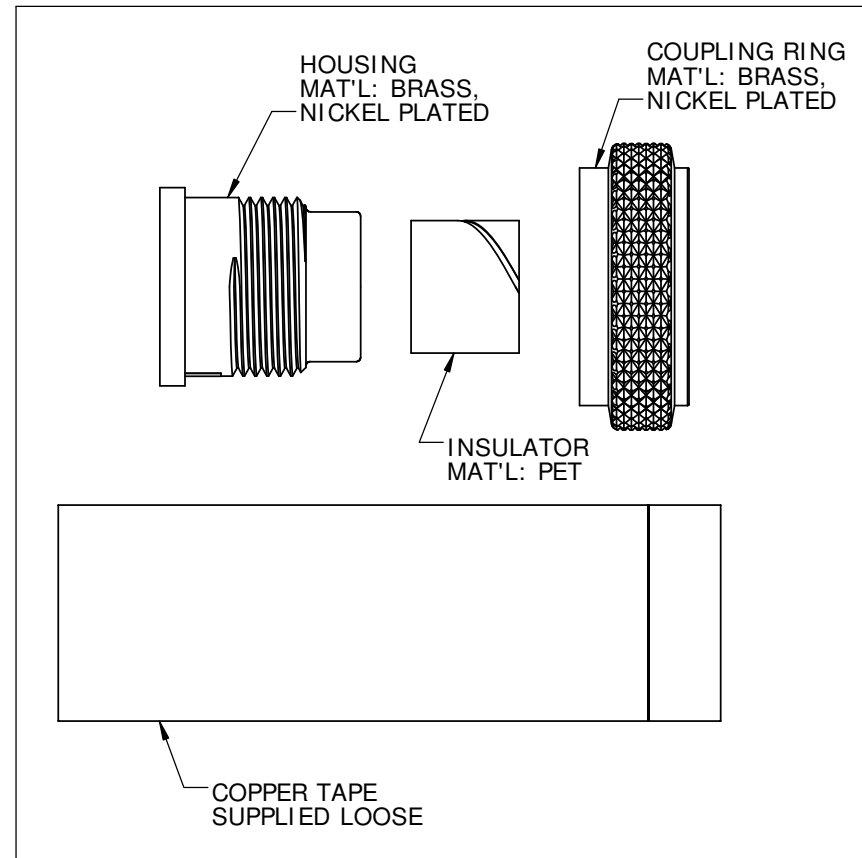
SF3282-12PG-5XX
FACE VIEW
12 POSITION



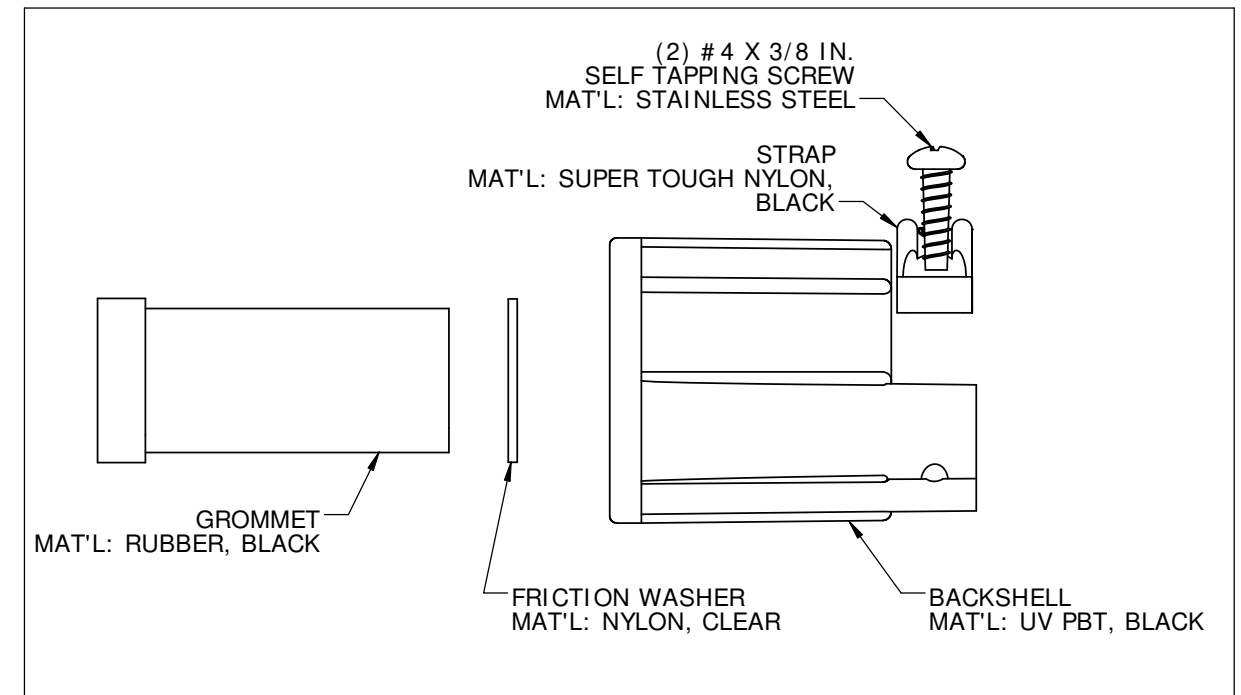
2-12 POSITION INSERT KIT



HOUSING KIT



BACKSHELL KIT



CUSTOMER PRINT

PART NUMBER: SF3282-XPG-5XX

CUSTOMER APPROVAL

THIS DOCUMENT CONTAINS CONFIDENTIAL INFORMATION PROPRIETARY TO CONXALL CORPORATION. ANY REPRODUCTION, DISCLOSURE, OR USE OF THIS DOCUMENT / INFORMATION IS EXPRESSLY PROHIBITED UNLESS AUTHORIZED IN WRITING BY CONXALL CORPORATION.

APPROVED BY: _____
DATE: _____

A	MA	04-28-20	RELEASED PER PDR 15019-1
	JGK	03/31/20	CREATED FOR PDR#15019.
REV.	INIT.	DATE	DESCRIPTION
	JGK	03/31/20	ORIG. DRAWN BY: DATE: 03/31/20
ALL INFORMATION ILLUSTRATED IS THE PROPERTY OF CONXALL CORPORATION. UNAUTHORIZED DUPLICATION OR DISTRIBUTION OF THIS DOCUMENT IS PROHIBITED.			
ALL UNITS ARE IN FEET, INCHES, FRACTION OF INCHES AND DECIMALS.			
UNLESS OTHERWISE SPECIFIED TOLERANCES: 3 PLACE DECIMALS ±.005 ANGLES ±1° FRACTIONS ±1/16			
- CRITICAL CHARACTERISTIC FLAG PER SPEC. XXXX			
APPROVED BY:		TITLE: CONNECTOR ASSEMBLY KIT (2-12) #20 PIN CONTACTS SHIELDED MULTI-CON-X STANDARD PRODUCT	
SCALE	SIZE	SHEET	CUSTOMER:
NTS	B	1 OF 1	SF3282-XPG-5XX
FILE:	DIRECTORY:	PART NUMBER:	REV
SF3282-XPG-5XX_CD	SLW	SF3282-XPG-5XX	A

RoHS COMPLIANT