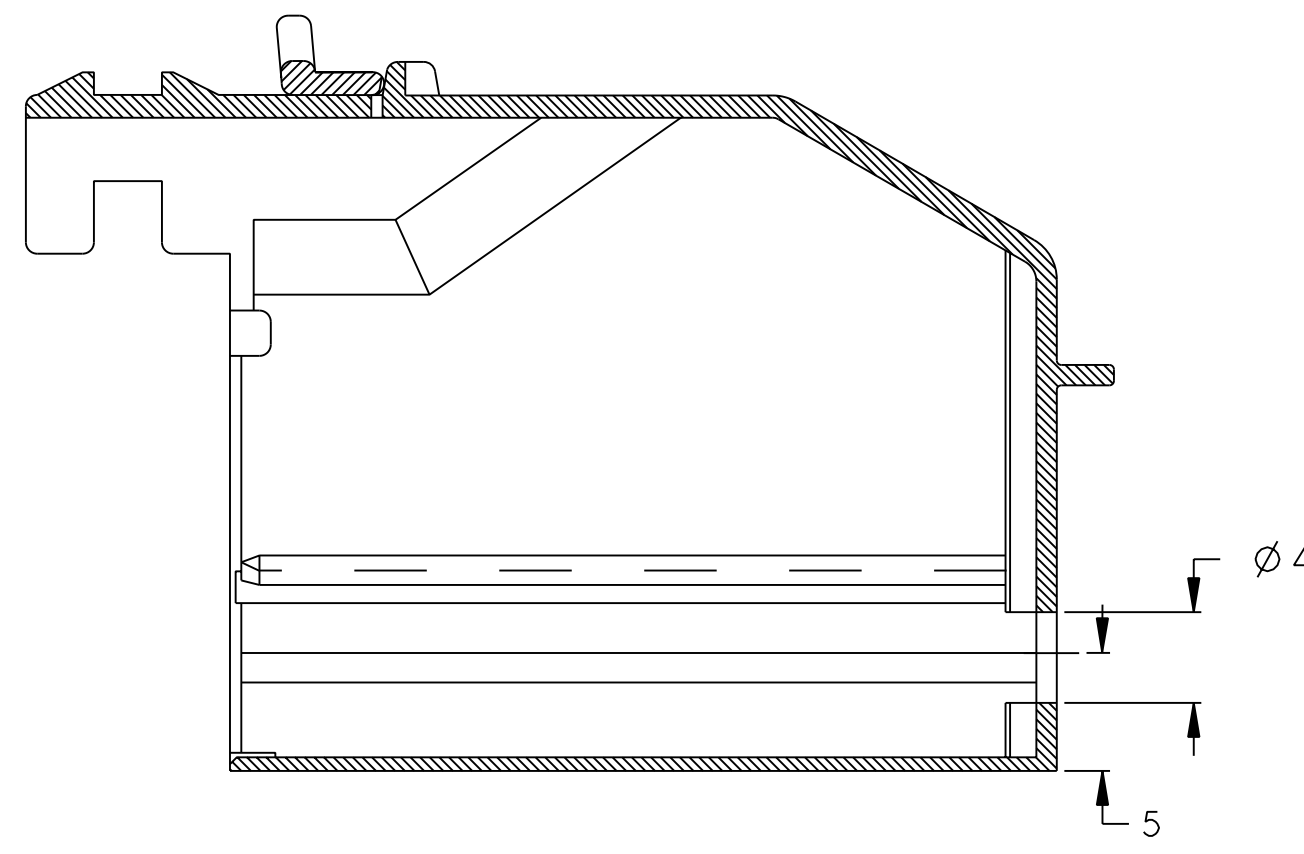
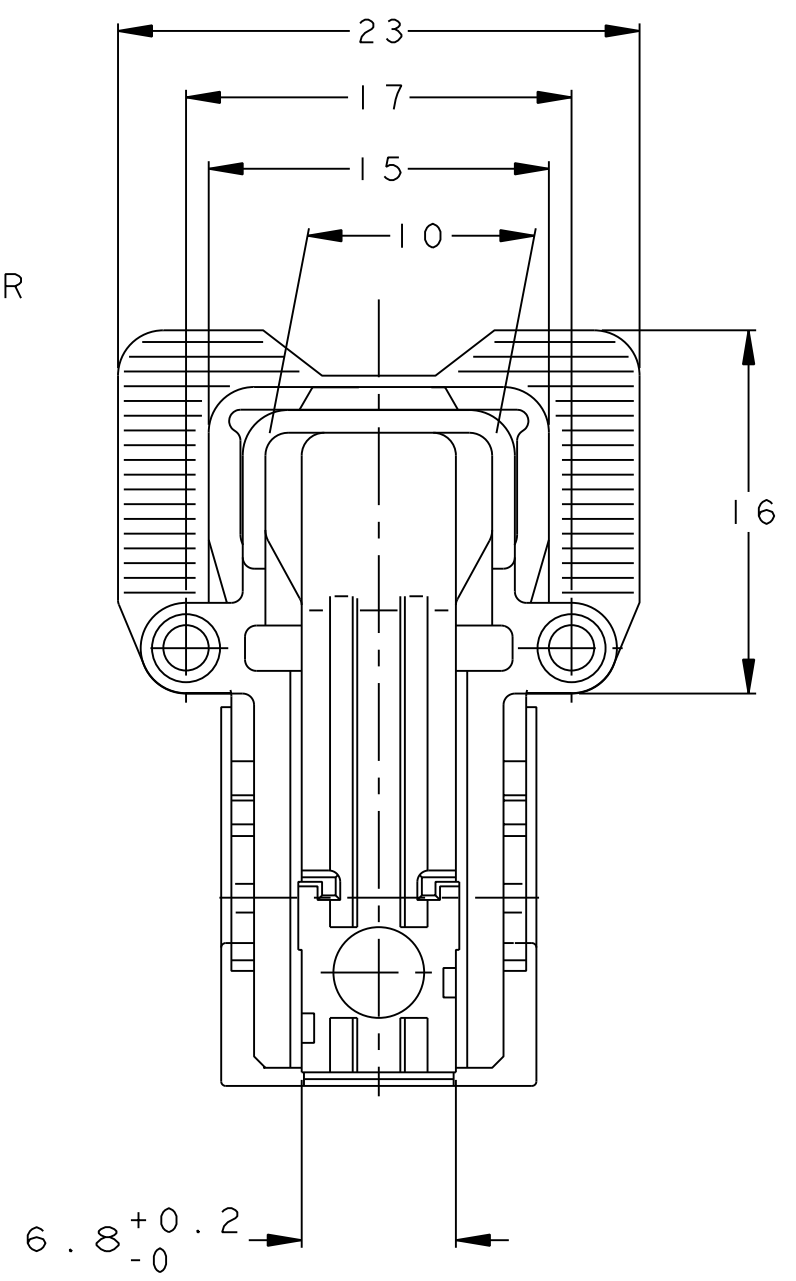
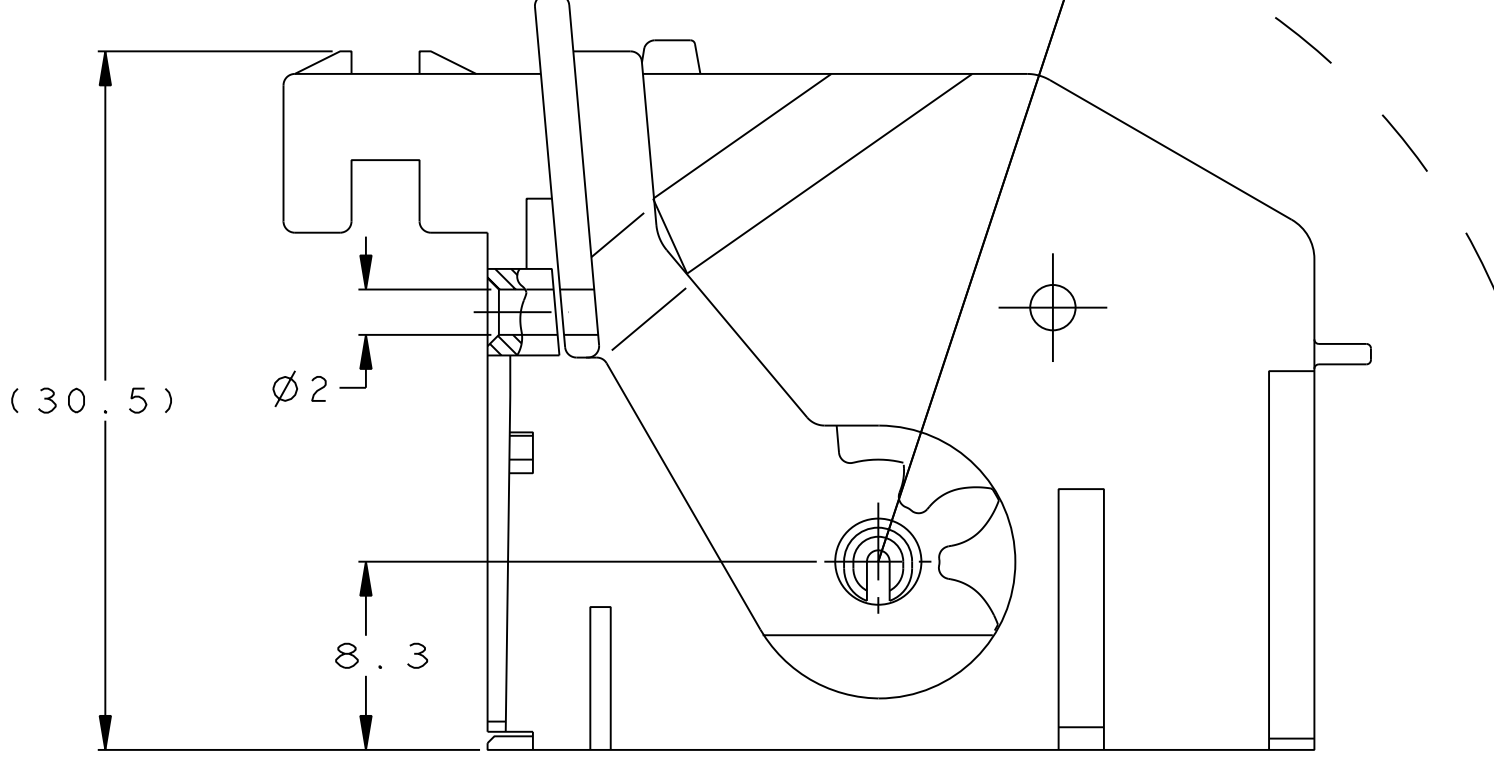


| LOC | DIST | REVISIONS |  |           |     |      |
|-----|------|-----------|--|-----------|-----|------|
| F   | 00   | REV       | DESCRIPTION                              | DATE      | DWN | APVD |
|     |      | A         | MISE A JOUR                              | 08SEP1994 | DE  | -    |
|     |      | B         | MISE A JOUR                              | 08NOV1994 | DE  | -    |
|     |      | C         | MODIFICATION PLOT DE VERROUILLAGE LEVIER | 26MAY1998 | MP  | JL   |
|     |      | D         | MISE A JOUR                              | 08NOV2010 | EC  | XR   |

SECTION / COUPE A-A

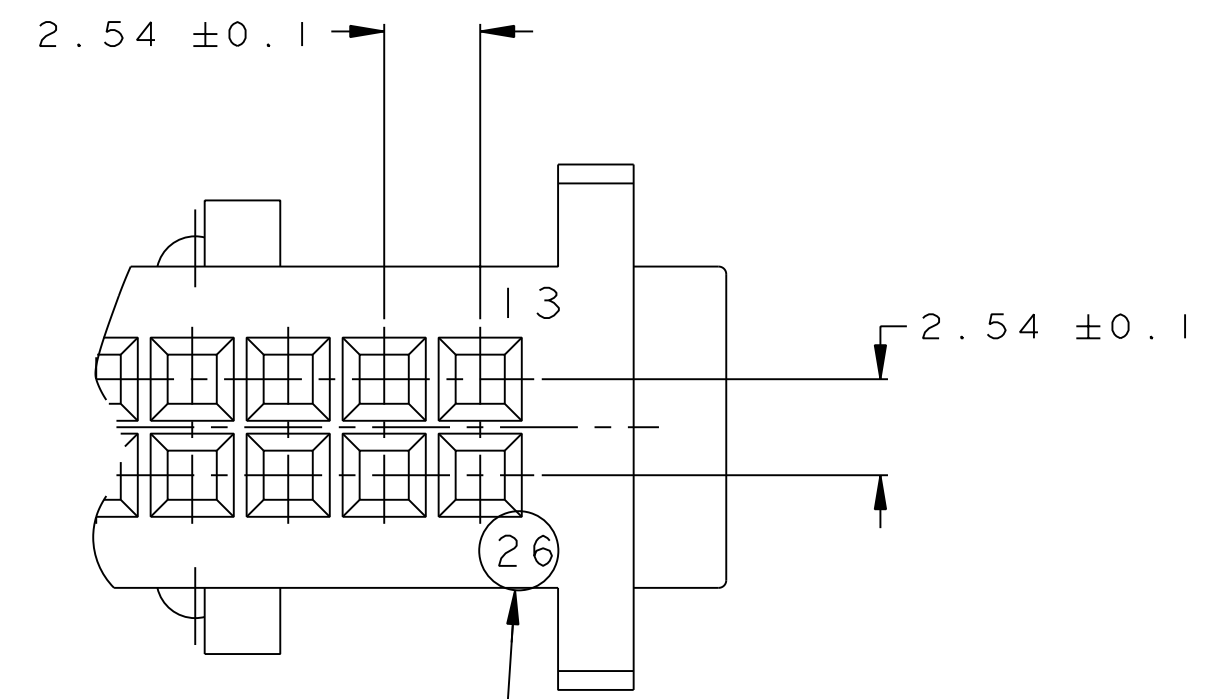


R 29.8 MAX  
LEVER OVERALL DIMENSION  
ENCOMBREMENT DU LEVIER

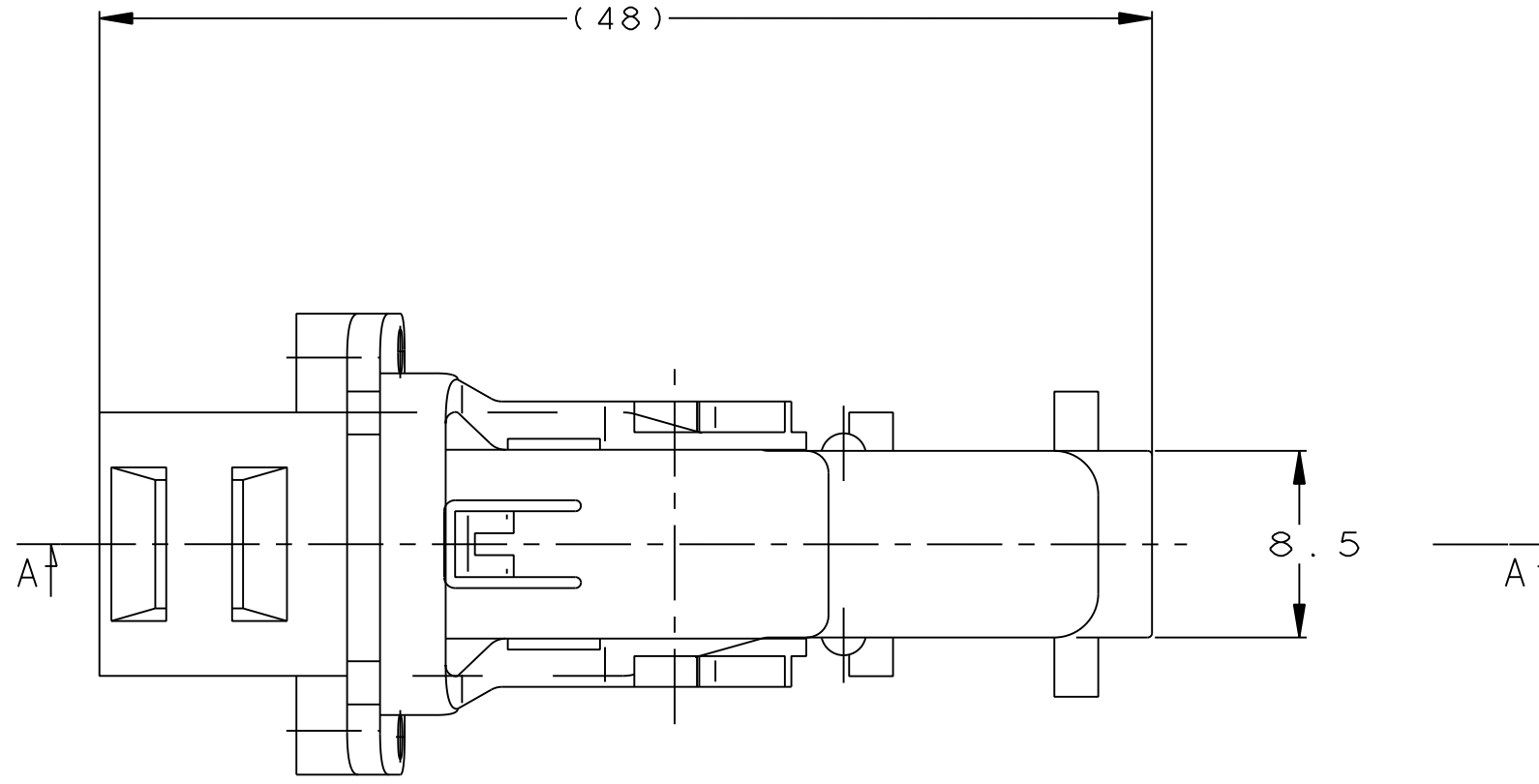


VIEW / VUE X

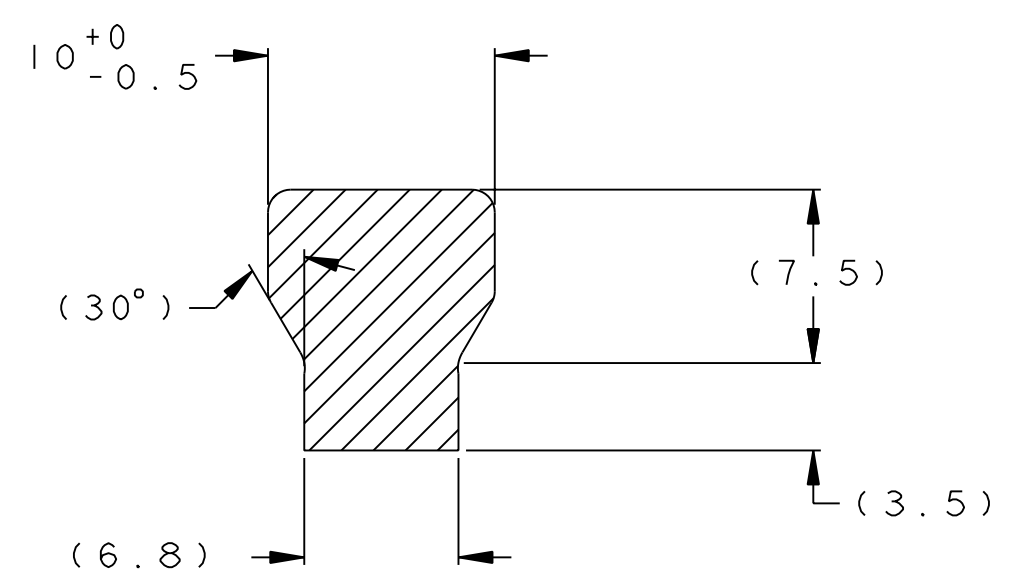
VIEW / VUE X  
SCALE / ECHELLE 5:1



CIRCUIT CAVITY MARKING  
MARQUAGE DES VOIES



HARNESS OUTPUT AREA  
ZONE DE SORTIE DU TORON



|                      |                                  |                  |
|----------------------|----------------------------------|------------------|
|                      | 144934-2                         | BLUE             |
|                      | 144934-1                         | JAUNE            |
| KEYING<br>DETROMPAGE | TE PART NUMBER<br>REF PRODUIT TE | COLOR<br>COULEUR |

144934-1 AS SHOWN / REPRESENTE

|  |  |  |  |  |  |                                     |
|--|--|--|--|--|--|-------------------------------------|
| <small>THIS DRAWING IS UNPUBLISHED. IT IS SUBJECT TO CHANGE WITHOUT NOTICE AND WITHOUT LIABILITY TO THE USER. IT IS THE USER'S RESPONSIBILITY TO VERIFY THE DIMENSIONS AND SPECIFICATIONS OF THE PARTS AND TO CONTACT THE SUPPLIER FOR ANY CHANGE IN THE DESIGN OR IN THE MANUFACTURING PROCESS.</small> |  | DWN/DESINE: 04NOV1993<br>D. ELISEI<br>CHK/VERIFIE: 10JUN1998<br>M. POLIFONTE   |  | Tyco Electronics France SAS<br>95300 Pantouze, France  |  |                                     |
| DIMENSIONS: mm<br>TOLERANCES: UNLESS OTHERWISE SPECIFIED:<br>DIMENSIONS IN PARENTHESES:<br>1. P.L.C./DEC: ±0.4<br>2. P.L.C./DEC: ±0.4<br>3. P.L.C./DEC: ±0.4<br>4. P.L.C./DEC: ±0.4  |  | APVD/APPROUVE: 10JUN1998<br>J.J. DE VILLIERS<br>PRODUCT SPEC: -<br>SPEC. PRODUIT: -<br>APPLICATION SPEC: -<br>SPEC. APPLICATION: - |  | NAME/TYPE: ASSEMBLY-SHIELD FOR MQS-26 POS<br>ASSEMBLAGE PORTE-CLIPS MQS 26 VOIES<br>SIZE: A1<br>CAGE CODE: 144934<br>DRAWING NO: 144934<br>NO PLAN: -<br>WEIGHT: -<br>MASSE APPROX.: -<br>FINISH: -<br>FINITION: - |  | RESTRICTED TO RESERVE A: -<br>REV D |
| MATERIAL: PBT-GE20<br>MATIERE: PBT 20% FV  |  | CUSTOMER DRAWING / PLAN CLIENT   |  | UNIDEMENT POUR REFERENCE: 3:1<br>SCALE ECHELLE: 3:1<br>SHEET FEUILLE: 1 OF 1<br>REV D  |  |                                     |