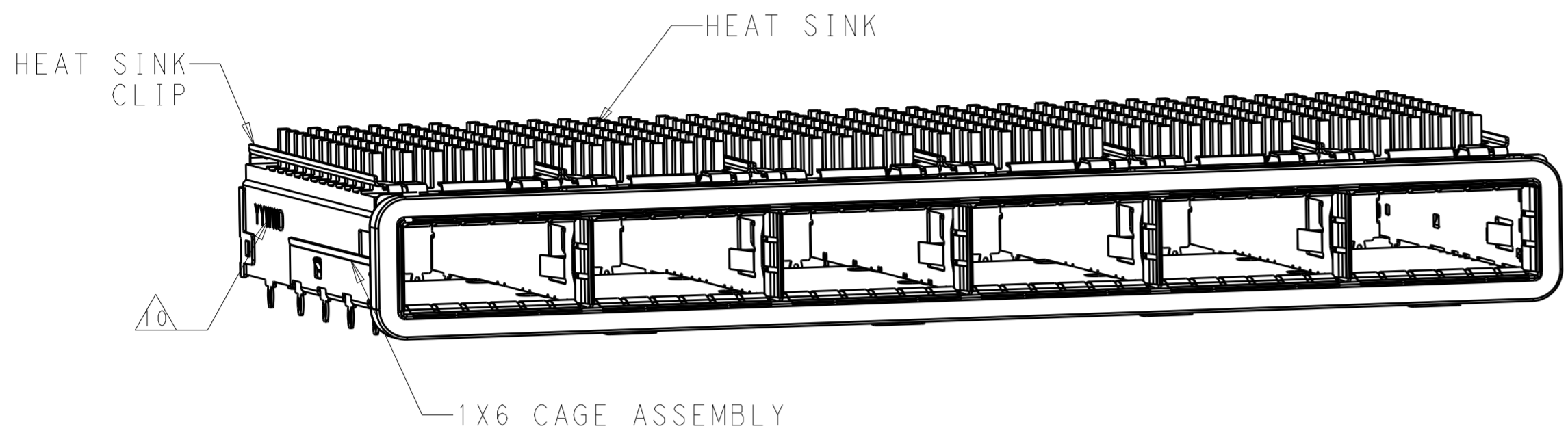
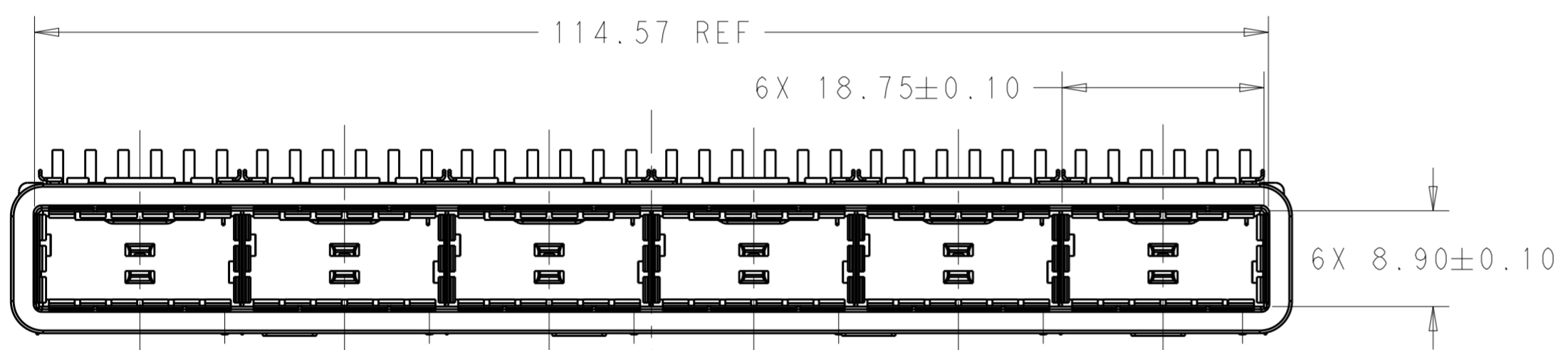


THIS DRAWING IS UNPUBLISHED. RELEASED FOR PUBLICATION 20
 © COPYRIGHT 20 BY - ALL RIGHTS RESERVED.

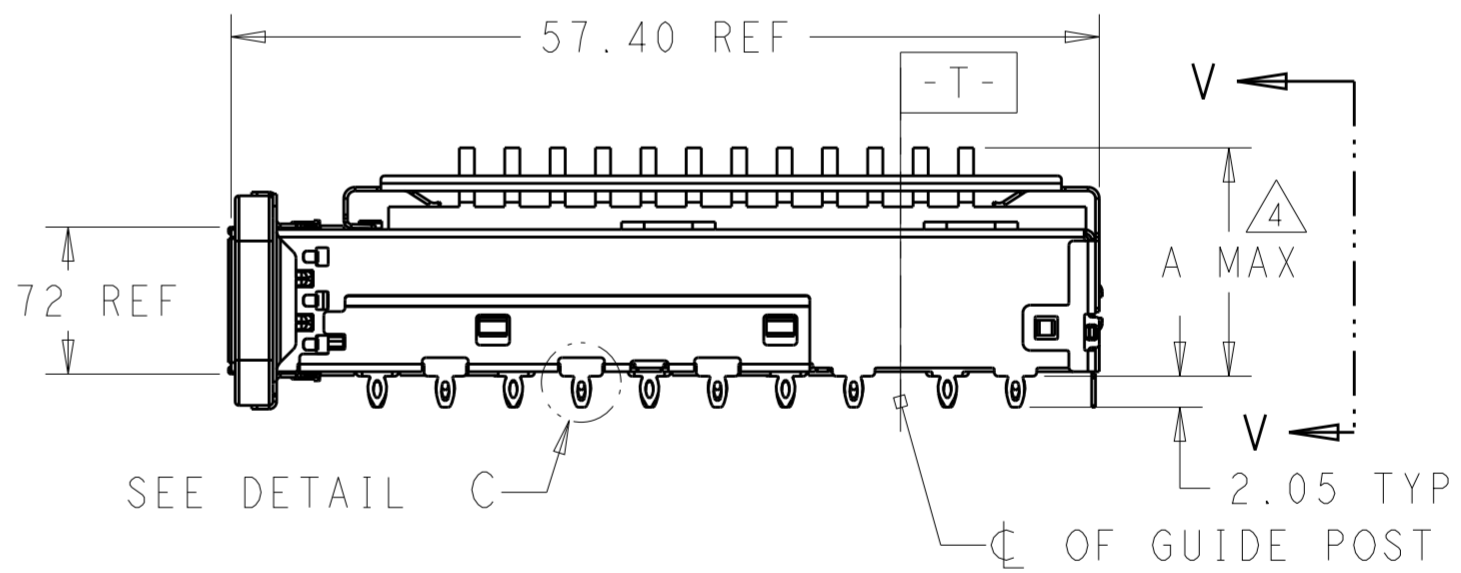
| REVISIONS | | | | |
|-----------|-----|-------------|-----------|------|
| P | LTR | DESCRIPTION | DATE | APVD |
| 1 | | PRELIMINARY | 24OCT2013 | JY |
| | | | | |
| | | | | |



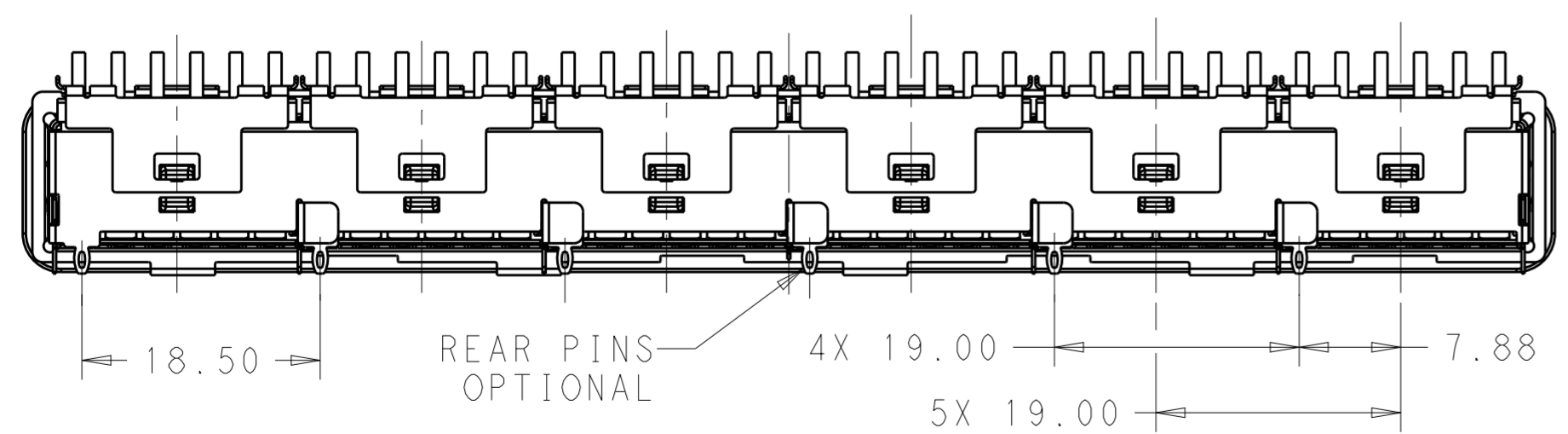
- COMPONENTS
 CAGE ASSEMBLY: NICKEL-SILVER ALLOY
 HEAT SINK: ALUMINUM/BLACK ANODIZE
 HEAT SINK CLIP: STAINLESS STEEL
 EMI SPRING: COPPER ALLOY/NICKEL PLATE
 EMI GASKET: PLATED FILLED SILICONE WITH 94 V-0
- REFERENCE APPLICATION SPECIFICATION 114-***** FOR RECOMMENDED DRILL HOLE DIAMETER AND PLATING THICKNESS
- DATUM AND BASIC DIMENSION ESTABLISHED BY CUSTOMER
- DIMENSION APPLIES WITH MODULE INSERTED IN CAGE
- HEAT SINKS, HEAT SINK CLIPS AND LIGHT PIPES ARE SHIPPED ASSEMBLED ON CAGE
- MINIMUM PC BOARD THICKNESS: SINGLE SIDED: 1.57 MIN
DOUBLE SIDED: 3.00 MIN
- DATUM -A- IS TOP SURFACE OF THE HOST BOARD.
- THESE HOLES ARE OPTIONAL WHEN THE REAR PINS ARE REMOVED.
- MATES WITH QSFP28 MSA COMPATIBLE TRANSCEIVER.
- DATE CODE (YYWWD) MARKED APPROXIMATELY AS SHOWN.



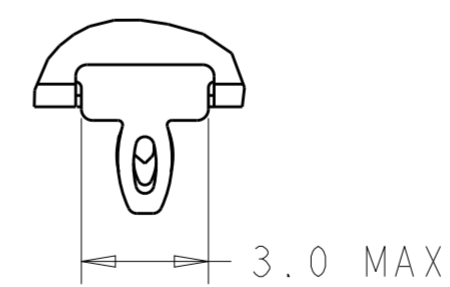
SCALE 2:1



SEE DETAIL C



SECTION V-V
SCALE 2:1



DETAIL C
SCALE 6:1

| | | | |
|-------|--------------------|-------------|-------------|
| 23.0 | WITHOUT | NETWORKING | 2170723-6 |
| 16.0 | WITHOUT | SAN | 2170723-5 |
| 13.7 | WITHOUT | PCI | 2170723-4 |
| 23.0 | WITH | NETWORKING | 2170723-3 |
| 16.0 | WITH | SAN | 2170723-2 |
| 13.7 | WITH | PCI | 2170723-1 |
| DIM A | REAR PINS OPTIONAL | APPLICATION | PART NUMBER |

PRELIMINARY PART- NOT RELEASED FOR PRODUCTION

THIS DRAWING IS A CONTROLLED DOCUMENT. DWN 24OCT2013
 CHK JASON YANG
 APVD -

DIMENSIONS: mm TOLERANCES UNLESS OTHERWISE SPECIFIED:
 0 PLC ±
 1 PLC ±0.25
 2 PLC ±0.2
 3 PLC ±
 4 PLC ±
 ANGLES ±
 FINISH SEE NOTES

MATERIAL SEE NOTES

Customer Drawing

TE Connectivity

NAME CAGE ASSEMBLY, 1X6 QSFP28 WITH HEAT SINKS THRU BEZEL, GASKET

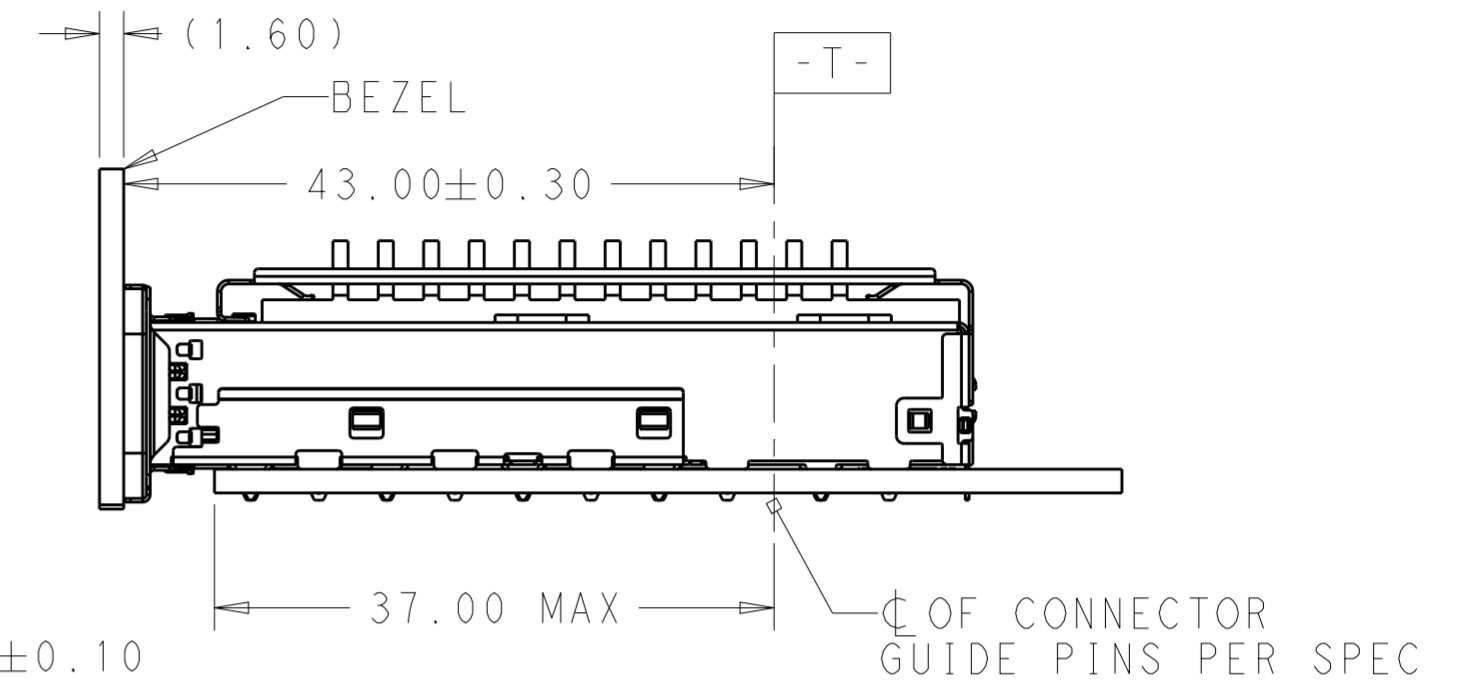
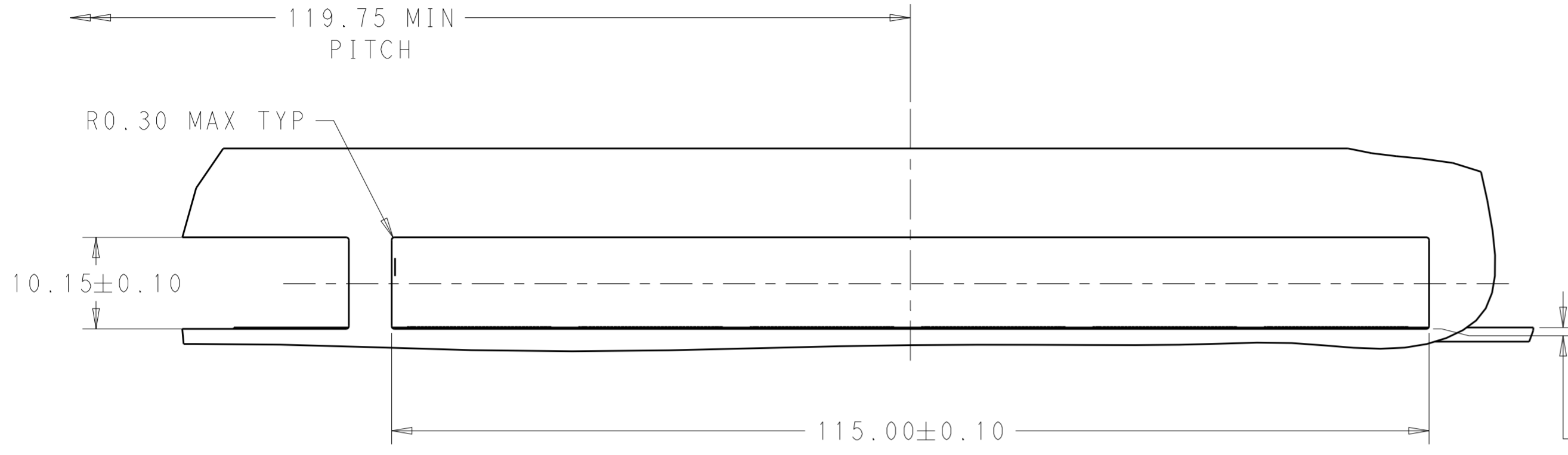
SIZE A2 CAGE CODE 00779 DRAWING NO C-2170723

RESTRICTED TO

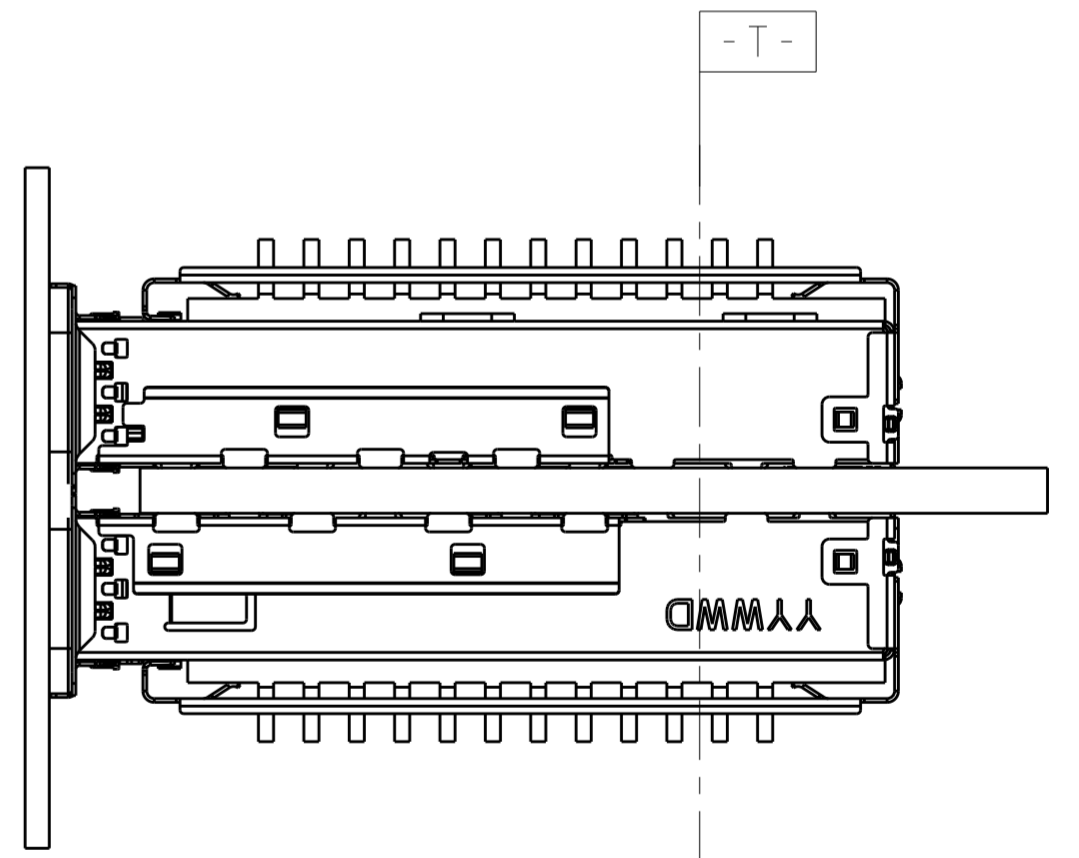
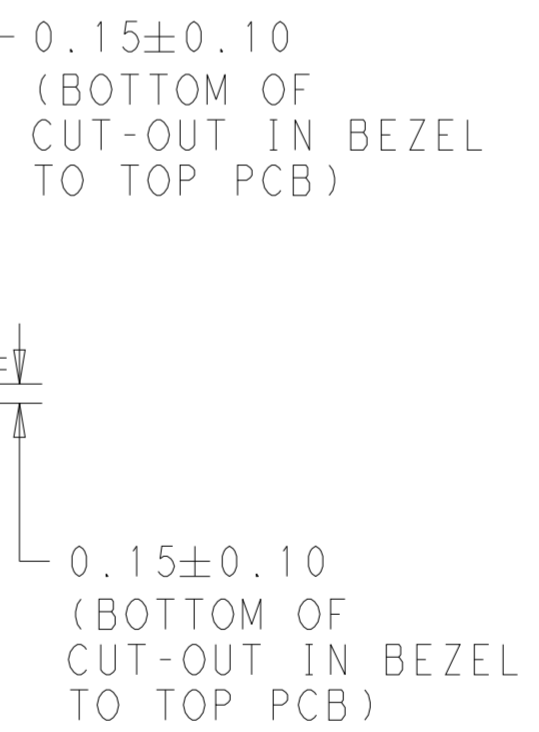
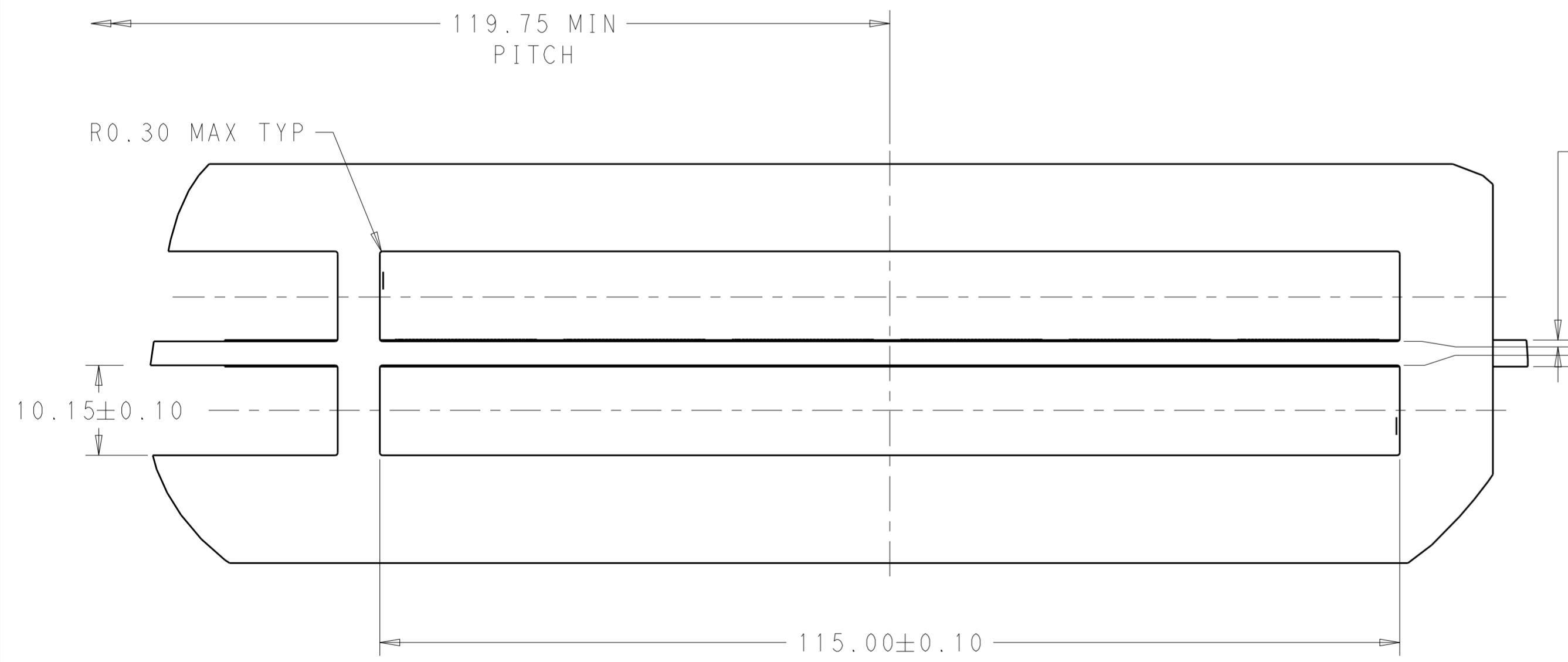
SCALE 3:1 SHEET 1 OF 5 REV 1

THIS DRAWING IS UNPUBLISHED. RELEASED FOR PUBLICATION 20
 © COPYRIGHT 20 BY - ALL RIGHTS RESERVED.

| REVISIONS | | | | |
|-----------|-----|-------------|------|------|
| P | LTR | DESCRIPTION | DATE | APVD |
| - | - | SEE SHEET 1 | - | - |
| | | | | |
| | | | | |



SINGLE SIDE MOUNTING
SCALE 2:1



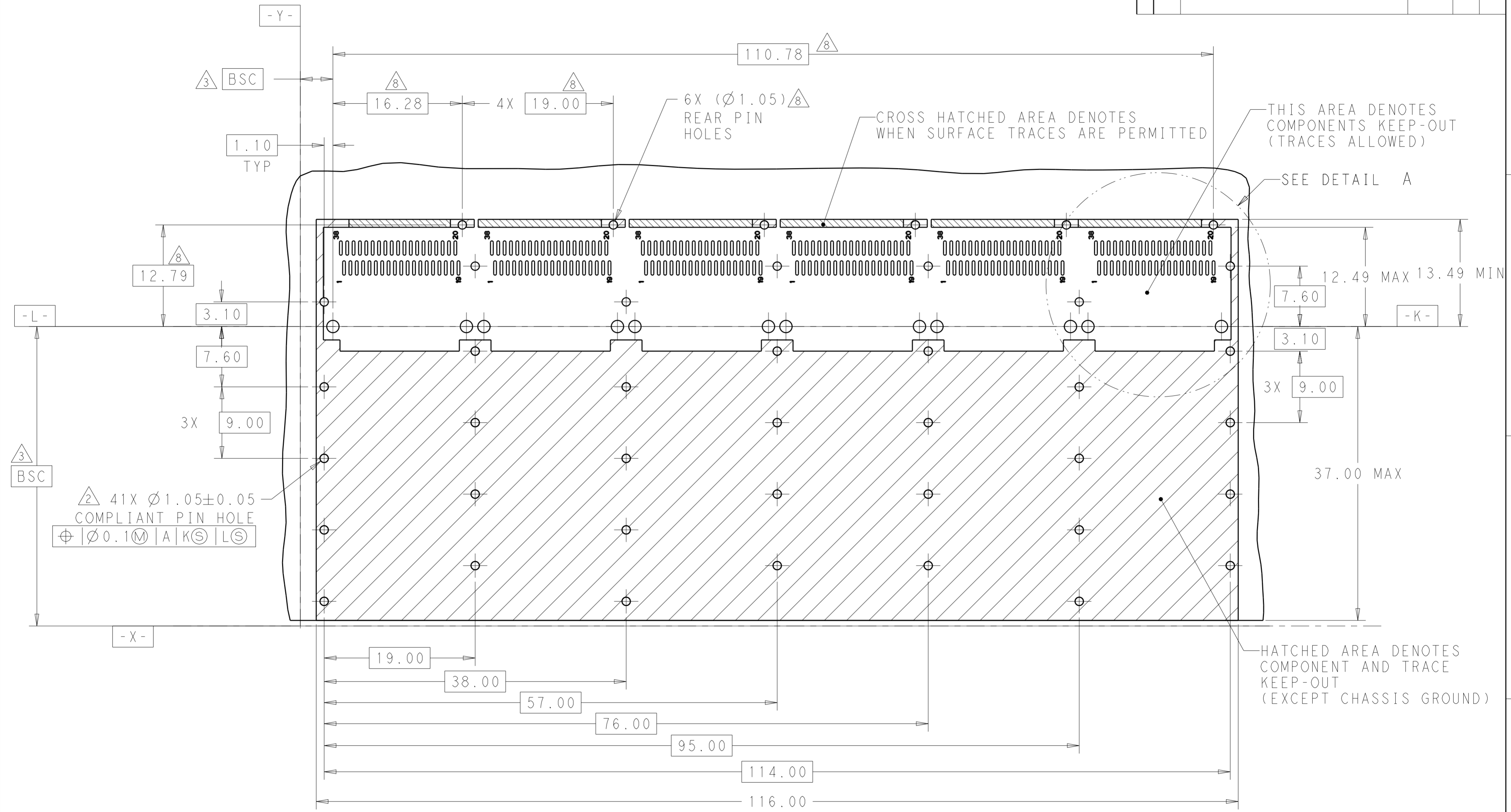
BELLY TO BELLY MOUNTING
SCALE 2:1

PRELIMINARY PART- NOT RELEASED FOR PRODUCTION

| | | | | |
|--|------------------|-----------------------------|--|--|
| THIS DRAWING IS A CONTROLLED DOCUMENT. | | DWN 24OCT2013 JASON YANG | TE Connectivity | |
| DIMENSIONS: mm | | CHK - | | |
| TOLERANCES UNLESS OTHERWISE SPECIFIED: | | APVD - | CAGE ASSEMBLY, 1X6 QSFP28 WITH HEAT SINKS THRU BEZEL, GASKET | |
| 0 PLC ± | 1 PLC ±0.25 | PRODUCT SPEC - | SIZE | |
| 2 PLC ±0.2 | 3 PLC ± | APPLICATION SPEC - | CAGE CODE | |
| 4 PLC ± | ANGLES ± | WEIGHT - | DRAWING NO | |
| MATERIAL SEE NOTES | FINISH SEE NOTES | Customer Drawing | A200779 | |
| | | SCALE 3:1 | SHEET 2 OF 5 | |
| | | REV 1 | RESTRICTED TO - | |

THIS DRAWING IS UNPUBLISHED. RELEASED FOR PUBLICATION 20
 © COPYRIGHT 20 BY - ALL RIGHTS RESERVED.

| REVISIONS | | | | |
|-----------|-----|-------------|------|------|
| P | LTR | DESCRIPTION | DATE | APVD |
| - | - | SEE SHEET 1 | - | - |
| | | | | |
| | | | | |

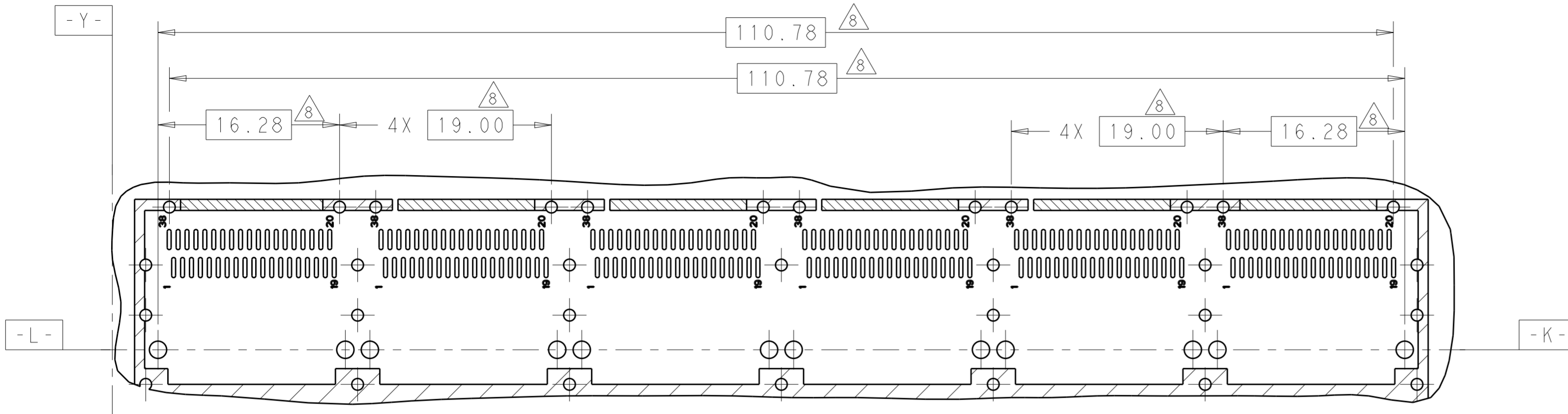


RECOMMENDED PCB LAYOUT
 SINGLE TYPE
 PCB TOLERANCE: ±0.05
 SCALE 3:1

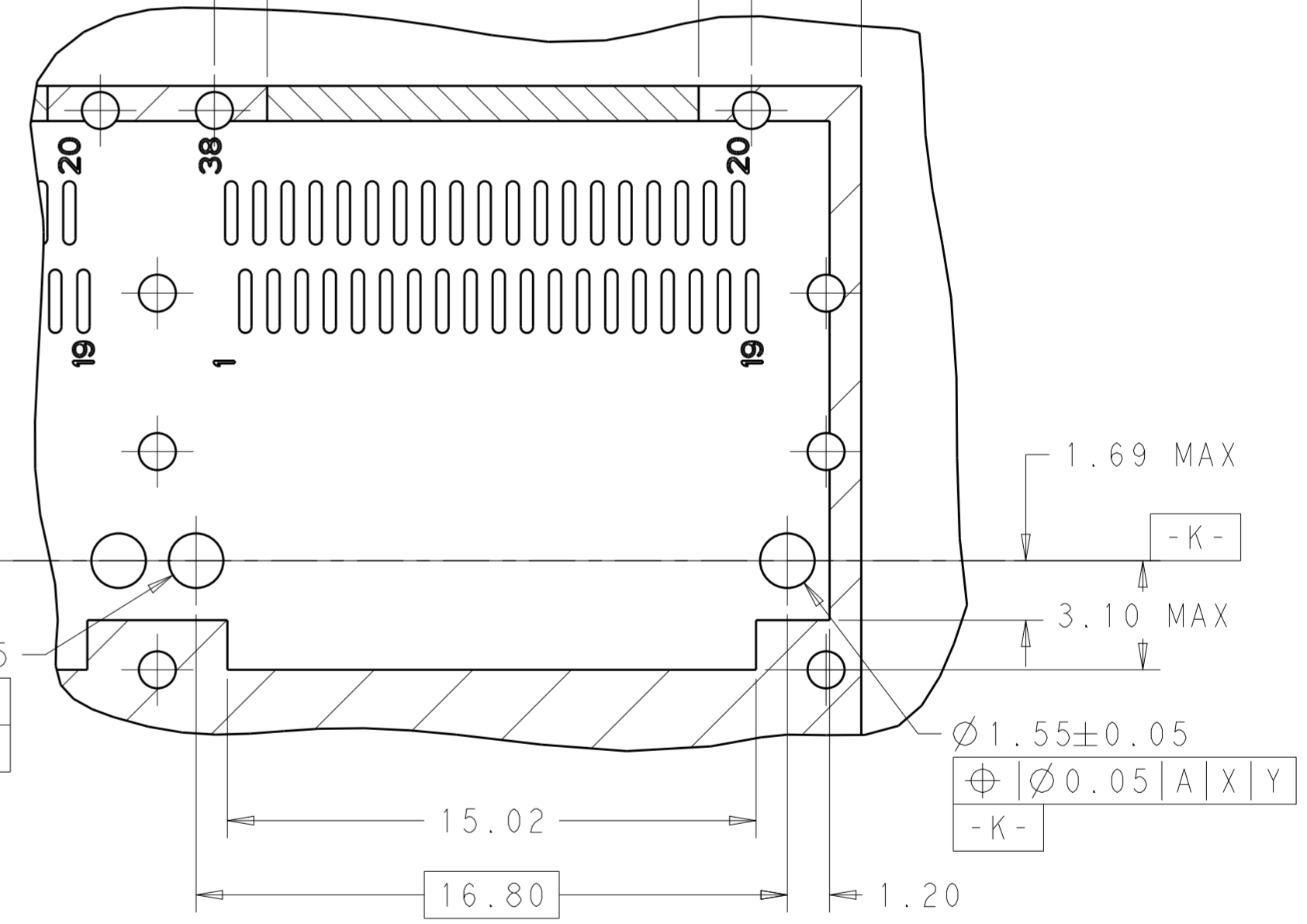
| | | | | |
|--|------------------|-----------------------------|------------------------------|--|
| THIS DRAWING IS A CONTROLLED DOCUMENT. | | DWN 24OCT2013 JASON YANG | TE Connectivity | |
| DIMENSIONS: mm | | CHK - | | |
| TOLERANCES UNLESS OTHERWISE SPECIFIED: | | APVD - | PRODUCT SPEC | |
| 0 PLC ± | 1 PLC ±0.25 | APVD - | APPLICATION SPEC | |
| 2 PLC ±0.2 | 3 PLC ± | APVD - | WEIGHT | |
| 4 PLC ± | ANGLES ± | APVD - | Customer Drawing | |
| MATERIAL SEE NOTES | FINISH SEE NOTES | APVD - | SIZE A2 | |
| | | APVD - | CAGE CODE 00779 | |
| | | APVD - | DRAWING NO C-2170723 | |
| | | APVD - | RESTRICTED TO | |
| | | APVD - | SCALE 3:1 SHEET 3 OF 5 REV 1 | |

THIS DRAWING IS UNPUBLISHED. RELEASED FOR PUBLICATION 20
 © COPYRIGHT 20 BY - ALL RIGHTS RESERVED.

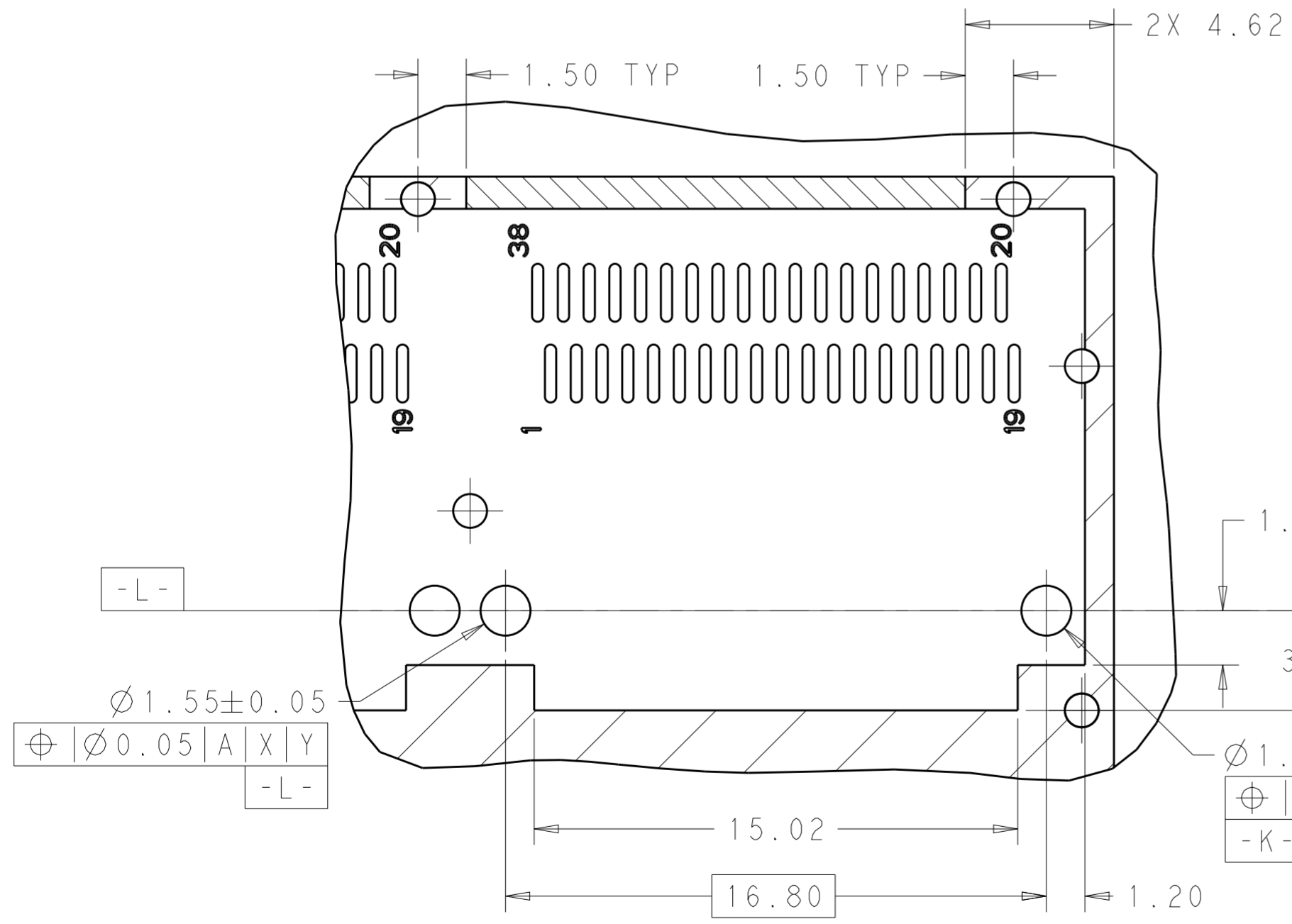
| REVISIONS | | | | |
|-----------|-----|-------------|------|------|
| P | LTR | DESCRIPTION | DATE | APVD |
| - | - | SEE SHEET 1 | - | - |
| | | | | |
| | | | | |



DETAIL D
SCALE 3:1



DETAIL B
SCALE 6:1



DETAIL A
SCALE 6:1

| | | | | |
|--|--|-----------------------------|-----------------|--|
| THIS DRAWING IS A CONTROLLED DOCUMENT. | | DWN 24OCT2013 JASON YANG | TE Connectivity | |
| DIMENSIONS: mm | | CHK - | | |
| TOLERANCES UNLESS OTHERWISE SPECIFIED: | | APVD - | PRODUCT SPEC | CAGE ASSEMBLY, 1X6 QSFP28 WITH HEAT SINKS THRU BEZEL, GASKET |
| 0 PLC ± | | APPLICATION SPEC | SIZE | A200779 |
| 1 PLC ±0.25 | | WEIGHT | CAGE CODE | C-2170723 |
| 2 PLC ±0.2 | | Customer Drawing | DRAWING NO | RESTRICTED TO |
| 3 PLC ± | | SCALE 3:1 | SHEET 5 OF 5 | REV 1 |
| 4 PLC ± | | | | |
| ANGLES ± | | | | |
| FINISH | | | | |
| MATERIAL SEE NOTES | | | | |
| SEE NOTES | | | | |

PRELIMINARY PART- NOT RELEASED FOR PRODUCTION