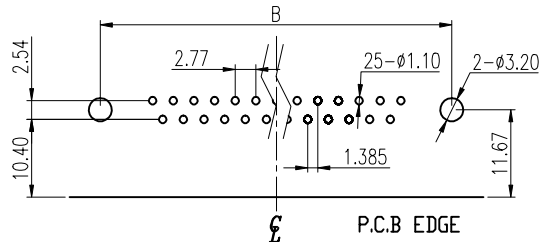
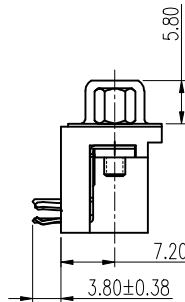
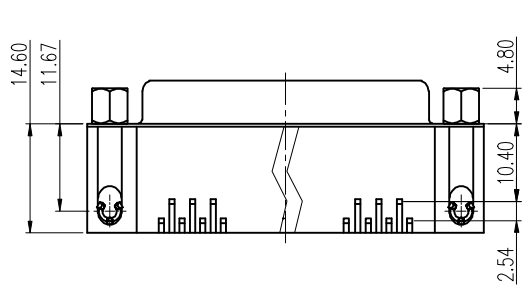
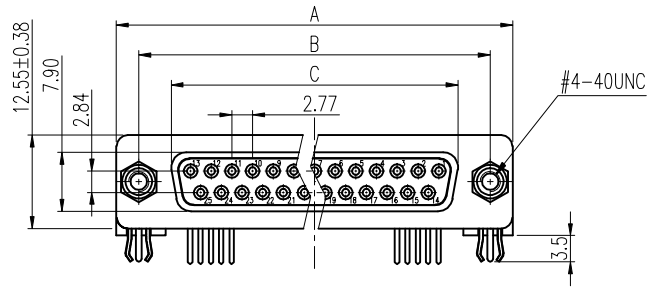


This document is the property of Amphenol Corporation and is delivered on the express condition that it is not to be disclosed, reproduced or used, in whole or in part, for manufacture or sale by anyone other than Amphenol Corporation without its prior consent, & that no right is granted to disclose or to use any information in this document.



RECOMMENDED P.C.B LAYOUT
TOLERANCE: ±0.05



Dimensions

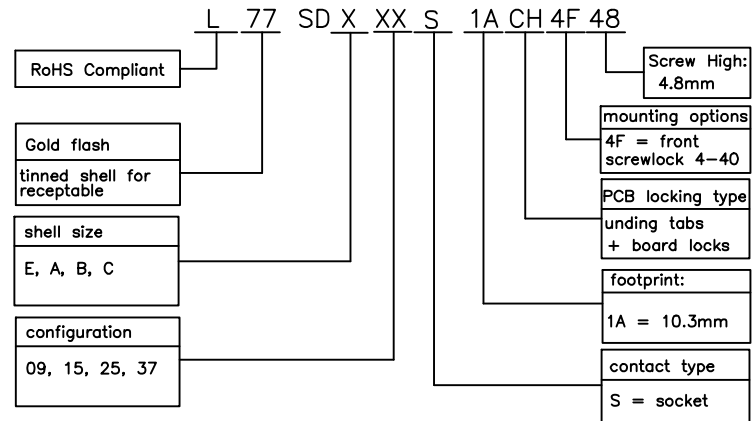
Positions	A	B	C
09	30.81	24.99	16.33
15	39.19	33.32	24.66
25	53.04	47.04	38.38
37	69.32	63.50	54.84

REVISIONS

SYM	ECN	DESCRIPTION	DATE	APPROVED
1		Release drawing	Dec/21/12	Tony

D-SUB TECHNICAL DATA

SHELL: SPCC, 100u" Tin Over 50u" Nickel over 50u" Copper
BODY: Class-Filled Thermoplastic PBT UL 94V-0 Rated, Color: Black
CONTACTS: Copper Alloy
 G/F over 50u" min nickel on mating area.
 100u" min tin over 50u" min nickel on solder area.
BOARDLOCK: Copper Alloy, 100u" min tin over 50u" min nickel
SCREWLOCK: Copper Alloy, Nickel plated.
RIVET: Copper Alloy, Nickel plated.
ELECTRICAL: Contact resistance 25 mOhms max.
 Insulation resistance >1000 M Ohms
 Withstanding voltage >1000V Rms to 60 Hz for one minute
 Current rating 3A
 Voltage rating 250V Rms to 60Hz
CLIMATIC: Temperature rang: -55°C up to 85°C
MARKING: Amphenol-...(Series No.)
 Commercial reference
 Manufacturing date



UNLESS OTHERWISE SPECIFIED TOLERANCES		APPROVAL		DATE
U.S.	METRIC	DRAWN	ES. Cus	Dec/21/12
.X +/-	0.50	CHECKED	Tony	Dec/21/12
.XX +/-	0.30	CHECKED		
.XXX +/-	0.20			
FRACTIONS +/-				
ANGLES +/-	2'			
FOR MATERIALS AND FINISHES SEE NOTES		DRAWING FILE :		
REMOVE SHARP EDGES		ANGLE OF PROJECTION		
DIMENSIONS				
U.S.	INCHES			
METRIC	MM			

Amphenol

TITLE
D-sub, R/A type, Screw H:4.8mm

SIZE	DRAWING NO.	REV.
A4	L77SDXXXS1ACH4F48	1
SCALE	NONE	SHEET 1 OF 1