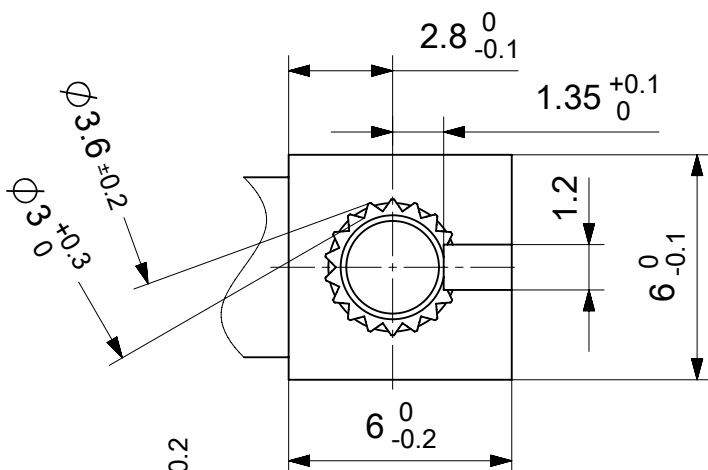
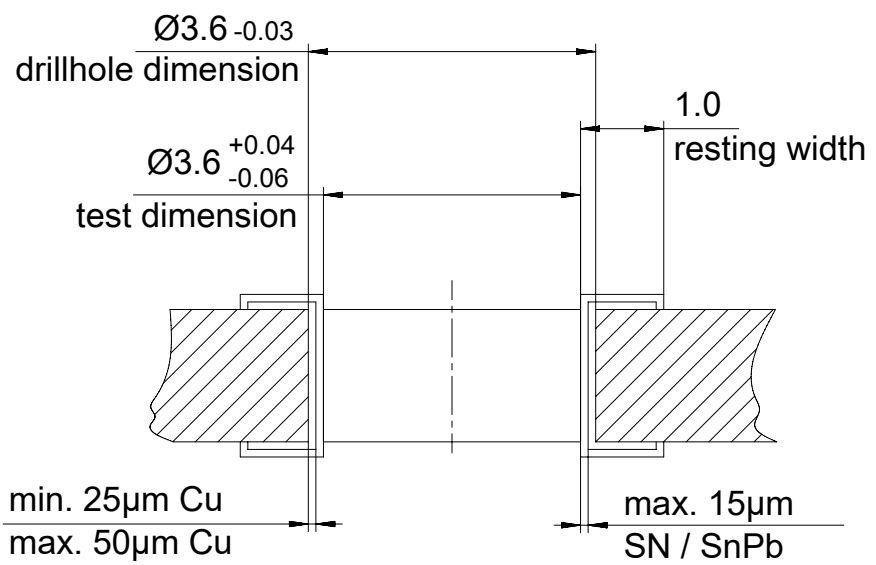


2:1



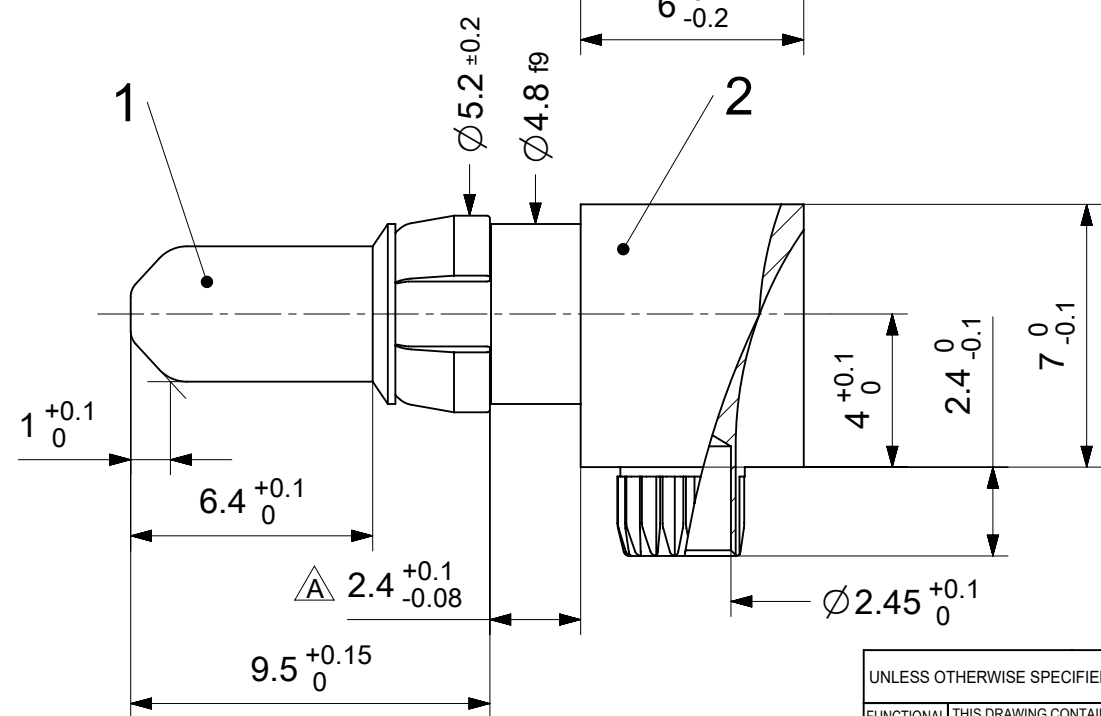
Hole design for EP-contact



RoHS compliant
by exemption

⚠ Dimension is not according DIN 41626

1731120321	FMP157P103	103
Material Number	FCT Part Number	Material + Finish See extra sheet



Derating test
has to be performed

UNLESS OTHERWISE SPECIFIED DIMENSIONS FOR REFERENCE ONLY				REPLACEMENT FOR DOCUMENT NUMBER: FMP157P				
THIS DRAWING CONTAINS INFORMATION THAT IS PROPRIETARY TO MOLEX ELECTRONIC TECHNOLOGIES, LLC AND SHOULD NOT BE USED WITHOUT WRITTEN PERMISSION								
FUNCTIONAL SYMBOLS	DIMENSION UNITS	SCALE	CURRENT REV DESC:					
FA = 0	mm	5:1	EC NO: 686935 DRWN: FVETTER 2021/11/29 CHK'D: MTEUBEL 2021/11/30 APPR: MTEUBEL 2021/11/30					
FE = 0	GENERAL TOLERANCES (UNLESS SPECIFIED)							
FP = 0	ANGULAR TOL ± °							
DIVISIONAL SYMBOLS	4 PLACES	±						
	3 PLACES	±	INITIAL REVISION: DRWN: VLOKESHA 2021/04/09 APPR: MTEUBEL 2021/11/25					
	2 PLACES	±						
	1 PLACE	±						
	0 PLACES	±	DOCUMENT NUMBER		DOC TYPE		DOC PART	REVISION
DRAFT WHERE APPLICABLE MUST REMAIN WITHIN DIMENSIONS			FIRST ANGLE PROJECTION	DRAWING	SERIES	MATERIAL NUMBER	CUSTOMER	SHEET NUMBER
				A4-SIZE	173112	SEE TABLE	GENERAL MARKET	1 OF 1

molex

FCT 40A HIGH POWER CONTACT
FOR EN 60603-2

PRODUCT CUSTOMER DRAWING

DOCUMENT NUMBER	DOC TYPE	DOC PART	REVISION
1731120321	PSD	000	A1