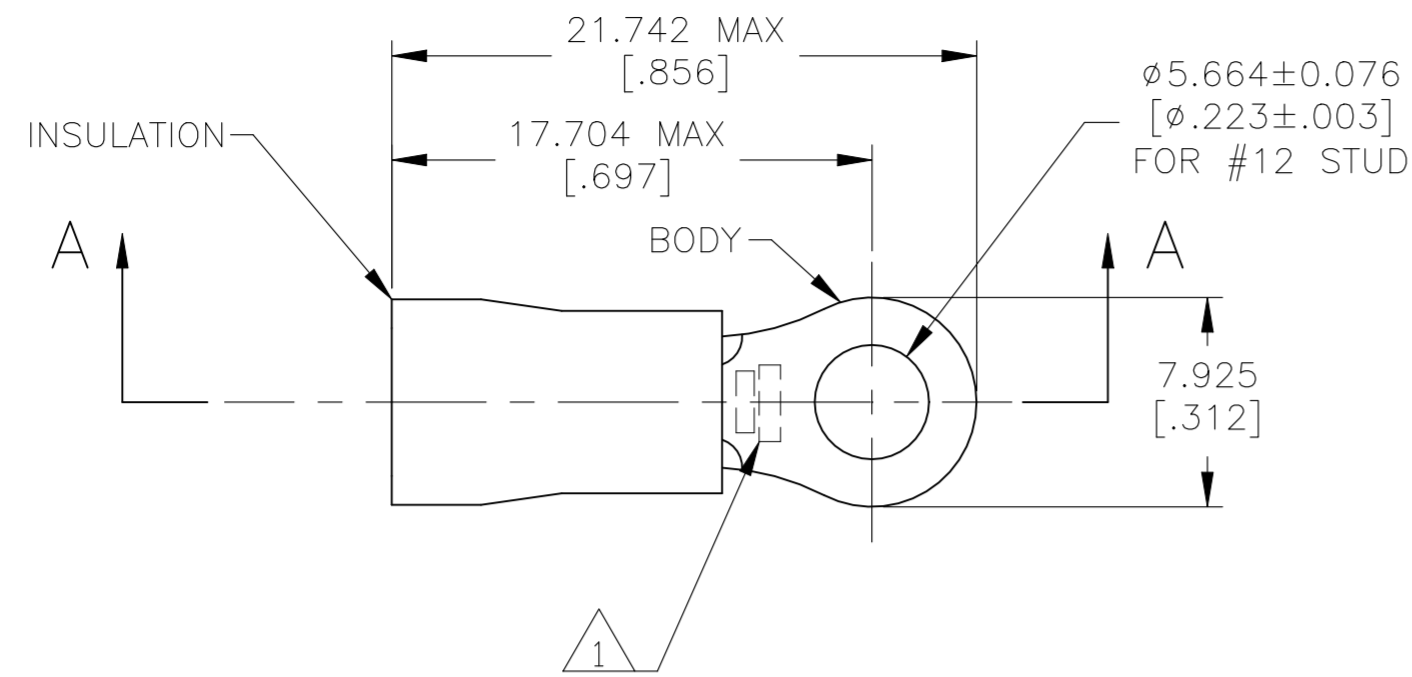
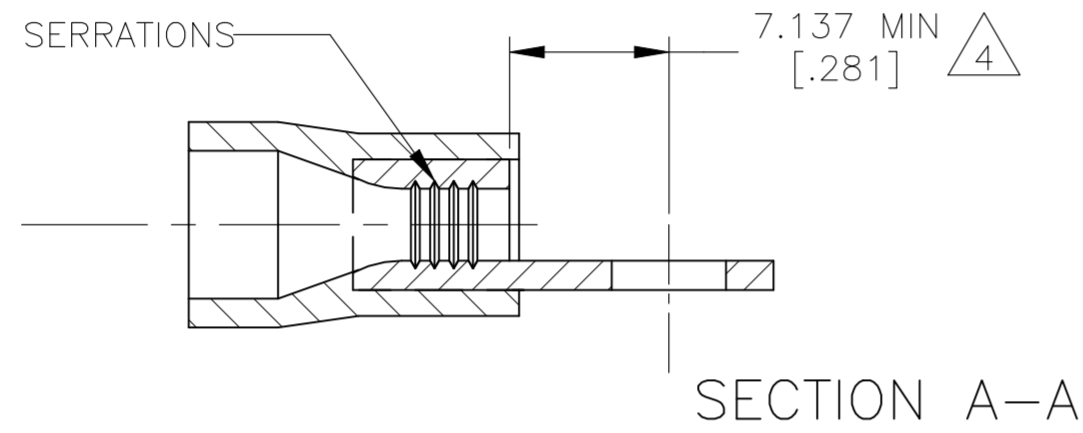


REVISIONS					
P	LTR	DESCRIPTION	DATE	DWN	APVD
R2		REV PER ECR-22-149320	18AUG2022	LP	DSC



**AMP**  
WIRE RANGE  
22-16 AWG  
SOLID OR STRANDED

- 1 STAMP AMP 22-18\* APPROX AS SHOWN  
WIRE RANGE IS 22-16 AWG
- 2 WIRE INSULATION DIAMETER:  
ø2.667[ø.105] TO ø3.556[ø.140]
- 3 BODY MATERIAL THK: 0.787±0.051[.031±.002]
- 4 DIMENSION APPLIES FROM EDGE OF METAL WIRE BARREL TO  
CENTER OF STUD HOLE
- 5 SUPERSEDED BY 324104-1
- 6 MATERIAL:  
BODY - COPPER PER ASTM B152  
INSULATION - PVC
- 7 FINISH:  
BODY - TIN PLATE 0.00254[.000100] MIN EXT THK PER ASTM B545  
INSULATION COLOR - RED



LOOSE PIECE, PLASTIC BAG W/HEADER	100	5	7-342104-1
LOOSE PIECE, PLASTIC BOX	100	5	6-342104-1
TAPE & REEL	5000		2-342104-1
LOOSE PIECE	1000		342104-1
PACKAGE TYPE	QTY		PART NO

**AMP INCORPORATED  
CUSTOMER SERVICE SYSTEMS**

MAX RECOMMENDED OPERATING  
TEMPERATURE:  
105°C [221°F]

FOR ADDITIONAL  
PRODUCT INFORMATION OR  
COPIES OF DRAWINGS  
AND TECHNICAL DOCUMENTS

PRODUCT INFORMATION CENTER  
1-800-522-6752

VOLTAGE RATING:  
600V MAX  
(1000V FIXTURE OR SIGN)

FOR APPLICATION  
TOOLING INFORMATION

TOOLING ASSISTANCE CENTER  
1-800-722-1111

WIRE CROSS SECTIONAL AREA RANGE:  
0.26-1.65mm<sup>2</sup> [509-3260]  
SOLID OR STRANDED

FOR ORDER ENTRY

1-800-526-5142

THIS DRAWING IS A CONTROLLED DOCUMENT FOR  
AMP INCORPORATED. IT IS SUBJECT TO CHANGE  
AND THE CONTROLLING ENGINEERING ORGANIZATION  
SHOULD BE CONTACTED FOR THE LATEST REVISION.

THIS DRAWING IS A CONTROLLED DOCUMENT.		DWN jr ruth 02DEC05	TE Connectivity	
DIMENSIONS: mm [INCHES]		CHK T MICHELUTTI 02DEC05	NAME MICHELUTTI	
TOLERANCES UNLESS OTHERWISE SPECIFIED:		APVD T MICHELUTTI 02DEC05	PRODUCT SPEC	
0 PLC ± -		APPLICATION SPEC		
1 PLC ± -		114-2161		
2 PLC ± -		WEIGHT -		
3 PLC ± 0.127[.005]		SIZE A2 CAGE CODE 00779 DRAWING NO C=342104 RESTRICTED TO -		
4 PLC ± -		SCALE 5:1 SHEET 1 OF 1 REV R2		
ANGLES ± -		CUSTOMER DRAWING		
MATERIAL 6		FINISH 7		