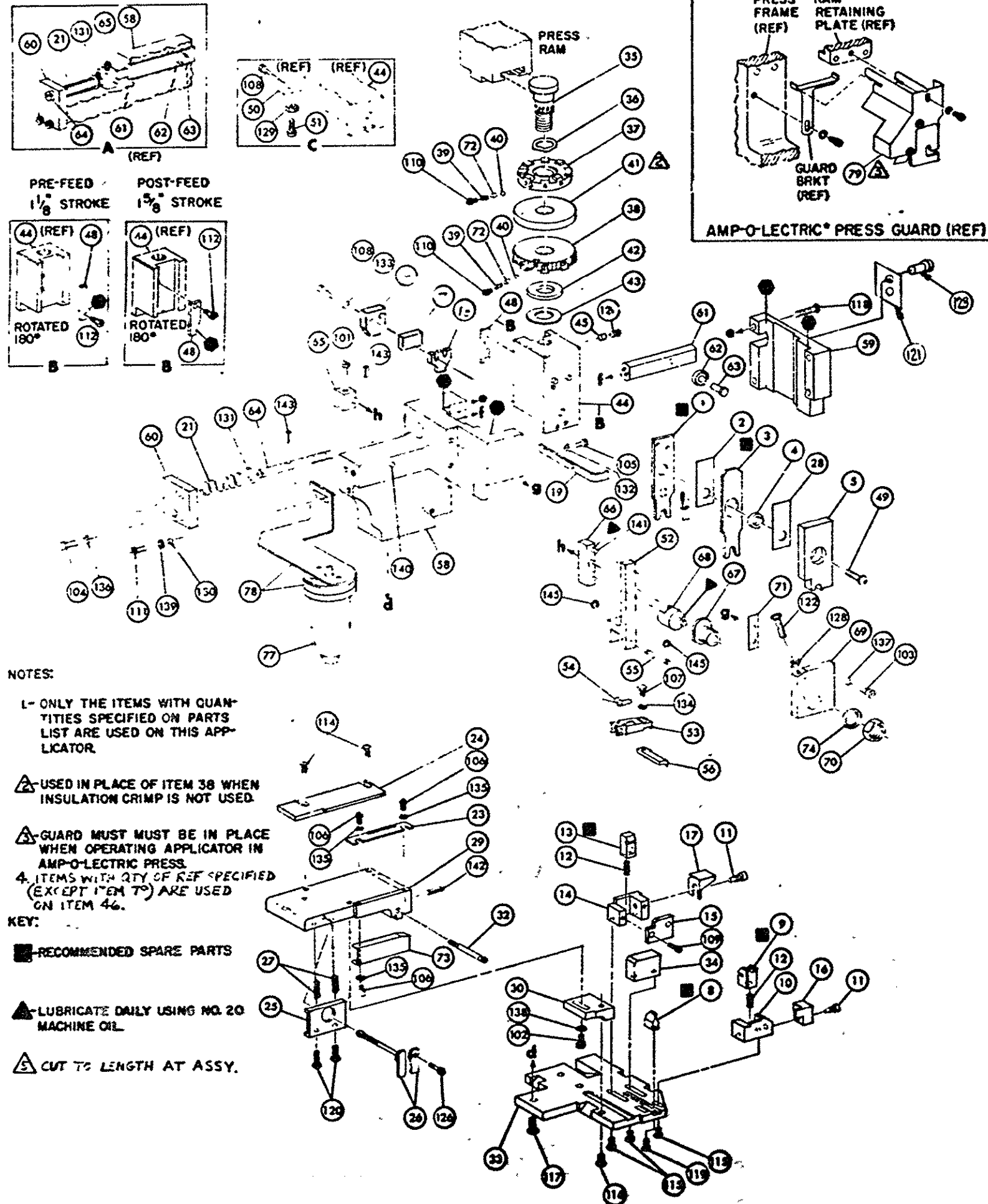


THIS IS A CONTROLLED DOCUMENT.



- NOTES:
- L- ONLY THE ITEMS WITH QUANTITIES SPECIFIED ON PARTS LIST ARE USED ON THIS APPLICATOR.
  - ▲ USED IN PLACE OF ITEM 38 WHEN INSULATION CRIMP IS NOT USED.
  - ▲ GUARD MUST BE IN PLACE WHEN OPERATING APPLICATOR IN AMP-O-LECTRIC PRESS.
  - 4. ITEMS WITH QTY OF REF SPECIFIED (EXCEPT ITEM 79) ARE USED ON ITEM 46.
- KEY:
- RECOMMENDED SPARE PARTS
  - ▲ LUBRICATE DAILY USING NO. 20 MACHINE OIL.
  - ▲ CUT TO LENGTH AT ASSY.

REF	21043-3	RING, RETAINING "C" (.187 DIA) FEED FINGER PIN	143	REF	45420-1	CAP, HOUSING	149
					454485-1	HOUSING	150
REF	5-21028-1	PIN, SLOT SPR (.125 DIA X .50) ADJ ROD	143				
	4-21028-0	PIN, SLOT SPR (.093 DIA X .75) STR G PLATE	142	1	690542-2	PAWL, FEED	156
REF	1-21030-1	PIN, DOWEL (.187 DIA X .50) LEVER	141	REF	240624-1	PIN, FEED FINGER	155
REF	1-21030-6	PIN, DOWEL (.187 DIA X 1.25) HOUSING	140	REF	691499-1	SPRING, FEED FINGER	154
	21024-5	WASHER, LOCK (NO 10) LUB ASSY	139	REF	690541-1	FINGER, FEED	153
	21024-5	WASHER, LOCK (NO 10) STRIP GUIDE ADJ BLOCK	137	REF	455679-1	LEVER, TERMINAL FEED ARM	152
REF	21024-5	WASHER, LOCK (NO 10) ADJ PLATE	137			BUMPER, HOLDDOWN	151
REF	21024-5	WASHER, LOCK (NO 10) FEED GUIDE ROD	136			SPACER, TONKER	150
	21024-2	WASHER, LOCK (NO 4) FRONT STRIP GUIDE	135	1	7-21002-9	BOLT, CRIMPER	149
	21024-4	WASHER, LOCK (NO 8) FEED FINGER	134	1	690501-4	CAM, POST FEED	148
	21024-4	WASHER, LOCK (NO 8) DEPRESSOR	133				147
	21024-4	WASHER, LOCK (NO 8) STRIPPER	132		459456-1	APPLICATOR, BASIC (SUB ASSY)	146
REF	21024-4	WASHER, FLAT (5/16 DIA) SCREW ADJ	131	1	690191-1	PLUG, NYLON	145
	21024-2	WASHER, FLAT (NO 10) LUB ASSY	130	1	455673-1	RAM	144
	21068-9	NUT, HEX MACH (6-32) HOLDDOWN	129	1	690125-1	WASHER, LAMINATED	143
REF	21018-5	NUT, HEX MACH (6-32) FEED ADJ	128	1	690124-1	WASHER, RAM	142
			127			DISC, SPACER	141
	22353-8	SCR, SHLD. (.187 DIA X .250 LG) DRAG LEVER	126	2	23241-6	BALL, STEEL	140
			125	2	690170-1	SPRING, COMPRESSION	139
1	21009-2	SCR, SKT SET (1/4-20 X .25) (LOC-WEL) RAM	124	1	690142-1	DISC, INSULATION	138
2	21017-2	SCREW, DRIVE, # 2 X .19	123	1	9-690692-9	DISC, WIRE	137
REF	6-23715-5	SCR, RD HD MACH (6-32 X 1.50) FEED ADJ	122	1	22480-5	WASHER, SPRING	136
	4-61264-1	PLATE, IDENTIFICATION	121	1	690212-1	POST, RA" #	135
1	2-21002-9	SCR, BUT HD SKT CAP (8-32 X .75) DRAG	120			SUPPORT, TERMINAL	134
2	22733-8	SCR, BUT HD SKT CAP (8-32 X .38) (LOC-WEL) ANVIL	119	REF	455675-1	PLATE, BASE	133
REF	2-21002-9	SCR, BUT HD SKT CAP (10-32 X .75) CAP	118	1	690432-3	SCREW, ADJUSTMENT	132
REF	17177-1	SCR, BUT HD SKT CAP (1/4-20 X .75) HOUSING	117				131
REF	2-21002-7	SCR, BUT HD SKT CAP (10-32 X .50) SG ADJ BLOCK	116	REF	455689-1	BLOCK, STRIP GUIDE ADJ	130
4	2-21002-2	SCR, BUT HD SKT CAP (8-32 X .50) SHEAR	115	1	455671-2	PLATE, STRIP GUIDE	129
2	2-21002-2	SCR, BUT HD SKT CAP (8-32 X .50) R STRIP GUIDE	114	1	1-455888-0	SPACER, FRONT SHEAR DEPRESSOR	128
			113	2	1-22284-0	SPRING, DRAG	127
1	1-21002-7	SCR, BUT HD SKT CAP (8-32 X .38) CAM	112	1	690546-1	LEVER, DRAG RELEASE	126
	3-21000-4	SCR, SKT HD CAP (10-32 X .38) LUBRICATOR ASSY	111	1	240792-1	DRAG, STOCK	125
2	23030-1	SCR, SKT HD CAP (8-32 X .25) (LOC-WEL) CP DISC	110	1	7-690504-1	GUIDE STRIP (REAR)	124
2	1-21000-8	SCR, SKT HD CAP (8-32 X .75) REAR SHEAR PLATE	109	1	690438-1	GUIDE, STRIP (FRONT)	123
2	3-21000-0	SCR, SKT HD CAP (8-32 X .82) DEPRESSOR	108				122
1	2-22603-0	SCR, HEX HD MACH (8-32 X .31) FEED FINGER	107	REF	4-22284-8	SPRING, FEED RETURN	121
2	2-21000-3	SCR, SKT HD CAP (4-40 X .25) F STRIP GUIDE	106				120
1	2-21000-7	SCR, SKT HD CAP (8-32 X .50) STRIPPER	105	1	1-690472-1	STRIPPER	119
REF	3-21000-7	SCR, SKT HD CAP (10-32 X .75) FEED ROD GUIDE	104	1	1-690518-2	HOLDER, TERMINAL	118
REF	3-21000-6	SCR, SKT HD CAP (10-32 X .62) FEED ADJ BLOCK	103	1	691668-1	GUARD, CHIP (REAR)	117
1	3-21000-4	SCR, SKT HD CAP (10-32 X .38) SG ADJ BLOCK	102	1	691667-1	GUARD, CHIP (FRONT)	116
REF	3-21000-4	SCR, SKT HD CAP (10-32 X .38) SG ADJ BLOCK	101	1	690691-9	PLATE, SHEAR (REAR)	115
REF	455749-1	GUARD, WINDOW	79	1	690462-1	HOLDER, SHEAR (REAR)	114
	1-465184-0	LUBRICATOR ASSY	78	1	690463-1	SHEAR, FLOAT (REAR)	113
		OIL, LUBRICATING	77	2	5-22280-0	SPRING, SHEAR	112
			76	2	690481-1	STOP, SHEAR	111
			75	1	690459-1	HOLDER, SHEAR (FRONT)	110
			74	1	454276-1	SHEAR, FLOAT (FRONT)	109
REF	458109-1	WASHER, SPECIAL	73	1	7-690471-0	ANVIL	108
2	690603-1	SPRING, ASSIST	72	1	6-240641-3	SPACER, DEPRESSOR (REAR)	107
REF	690517-1	SPACER	71	1	690468-1	DEPRESSOR, SHEAR (REAR)	106
	22594-8	NUT, HEX	70	1	455889-9	DEPRESSOR, SHEAR (FRONT)	105
	240628-1	PLATE, ADJUSTMENT	69	1	2-238011-2	SPACER, TUBULAR, INS CRIMPER	104
	240628-1	SHAFT, PIVOT	68	1	4-454135-4	CRIMPER, INSULATION	103
	240633-1	BUSHING	67	1	455888-3	SPACER, CRIMPER	102
	455680-1	LEVER, INTERMEDIATE	66	1	2-454403-0	CRIMPER, WIRE	101
	240629-1	BLOCK, PIVOT	65				100
	240632-2	SCREW, ADJUSTMENT FEED ROD	64				99
	240639-3	PIN, CAM ROLLER	63				98
	240639-1	ROLLER, CAM	62				97
	454398-2	ROD, FEED	61				96
REF	454178-1	GUIDE, FEED ROD	60				95
QTY	PART NO	DESCRIPTION	125				94

CRIMPING DATA				APPLICATOR WILL APPLY	
PAD LTR	CRIMP HEIGHT	WIRE SIZE	STRIP LENGTH		
A	.046	18			593449
B	.040	20 OR 0.90mm <sup>2</sup>			530235
C	.037	22			531478
D	NOT USED				531482

CRIMP	SIZE	TYPE	FEED	APPL. INST
WIRE	.042	F	.330	AI 8040
INSUL.	.090	O		

REMARKS	NO	REV
APPL. USED ON MACHINE PART NO	MACH SERIAL NO	DISTRIBUTION
CUSTOMER NAME	APPL SERIAL NO	ORIGINAL
ADDRESS	PURCHASE ORDER	CUSTOMER COPY
CITY	ENS APP	FIELD ENG COPY

AMPOMATOR POST FEED  
APPLICATION SPEC 114-9004  
(REF) I.D. PLATE: 461264-1

AMP INCORPORATED  
466713-1  
REV F3

466713-1

66

AMP 2903-3 (8-73)

CUSTOMER AND ASSEMBLY DRAWING