

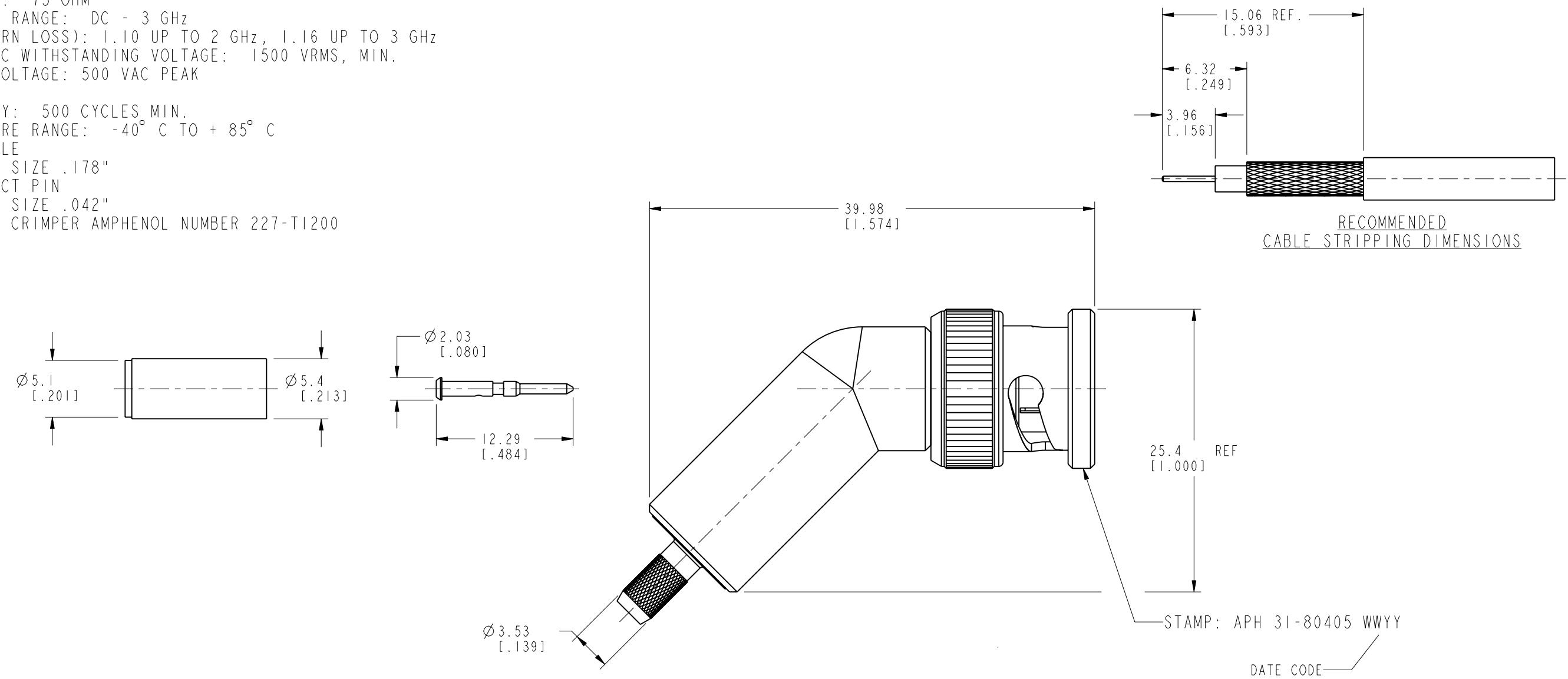
NOTES:

1. MATERIALS AND FINISHES:
 OUTER CONTACT- PHOSPHOR BRONZE, NICKEL PLATING (.0001 THICK)
 FRONT BODY - ZINC ALLOY, NICKEL PLATING (.00015 THICK)
 CRIMP CONTACT - BRASS, GOLD PLATING (.00003 THICK)
 INSULATOR - PTFE
2. ELECTRICAL:
 A. IMPEDANCE: 75 OHM
 B. FREQUENCY RANGE: DC - 3 GHz
 C. VSWR(RETURN LOSS): 1.10 UP TO 2 GHz, 1.16 UP TO 3 GHz
 D. DIELECTRIC WITHSTANDING VOLTAGE: 1500 VRMS, MIN.
 E. WORKING VOLTAGE: 500 VAC PEAK
3. MECHANICAL:
 A. DURABILITY: 500 CYCLES MIN.
 B. TEMPERATURE RANGE: -40° C TO + 85° C
3. CRIMPED FERRULE
 HEX CRIMP SIZE .178"
4. CRIMPED CONTACT PIN
 SQ. CRIMP SIZE .042"
 OR A 8 PT CRIMPER AMPHENOL NUMBER 227-T1200

THIRD ANGLE PROJ.

REVISIONS

REV	DESCRIPTION	DATE	ECO	APPR
A	RELEASE TO MFG	8/17/06	46206	GSA
B	SEE SHEET 1	8/6/07	46681	TC
C	227-T1200 WAS CTL-T1200\RD-DM110704011	15-Jul-11	48649	DH
D	STAMP WAS CHANGED/ RD-DM110825011	07-Sep-11	48757	SCOTT



CUSTOMER OUTLINE DRAWING
 ALL OTHER SHEETS ARE FOR INTERNAL USE ONLY

UNLESS OTHERWISE SPECIFIED, DIMENSIONS ARE IN METRIC AND TOLERANCES ARE: <0.5mm ±0.05mm 0.5 - 6mm ±0.1mm 6 - 30mm ±0.2mm 30 - 120mm ±0.3mm ANGLES ±1°	MATERIAL	DRAWN	DATE	TITLE BNC 45° ANGLE PLUG BNC, PLUG		Amphenol RF Danbury CT USA, Tainan, Taiwan, Shenzhen, China www.amphenolrf.com	
	SEE NOTE	I.XU	26-Aug-11				
NOTICE - These drawings, specifications, or other data (1) are, and remain the property of Amphenol corp. (2) must be returned upon request; and (3) are confidential and not to be disclosed to any person other than those to whom they are given by Amphenol Corp. the finishing of these drawings, specifications, or other data by Amphenol Corp., or to any other person to anyone for any purpose is not to be regarded by implication or otherwise in any manner licensing, granting rights to permitting such holder or any other person to manufacture, use or sell any product, process or design, patented or otherwise, that may in any way be related to or disclosed by said drawings, specifications, or other data.	REFERENCE	ENGINEER	DATE	SCALE: 2.5:1.0 SHEET 2 OF 2		DRAWING NO.31-80405 ITEM NO.31-80405	
	EAR# 1674 AND	G.ANTONINI	21-Mar-05				
	CONFIGURATION LEVEL:	APPROVED	DATE		DWG SIZE REV B D		PART NO.31-80405
FINISH	S.HSIEH	05-Sep-11					
		CAD FILE					
		I:/BNC/31-80405-ASM					