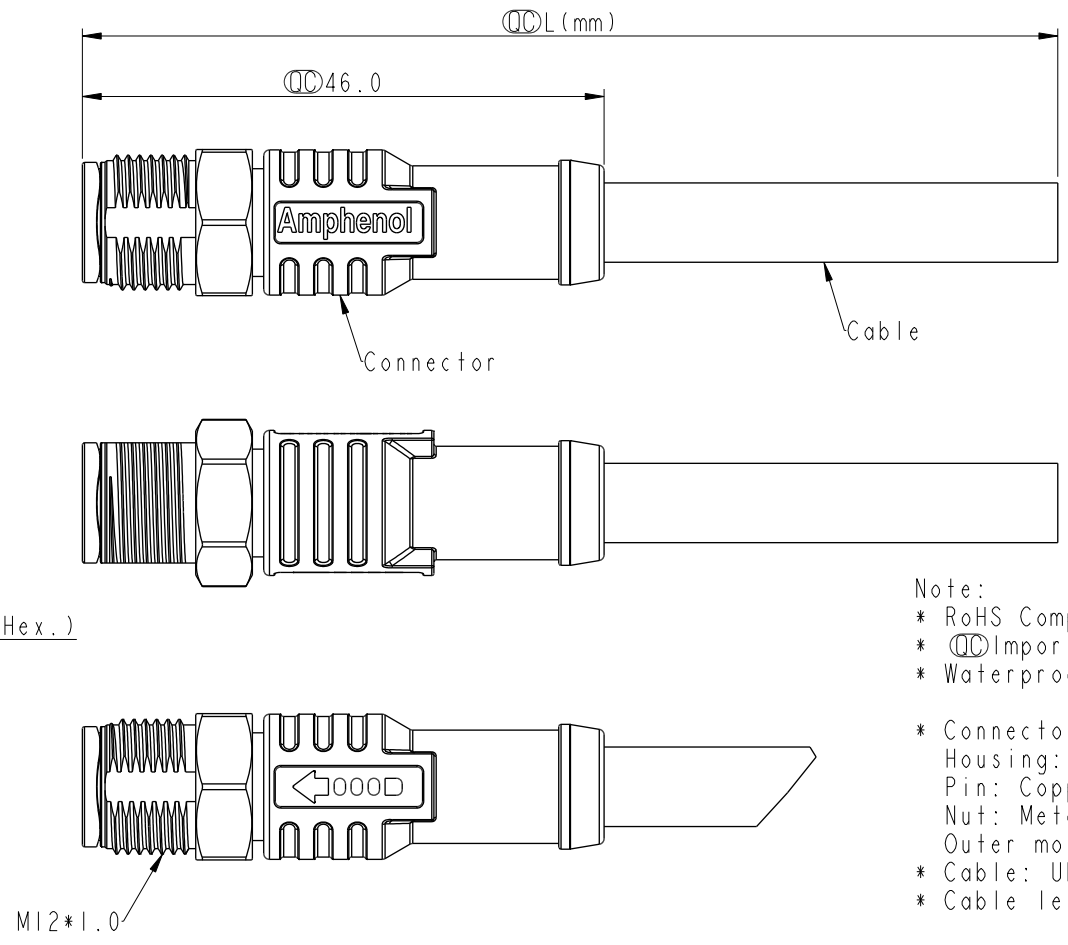

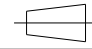


THIS DOCUMENT IS SUBJECT TO CHANGE WITHOUT NOTICE. IT IS CONFIDENTIAL AND A PROPERTY OF Amphenol LTW. DISCLOSURE TO THIRD PARTY HAS TO BE AUTHORIZED BY Amphenol LTW.

| REV. | ECN NO. | DATE | SIGN | DESCRIPTION |
|------|---------|------------|-----------|-----------------|
| A | | 2021-08-16 | Allen Pan | Rev.02 To Rev.A |
| | | | | |
| | | | | |



- Note:
- * RoHS Compliant
 - * \varnothing Important Dimension
 - * Waterproof rate: IPX8, mated 1m/24h
IPX9K, mated
 - * Connector
 - Housing: Thermoplastic, Black
 - Pin: Copper Alloy, Gold Plated
 - Nut: Metal
 - Outer mold: Thermoplastic, Black
 - * Cable: UL2517, PVC Jacket, Black
 - * Cable length tolerance: 1M: +50/-0 mm
 - 1M < L ≤ 3M: +100/-0 mm
 - 3M < L ≤ 5M: +150/-0 mm
 - 5M < L ≤ 10M: ±100 mm
 - 10M < L ≤ 20M: ±200 mm
 - 20M < L ≤ 30M: ±300 mm
 - 30M < L ≤ 99M: ±500 mm

UNIT: mm  

TOLERANCE

±0.5mm

| | | | |
|---|----------------|---------------------------------|--|
| TITLE N SEN, M12 A-STAINLESS, SCREW CABLE W/O SR, M, M, MOLDING | | | |
| SCALE 3:2 | SIZE A4 | SHEET 1 OF 2 | |
| REV. A | WC-REV. A.1 | \varnothing : Inspection item | |

Amphenol LTW

安費諾亮泰企業股份有限公司

| | | |
|--------------------------------|-------------------------|--------------------|
| ITEM NO. | DRAWN BY Allen Pan | DATE 2021-08-16 |
| DWG NO. SM12A-XXBMMM-SL8DXX | CHECKED BY Sam Ho | DATE 2021-08-16 |
| CUSTOMER ALTW | APPROVED BY Fred Lee | DATE 2021-08-16 |

THIS DOCUMENT IS SUBJECT TO CHANGE WITHOUT NOTICE. IT IS CONFIDENTIAL AND A PROPERTY OF AMPHENOL LTW. DISCLOSURE TO THIRD PARTY HAS TO BE AUTHORIZED BY AMPHENOL LTW.

| | | | | | |
|---|---|----------|----------|-----|---------------------|
| F | <p>SM12A-XXBMMM-SL8DXX</p> <p>XX: No. Of Pin</p> <p>XX: 01~99Meters 01: 01Meter 02: 02Meters : 99: 99Meters</p> | 17P | 7.0 | 26 | SM12A-17BMMM-SL8DXX |
| | | 12P | 6.0 | | SM12A-12BMMM-SL8DXX |
| | | 10P | | | SM12A-10BMMM-SL8DXX |
| | | 8P | 5.5 | 24 | SM12A-08BMMM-SL8DXX |
| | | 6P | 5.0 | | SM12A-06BMMM-SL8DXX |
| | | 5P | 5.1 | 22 | SM12A-05BMMM-SL8DXX |
| | | 4P | 4.8 | | SM12A-04BMMM-SL8DXX |
| | | 3P | 4.5 | | SM12A-03BMMM-SL8DXX |
| | | Contacts | Cable OD | AWG | Item No. |

| | | | | | | | | | |
|---|---------|---------|---------|---------|----------|----------|-----------|--------------|-----------------|
| C | Pin Out | 5 -- | 5 -- | 5 Gray | 8 -- | 8 Red | 12 -- | 12 Red/Blue | 17 White/Gray |
| | | 4 Black | 4 Black | 4 Black | 7 Blue | 7 Blue | 11 -- | 11 Gray/Pink | 16 Yellow/Brown |
| | | 3 Blue | 3 Blue | 3 Blue | 6 Pink | 6 Pink | 10 Violet | 10 Violet | 15 White/Yellow |
| | | 2 -- | 2 White | 2 White | 5 -- | 5 Gray | 9 Black | 9 Black | 14 Brown/Green |
| | | 1 Brown | 1 Brown | 1 Brown | 4 Yellow | 4 Yellow | 8 Red | 8 Red | 13 White/Green |
| | | | | | 3 Green | 3 Green | 7 Blue | 7 Blue | 12 Red/Blue |
| | | | | | 2 Brown | 2 Brown | 6 Pink | 6 Pink | 11 Gray/Pink |
| | | | | | 1 White | 1 White | 5 Gray | 5 Gray | 10 Violet |
| | | | | | | | 4 Yellow | 4 Yellow | 9 Red |
| | | | | | | | 3 Green | 3 Green | 8 Gray |
| | | | | | | | 2 Brown | 2 Brown | 7 Black |
| | | | | | | | 1 White | 1 White | 6 Yellow |
| | | | | | | | | | 5 Pink |
| | | | | | | | | | 4 Green |
| | | | | | | | | | 3 White |
| | | | | | | | | | 2 Blue |
| | | | | | | | | | 1 Brown |
| | | | | | | | | | |
| | | | | | | | | | |

Pin Assignments Front View

| | | | | | | | | | |
|---|-----------|--|---|-------------|---------------------|--|---------------------|-------------|------------|
| A | UNIT:mm | | TITLE N SEN, M12 A-STAINLESS, SCREW CABLE W/O SR, M, M, MOLDING | | | <h1>Amphenol LTW</h1> <p>安費諾亮泰企業股份有限公司</p> | ITEM NO | DRAWN BY | DATE |
| | TOLERANCE | | SCALE | SIZE | SHEET | | DWG NO | CHECKED BY | DATE |
| | ±0.5mm | | 3:2 | A4 | 2 OF 2 | | SM12A-XXBMMM-SL8DXX | Sam Ho | 2021-08-16 |
| | | | REV. A | WC-REV. A.1 | QC: Inspection item | | CUSTOMER | APPROVED BY | DATE |
| | | | | | ALTW | Fred Lee | 2021-08-16 | | |