



PRODUCT DATASHEET

Ronda series

last update 10/6/2016

DETAILS

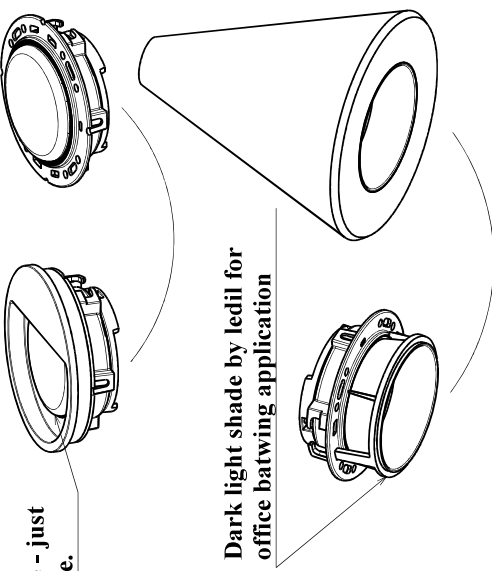
Product Number	FCN15316_RONDA-WWW
Family	Ronda
Type	Assembly
Color	white
Diameter	69,9 mm
Height	19,8 mm
Style	round
Optic Material	PMMA
Holder Material	PC
Fastening	socket
Status	sample approved
ROHS Compliant	Yes
Date Updated	10/06/2016



OPTICAL PROPERTIES

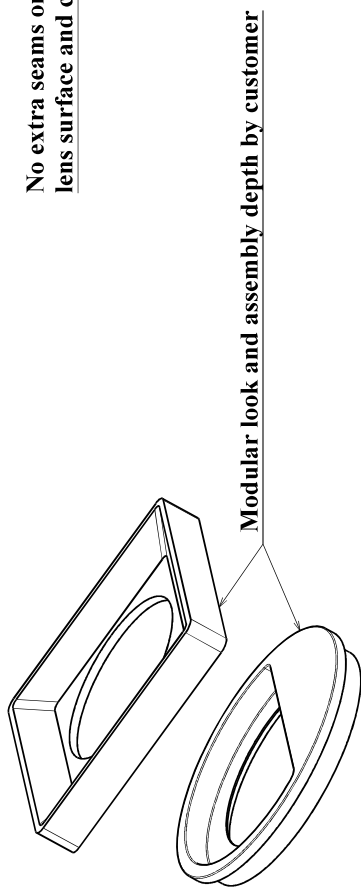
LED	Viewing	Light	Effi-	cd/lm	Connector
	Angle	Beam	ciency		
VERO13	sim: 78	WWW-class	sim: 81 %	sim: 0.000	LEDiL: LEDiL
CXA/B 13xx	sim: 90	WWW-class	sim: 87 %	sim: 0.000	Bender Wirth: 448 Typ L1
CLL02x/CLU02x (LES10)	sim: 90	WWW-class	sim: 86 %	sim: 0.000	Bender Wirth: 434 Typ L1
CLU710	sim: 88	WWW-class	sim: 87 %	sim: 0.000	Bender Wirth: 470 Typ L1
CLU700	sim: 90	WWW-class	sim: 87 %	sim: 0.000	Bender Wirth: 434 Typ L1
Mini Zenigata (GW6BM)	sim: 88	WWW-class	sim: 86 %	sim: 0.000	Bender Wirth: 452 Typ L1
LUXEON CoB 1202s	sim: 90	WWW-class	sim: 87 %	sim: 0.000	Bender Wirth: 452 Typ L1
CXA/B 15xx	sim: 90	WWW-class	sim: 87 %	sim: 0.000	Bender Wirth: 441 Typ L1
CXA/B 1816 & CXA/B 1820 & CXA 1850	sim: 90	WWW-class	sim: 87 %	sim: 0.000	Bender Wirth: 437 Typ L1
Duris S10	sim: 99	WWW-class	sim: 86 %	sim: 0.000	LEDiL: LEDiL

H G F E D C B A



No extra seams on visible side - just lens surface and customer face.

Dark light shade by ledil for office batwing application



Modular look and assembly depth by customer

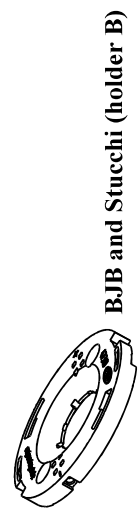


Optic

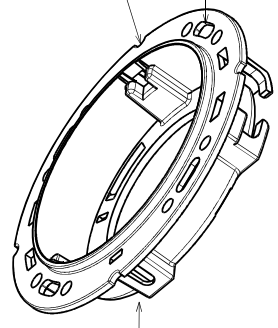
2 holder versions for most common connectors



Ledil-clamp / TE / Bender-wirth / other twist and lock socket types (holder A)



BJB and Stucchi (holder B)



Rotation fix

Vertical fix: M3 Screw / Twist and lock / Snap

Horizontal fix: M3 Nut + bolt

Multiple options to adapt customer face on holder without seams



LES size up to ~14mm, see compatibility www.ledil.com

Tolerances if not otherwise shown
According to DIN ISO 2768-1
for class M, otherwise class C
According to DIN ISO 2768-2
Form and position: class L

LEDIL

Ledil Oy
Salorankatu 10
FIN 24240 SALO
Finland



THIRD ANGLE PROJECTION:

This drawing is the property of LEDIL Oy. It may not be reproduced, copied or communicated without a written agreement with LEDIL Oy.

DRAWING TITLE

RONDA-family

SIZE PART NUMBER

A3

SCALE 1:1 WEIGHT -

SHEET 1/3

H

G

B

A

4

3

2

1

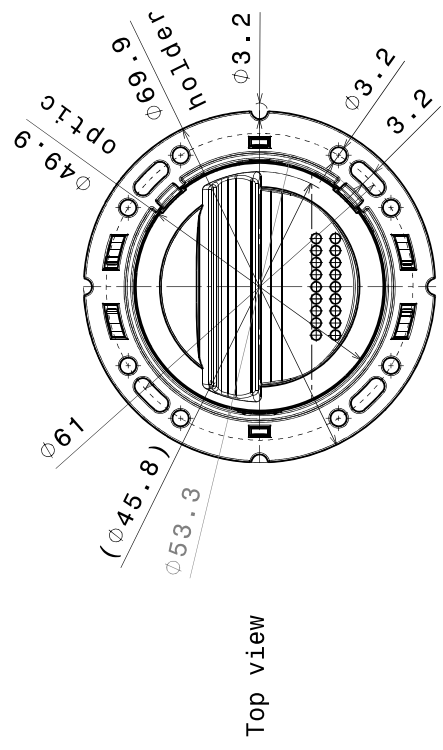
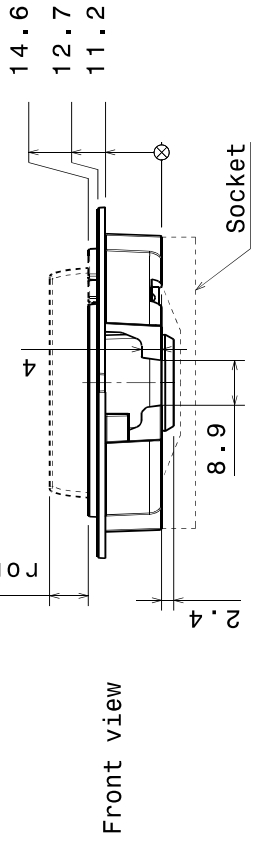
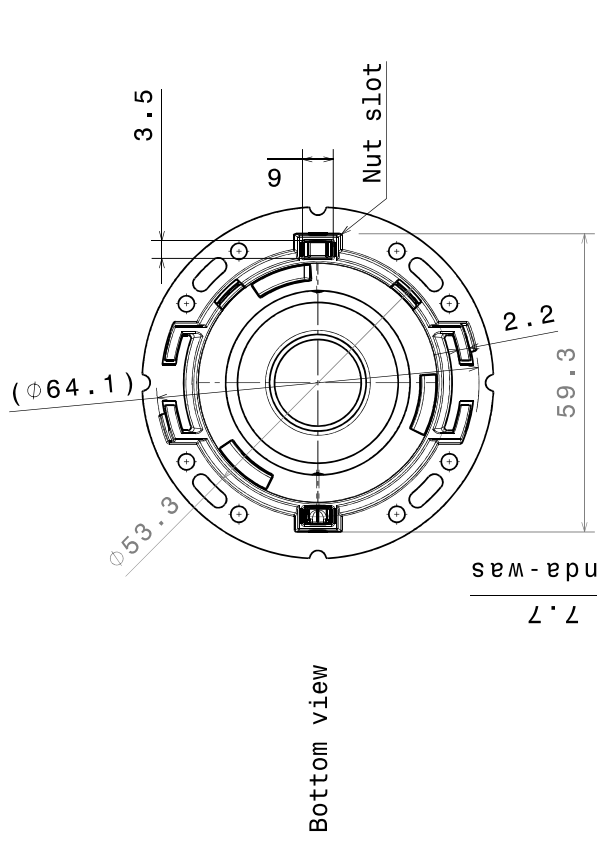
4

3

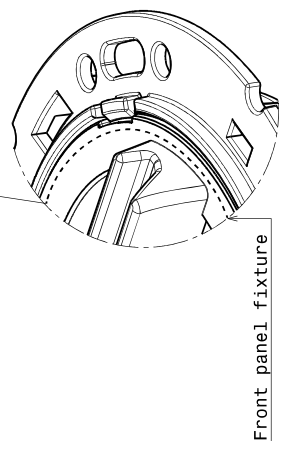
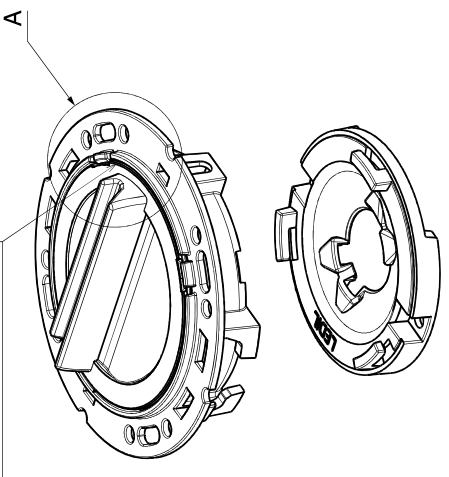
2

1

H G F E D C B A



Recommended to bring customer front panel over seam for most solid final product outlook.



Tolerances if not otherwise shown According to DIN ISO 2768-1 up to 30mm class M, otherwise class C According to DIN ISO 2768-2 Form and position: class L	LEDIL Ledil Oy Salorankatu 10 FIN-24240 SALO Finland	DRAWING TITLE RONDA-family	
	THIRD ANGLE PROJECTION: 	SIZE A3	PART NUMBER -
This drawing is the property of LEDIL Oy. It may not be reproduced, copied or communicated without a written agreement with LEDIL Oy.		WEIGHT -	SHEET 2/3

H G F E D C B A

NOTE: The typical divergence will be changed by different color, chip size and chip position tolerance. The typical total divergence is the full angle measured where the luminous intensity is half of the peak value.

GENERAL INFORMATION

- Product series especially designed & optimized for series of LEDs.
- Special care taken to make light distribution as uniform as possible.

Note! Due to use of high power COB's with this product, special attention to proper thermal design is highly recommended. LEDiL has no liability for direct, indirect or consecutive damages arising from the LEDiL products being used outside of the recommended temperature range.