

Data sheet

PR044xxVBBN Type 191

Page 1/6

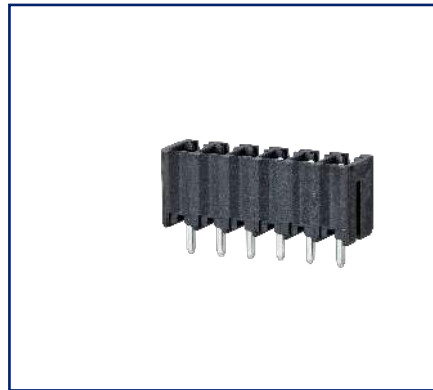
P/N
311911xx

xx=number of poles

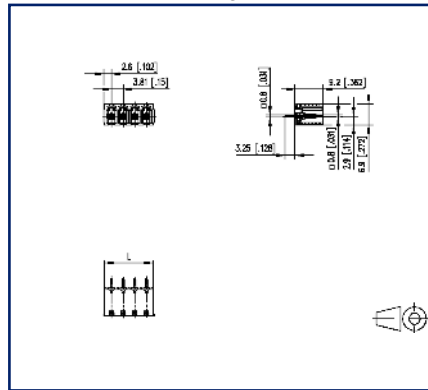
2023/06/26

Version: X

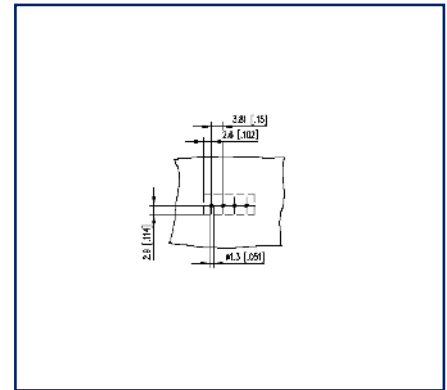
Illustrations



Dimensional drawing



Drill pattern





See enlarged drawings at the end of document

Product specification

- pin header, THR solderable
- centerline 3.81 mm, direction of connection vertical 0°
- closed ends
- color black
- Tape & Reel packaging possible
- codeable

Technical Data

| General Data | | | |
|---|--------------------------------------|-------|-------|
| Solder pin length | 3.25 mm | | |
| min. number of poles | 2 | | |
| max. number of poles | 12 | | |
| Insulating material class | CTI 600 | | |
| clearance/creepage dist. | 3.01 mm | | |
| Protection category | IP00 | | |
| Rated current | 10 A | | |
| Overvoltage category | III | III | II |
| Pollution degree | 3 | 2 | 2 |
| Rated voltage | 200 V | 500 V | 500 V |
| Rated test voltage | 4 kV | 4 kV | 4 kV |
| Approvals | | | |
|  V / A | 300 / 8 | | |
| approval UL - File No. | E121004 | | |
|  1.5 mm ² | 130 V / 2.5 kV / 10 A / 0.8 x 0.8 mm | | |
| Material | | | |
| insulating material | PA66/6T | | |
| flammability class | V0 | | |
| contact pin material | CuMg | | |
| contact pin surface | Ni + Sn | | |
| Glow-Wire Flammability GWFI | 960 °C acc. to IEC 60695-2-12 | | |
| Glow-Wire Flammability GWIT | 775 °C acc. to IEC 60695-2-13 | | |
| Climatic Data | | | |
| upper limit temperature | 105 °C | | |
| lower limit temperature | -40 °C | | |
| general | | | |
| Tolerance | ISO 2768 -mH | | |
| Solderability | reflowable | | |

U | Contact

Data sheet
PR044xxVBBN Type 191

Page 3/6

P/N
311911xx

xx=number of poles

2023/06/26

Version: X

Accessories

| P/N | Designation |
|-------------|--|
| 720293-01-2 | Coding Star for pin header, centerline 3.81 mm |

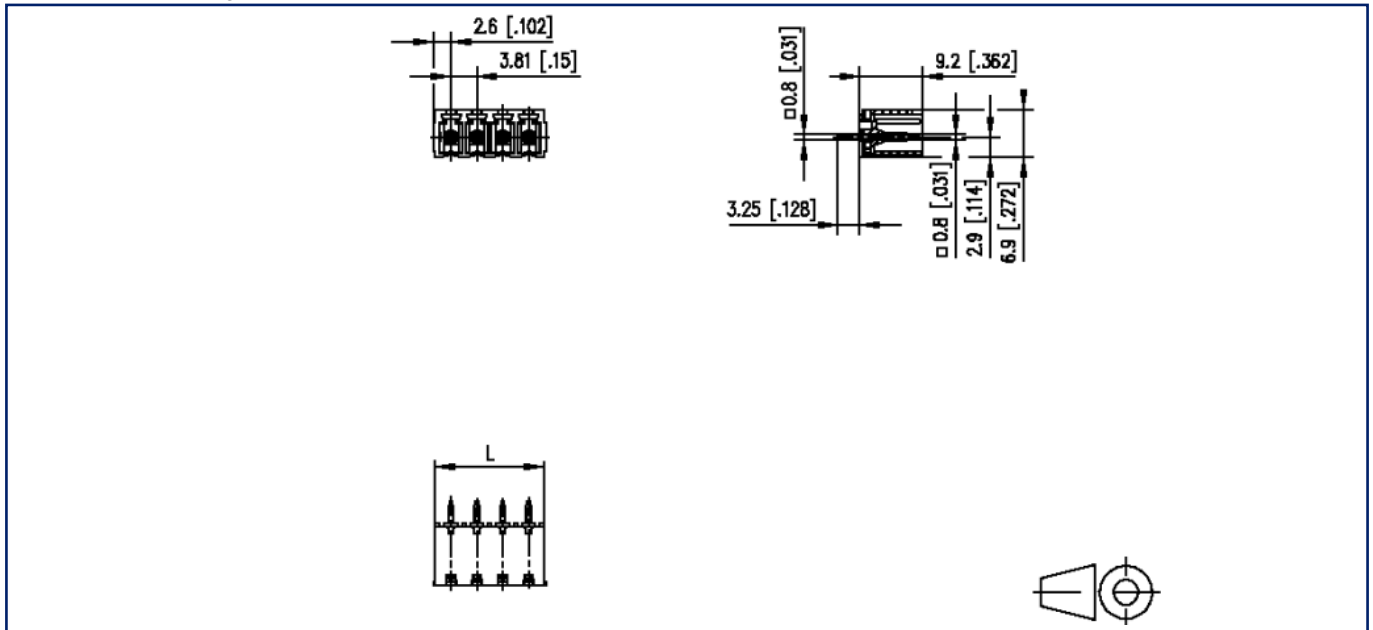


Counterpart of

| P/N | Designation |
|--------|----------------------|
| 311131 | RP034xxHBLO Type 113 |
| 311141 | RP034xxHBLN Type 114 |
| 313691 | RP034xxVBLN Type 369 |
| ASP044 | SP044xxVBNN ASP044 |
| ASP064 | SP064xxVGNN ASP064 |

Illustrations

Dimensional drawing



$L = (\text{pole size} - 1) \times \text{centerline} + 5.2 \text{ mm} [0.205]$

© 2023 METZ CONNECT - Technische Änderungen vorbehalten! Subject to modifications! Sous réserve de modifications techniques!

Illustrations

Drill pattern

