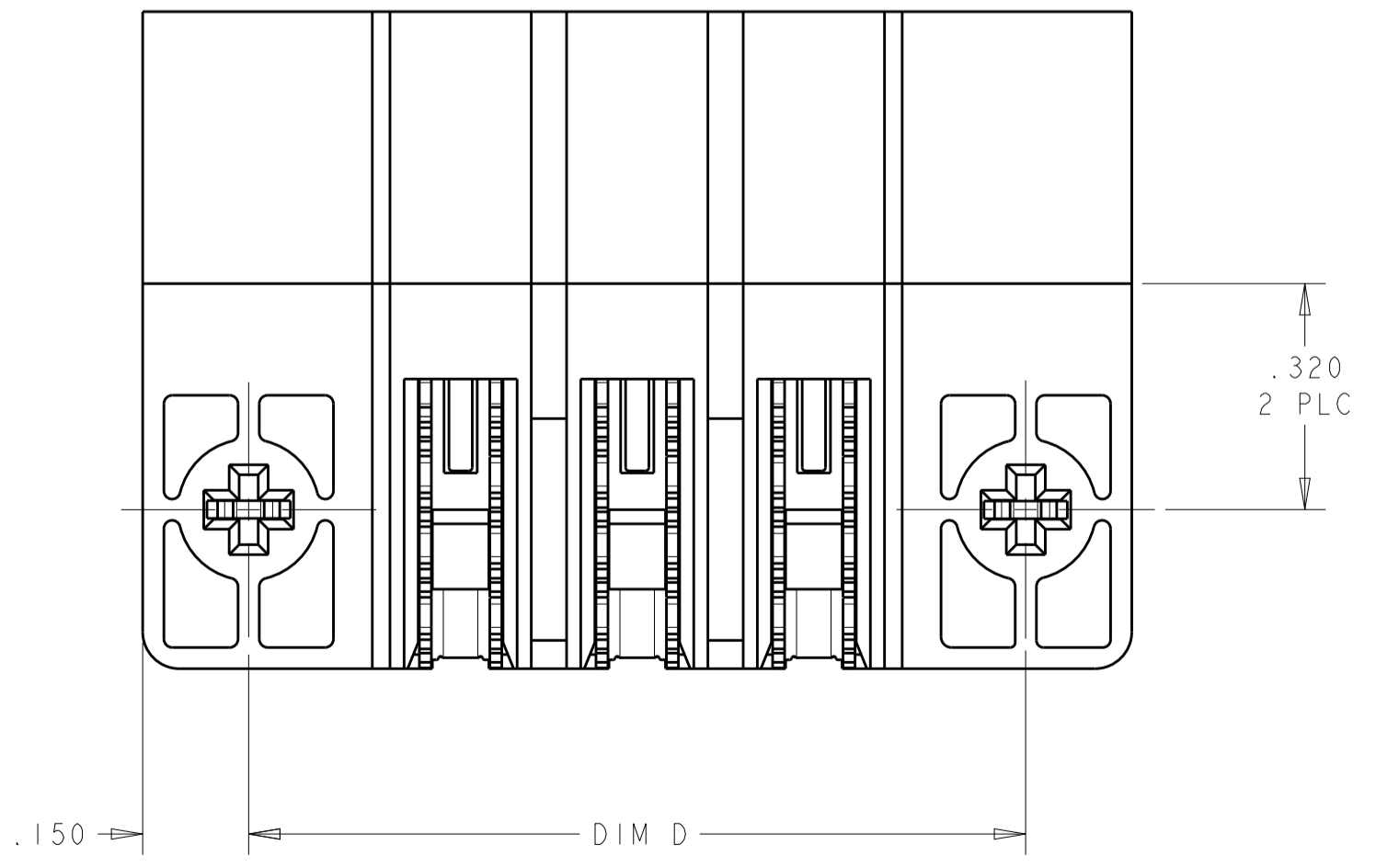
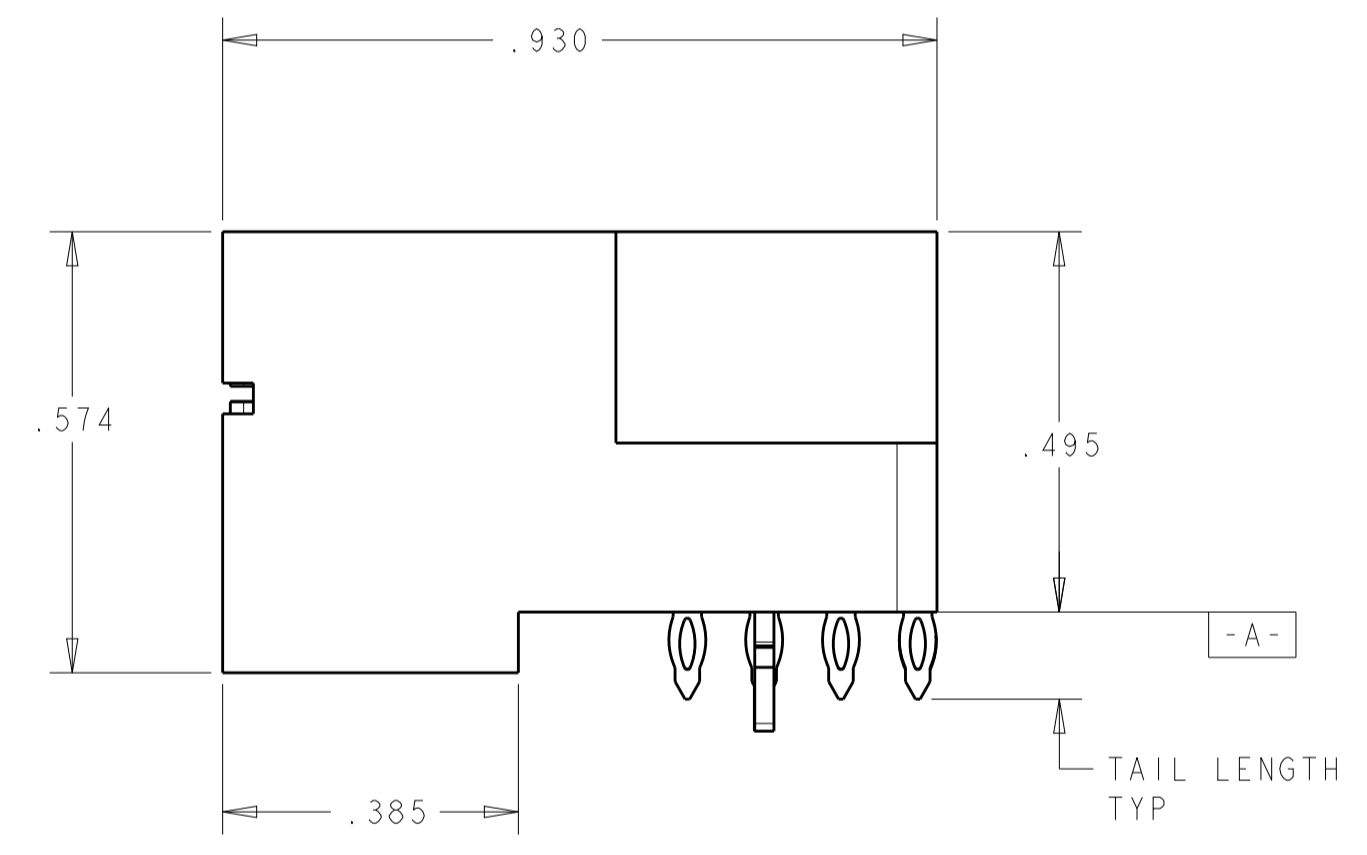
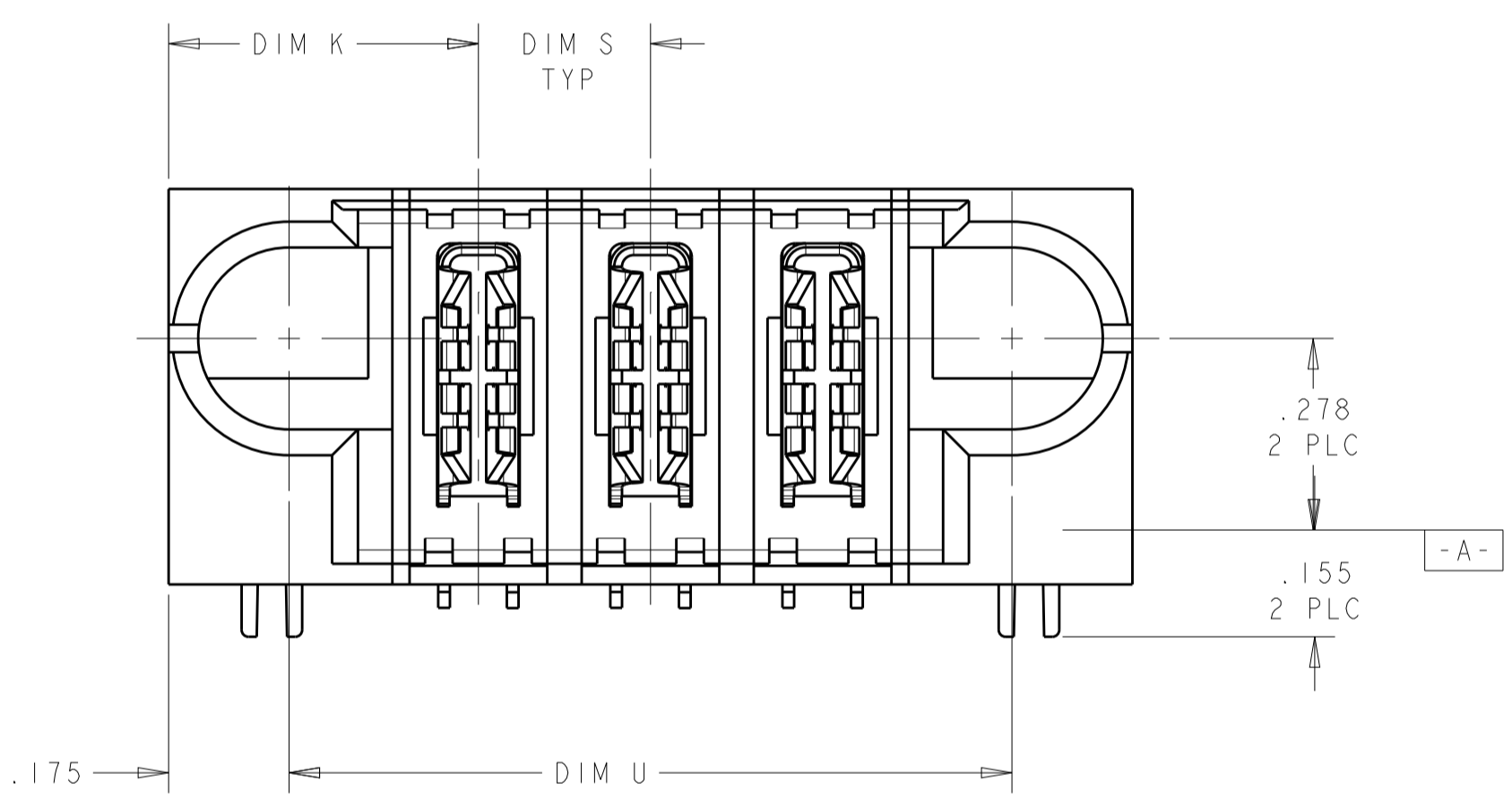
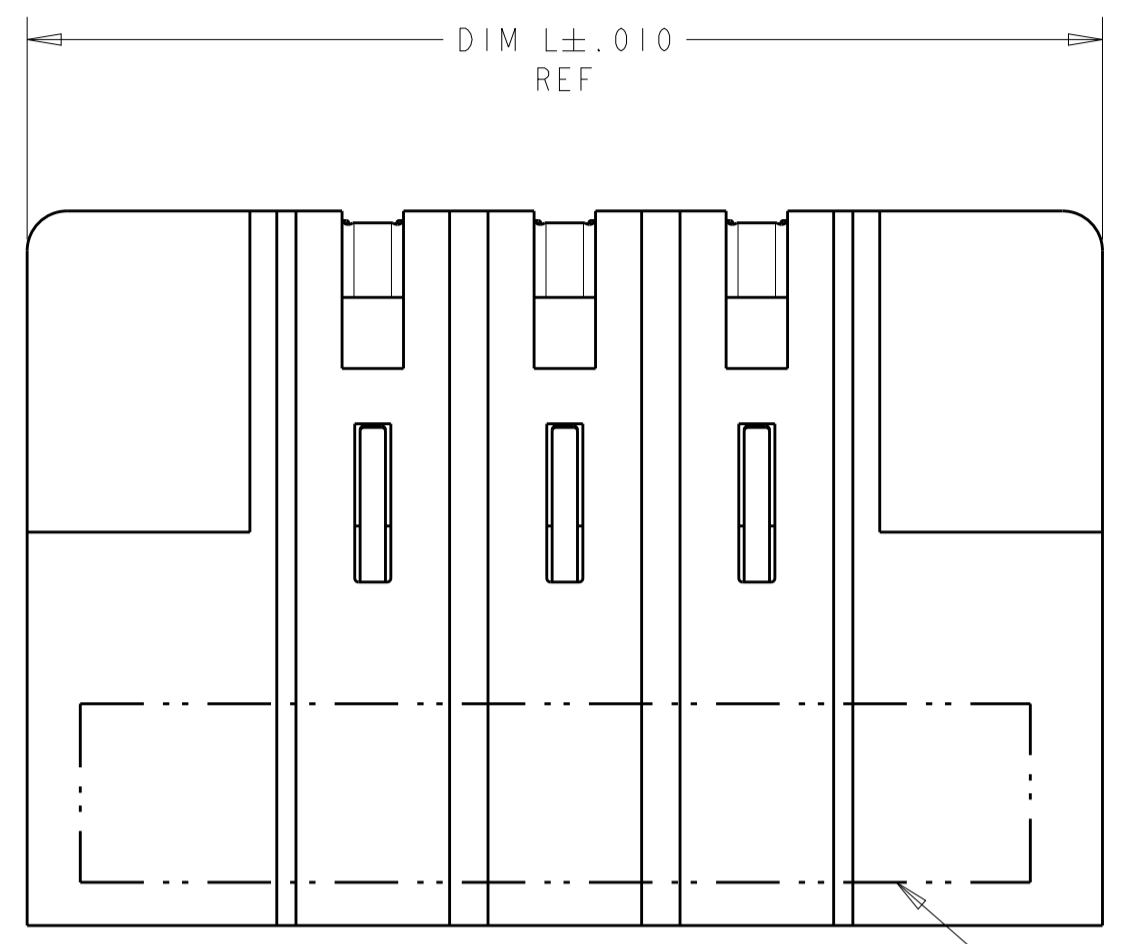


LOC		DIST		REVISIONS			
ES	00	P	LTN	DESCRIPTION	DATE	DWN	APVD
		E1		ADDED THE DASH NUMBER -12	09AUG2012	ML	SZ



- 1 "AMP", PART NUMBER, AND DATE CODE TO BE MARKED IN AREA SHOWN. PARTS UNDER 2.00 LONG MAY BE MARKED ON BOTH SIDES.
- 2 MATERIAL: HOUSING - GLASS FILLED HIGH TEMP THERMO PLASTIC, UL94 V-0
POWER CONTACT - HIGH CONDUCTIVITY COPPER ALLOY
- 3 CONTACT PLATING: NOBLE METAL PLATING ON CONTACT FUNCTIONAL AREA OF POWER AND SIGNAL CONTACTS
- 4 MECHANICAL CONNECTOR KEEP OUT ZONE.
- 5 DATUM AND BASIC DIMENSIONS ESTABLISHED BY CUSTOMER.
- 6 PCB - ALL HOLE DIAMETERS ARE FINISHED HOLE SIZES.
- 7 PCB - .0453 +/- .0010 DRILLED HOLES PLATES WITH .0003 MIN Sn OVER .001 TO .003 PLATING TO ACHIEVE A .040 DIA. HOLE.
- 8 VARIABLE DIMENSION SHOW ON VIEW (SHEET 2).
- 9 PROPOSAL PART ONLY.

.300	1.200	1.250	.475	1.550	3ACP	1-6450523-2
.250	1.550	1.600	.450	1.900	5P	1-6450523-1
.300	1.550	1.600	.500	1.900	4ACP	1-6450523-0
.250	1.800	1.850	.450	2.150	6P	6450523-8
.250	-	-	.450	2.820	12HDP	6450523-7
.250	2.300	2.350	.450	2.650	8P	6450523-6
.250	-	-	.450	2.620	11P	6450523-5
.250	1.700	1.750	.425	2.050	6P	6450523-2
.250	1.050	1.100	.450	1.400	3P	6450523-1
DIM S	DIM U	DIM D	DIM K	DIM L	DESCRIPTION	PART NUMBER

THIS DRAWING IS A CONTROLLED DOCUMENT. DWN: R. GRZYBOWSKI 16MAY05
 CHK: M. PERCHERKE 16MAY05

TE Connectivity

RIGHT ANGLE HEADER ASSEMBLY
 PRESS FIT, W/GUIDES
 MULTI-BEAM XL

108-1973
 APPLICATION SPEC

114-13038
 WEIGHT

Customer Drawing

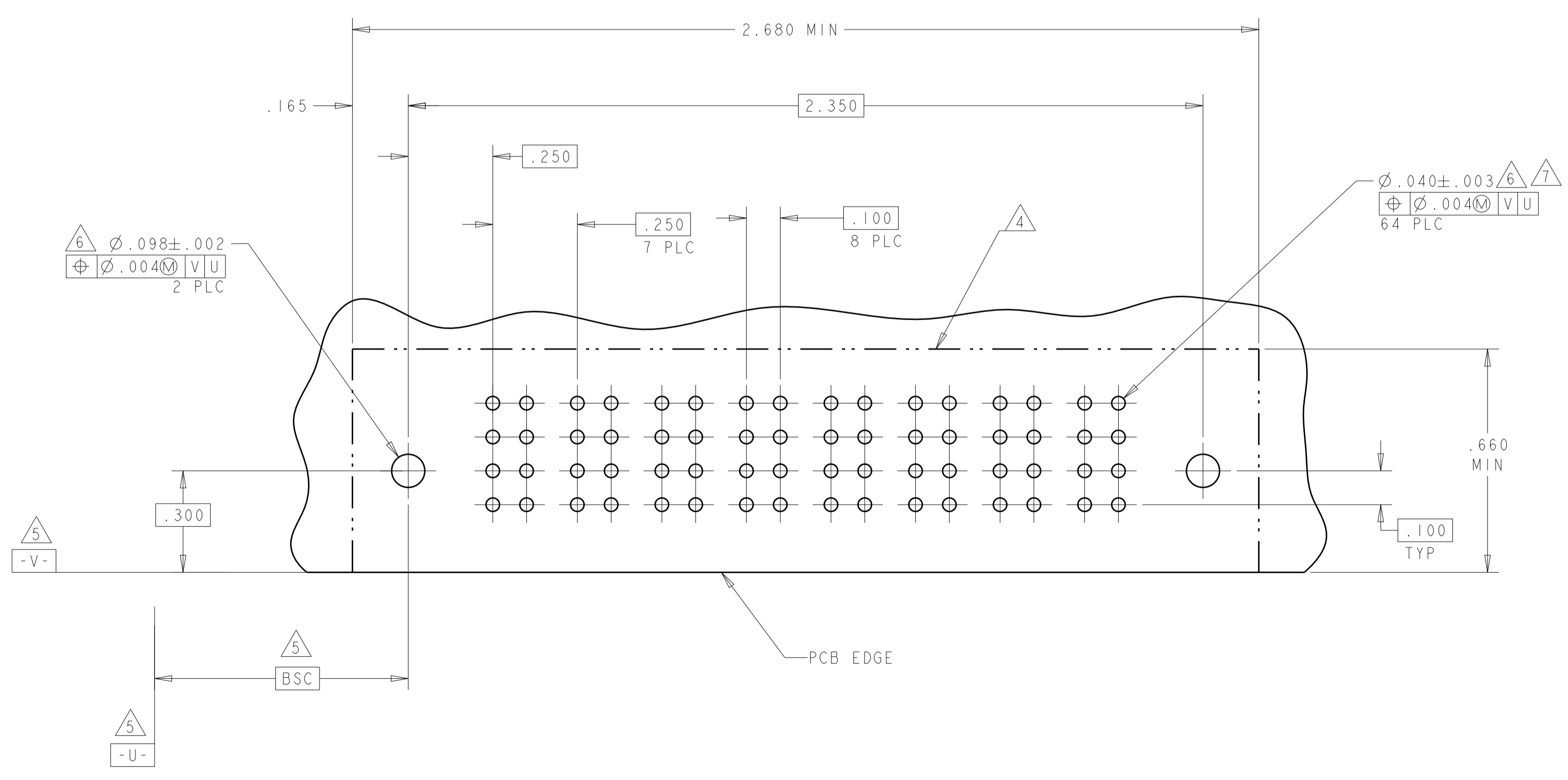
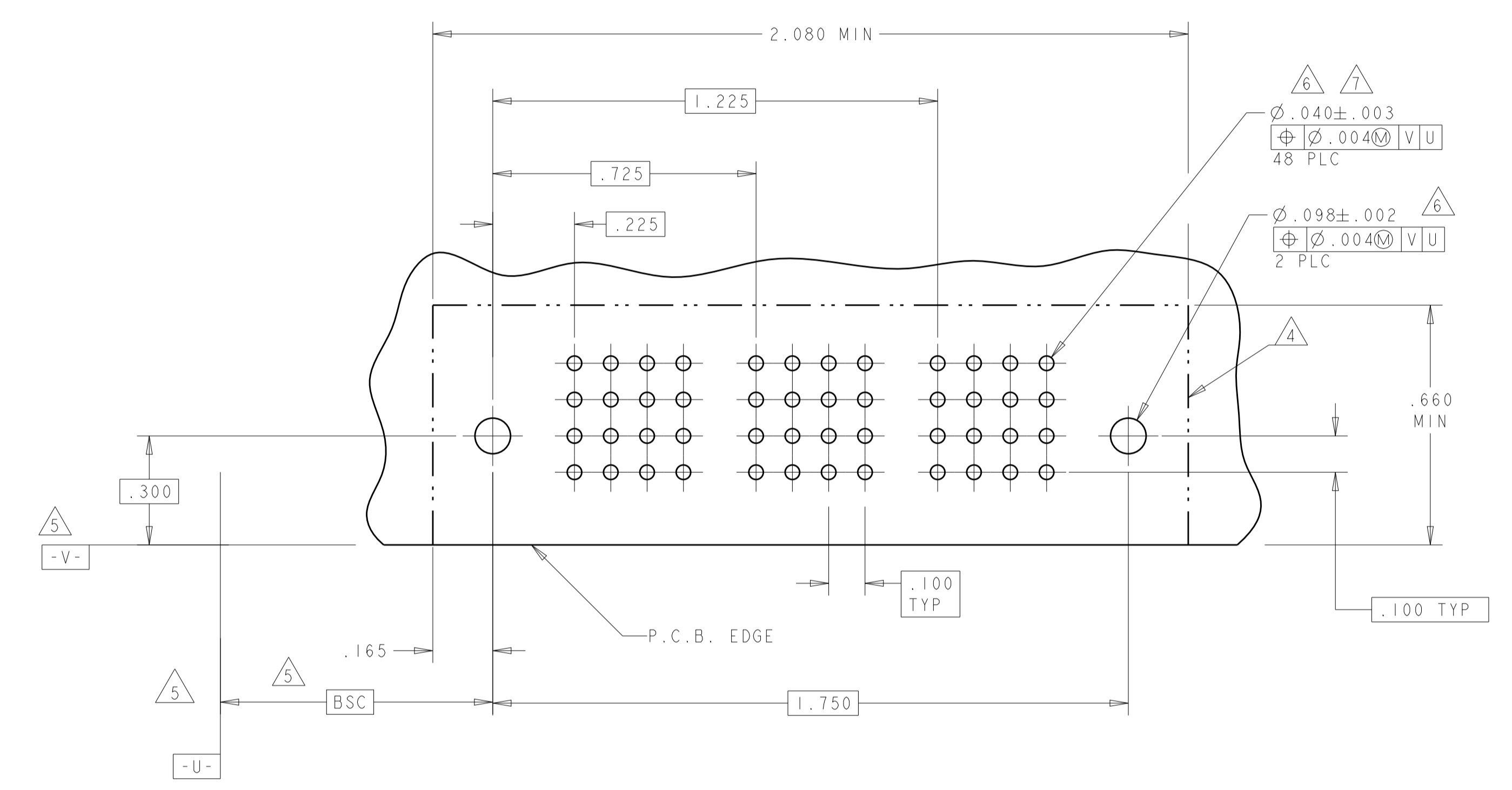
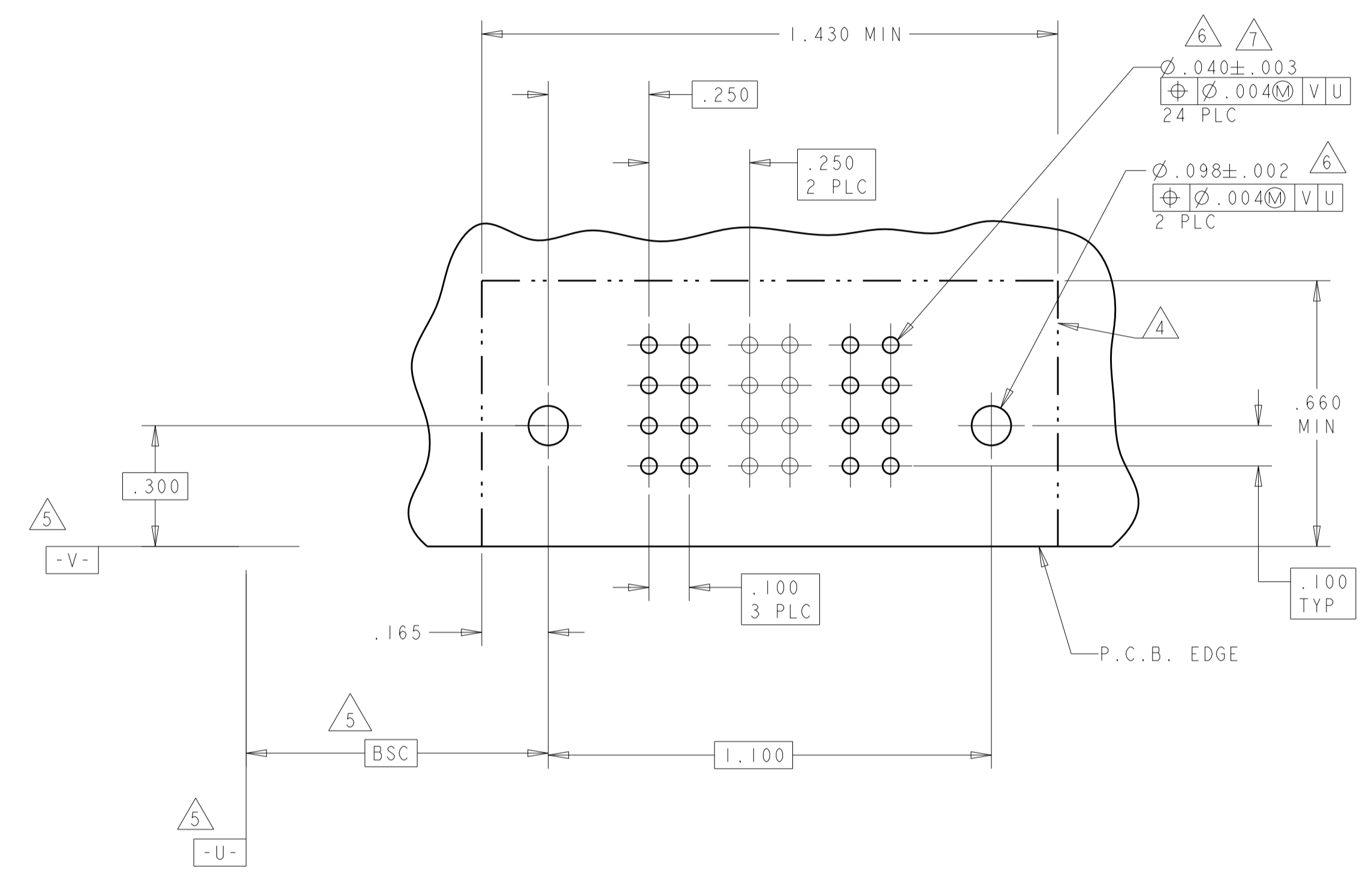
SCALE 3:1 SHEET 1 OF 4 REV E1

LOC	DIST	REV	DATE	BY	APPV
ES	00				

REVISIONS		DATE	BY	APPV
1	SEE SHEET 1			

PART NUMBER	POWER		
	P1	P2	P3
6450523-1	PT	PT	PT
3P	HD		HD

PART NUMBER	POWER					
	P1	P2	P3	P4	P5	P6
6450523-2	PT	PT	PT	PT	PT	PT
6P	HD					HD



PART NUMBER	POWER							
	P1	P2	P3	P4	P5	P6	P7	P8
6450523-6	PT	PT	PT	PT	PT	PT	PT	PT
8P	HD							HD

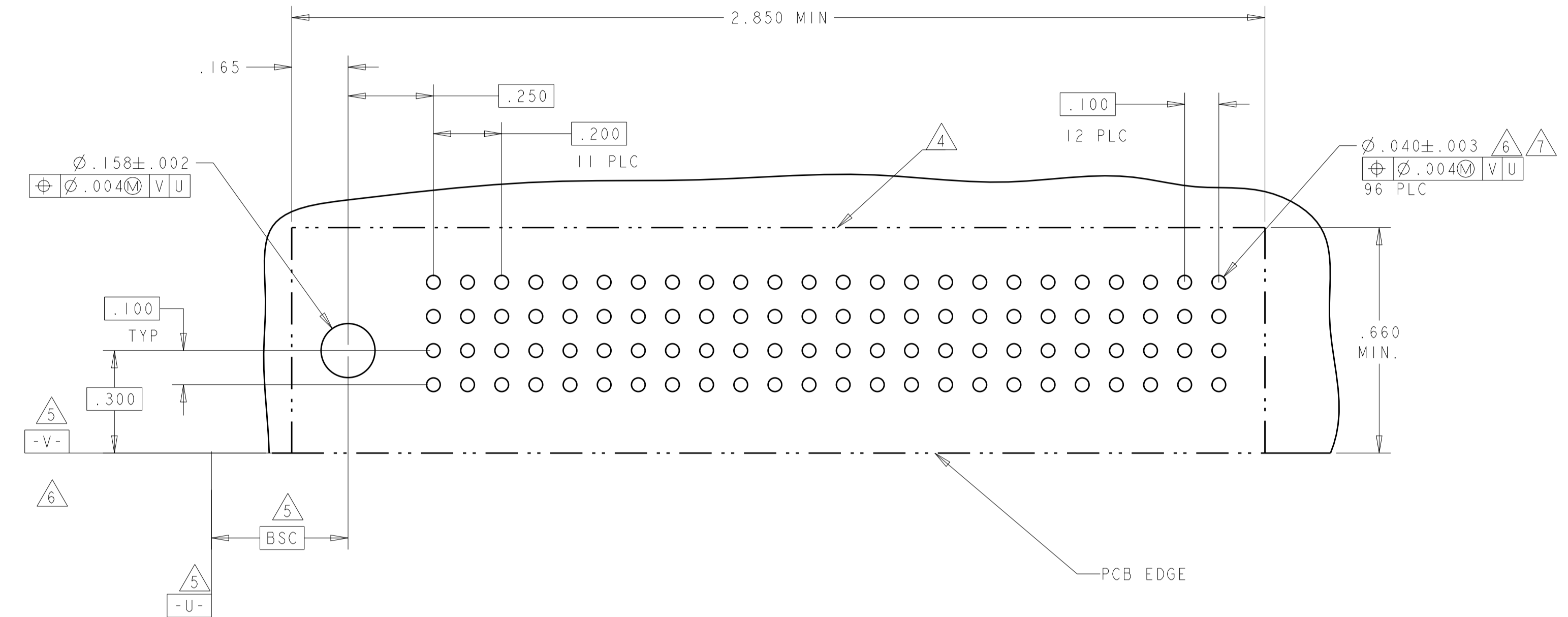
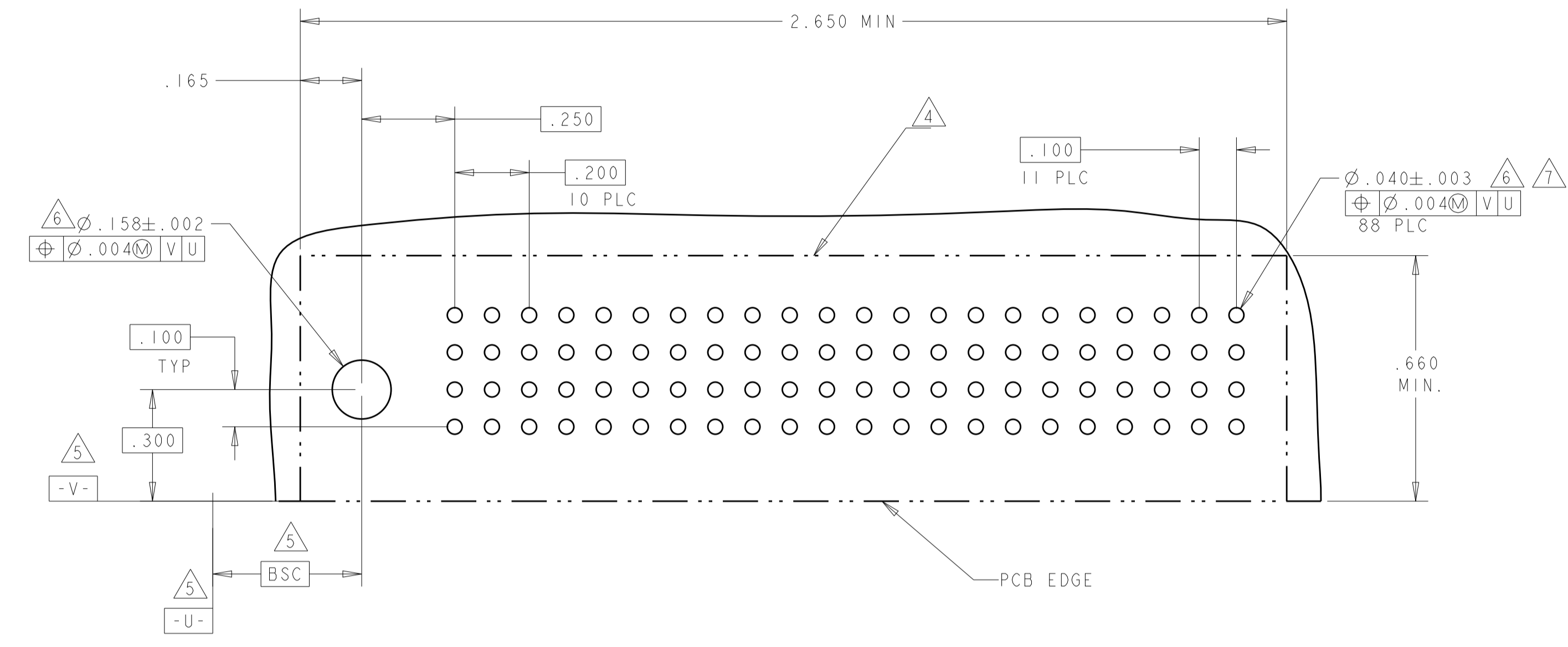
POWER CONTACT, STD .120 TAIL LENGTH	PT
DESCRIPTION	CODE

THIS DRAWING IS A CONTROLLED DOCUMENT.		OWN: R. GRZYBOWSKI 16MAY05	TE Connectivity
DIMENSIONS: INCHES		CHK: M. PERCHERKE 16MAY05	
TOLERANCES UNLESS OTHERWISE SPECIFIED:		APVD: M. PERCHERKE	NAME: RIGHT ANGLE HEADER ASSEMBLY PRODUCT SPEC: 108-1973 APPLICATION SPEC: 114-13038 SIZE: A100779 CAGE CODE: 6450523 DRAWING NO: 2 OF 4 RESTRICTED TO: E
0 PLC ±.01		PRODUCT SPEC: 108-1973	
1 PLC ±.005		APPLICATION SPEC: 114-13038	
2 PLC ±.0020		WEIGHT: -	
MATERIAL: -		FINISH: -	SCALE: 3:1
Customer Drawing		Customer Drawing	REV: 1

LOC		DIST		REVISIONS			
ES	00	P	LTN	DESCRIPTION	DATE	DMN	APVD
		-		SEE SHEET 1			

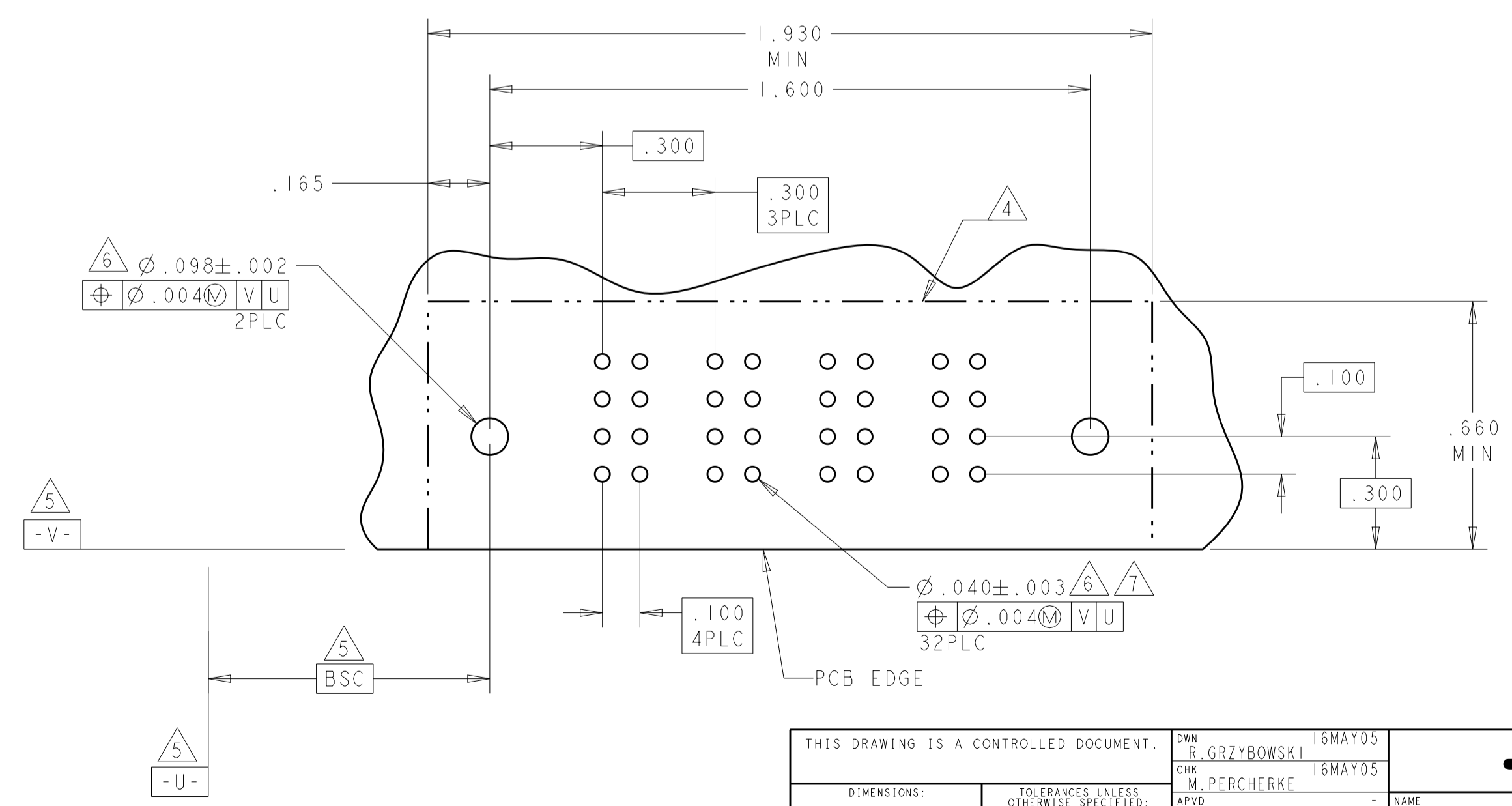
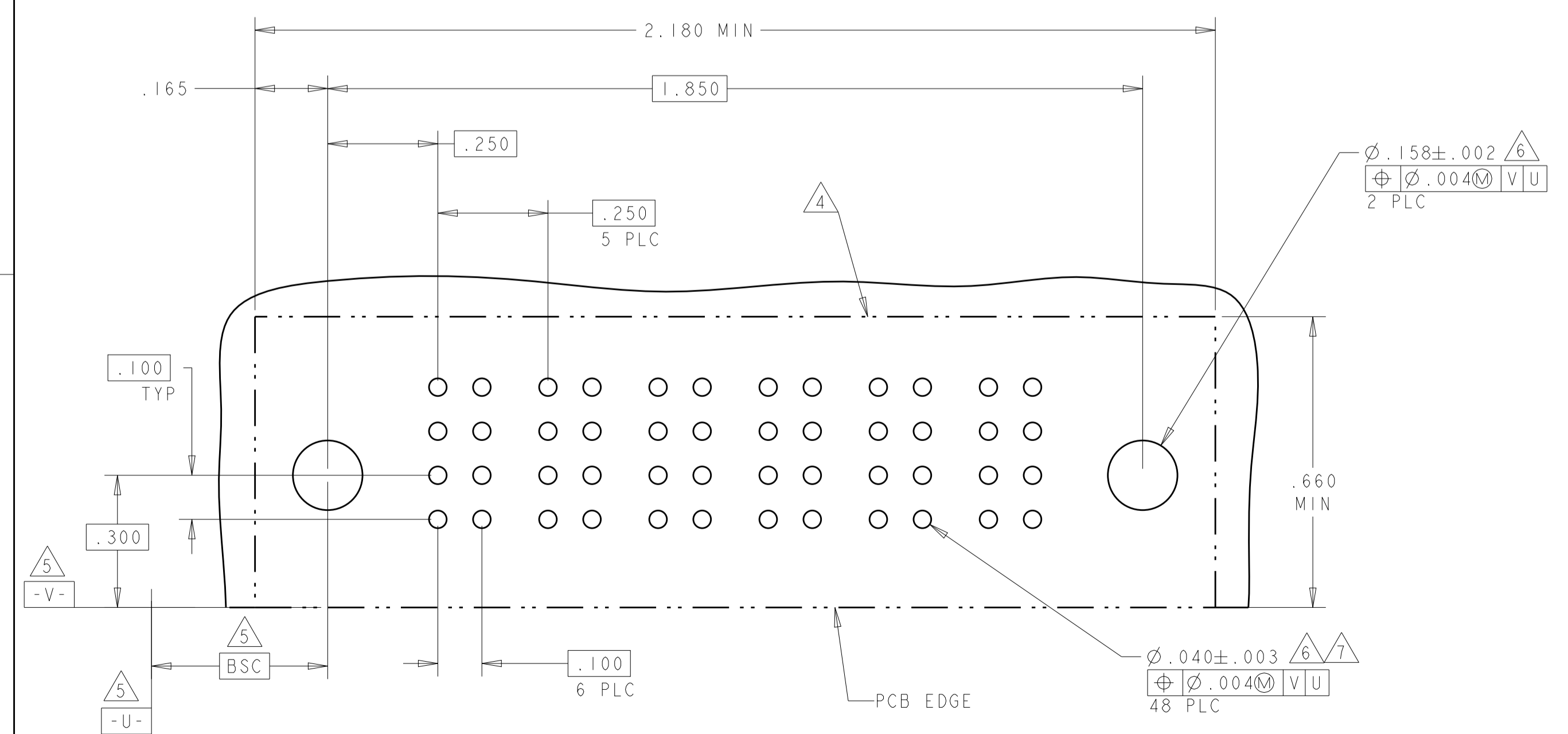
PART NUMBER	POWER										
	P1	P2	P3	P4	P5	P6	P7	P8	P9	P10	P11
6450523-5	PT	PT	PT	PT	PT	PT	PT	PT	PT	PT	PT
11HDP											

PART NUMBER	POWER											
	P1	P2	P3	P4	P5	P6	P7	P8	P9	P10	P11	P12
6450523-7	PT	PT	PT	PT	PT	PT	PT	PT	PT	PT	PT	PT
12HDP												



PART NUMBER	POWER					
	P1	P2	P3	P4	P5	P6
6450523-8	PT	PT	PT	PT	PT	PT
6P						

PART NUMBER	ROWS	POWER			
		P1	P2	P3	P4
1-6450523-0	D C B A	PT	PT	PT	PT
4ACP	HD				HD



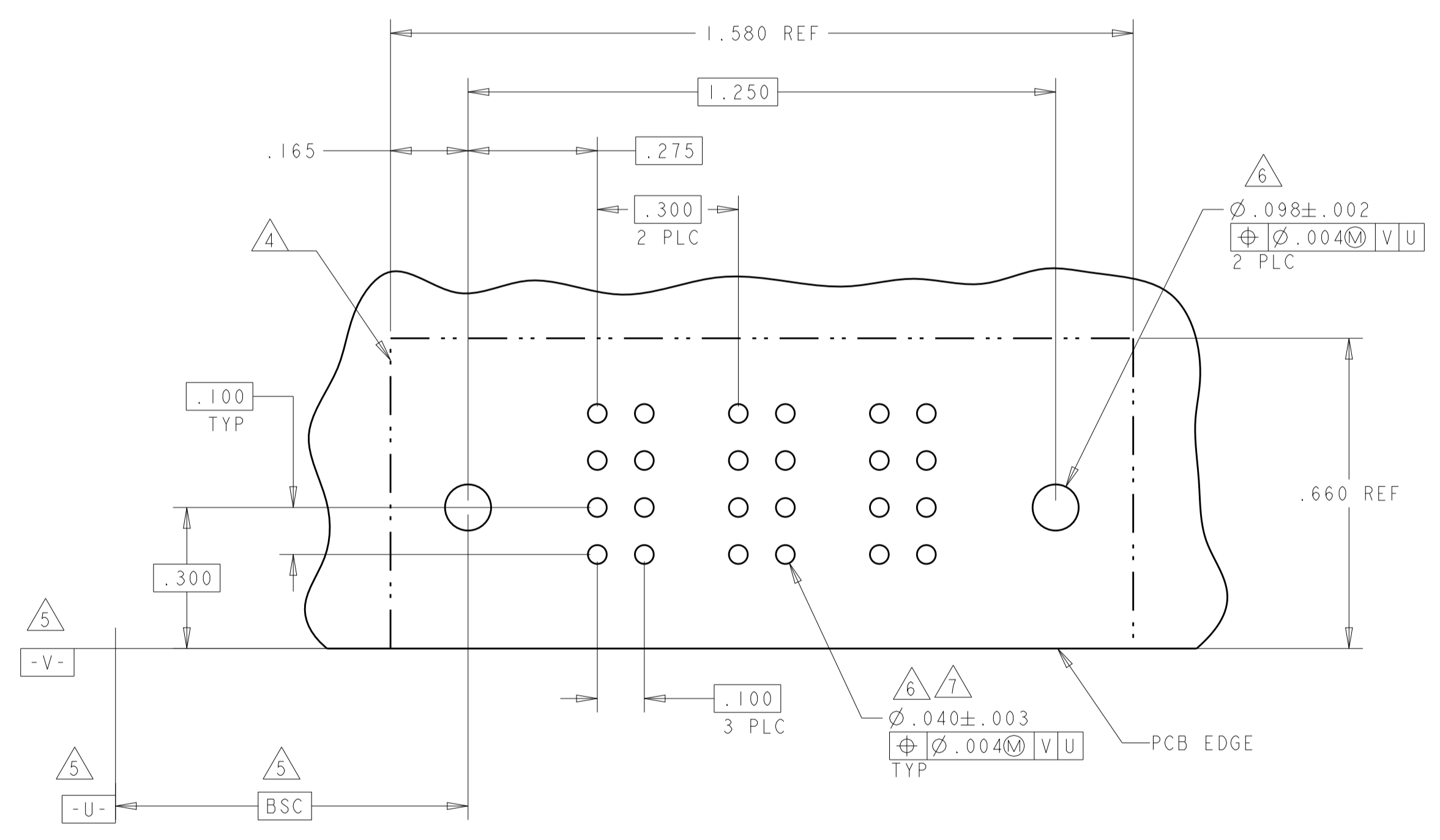
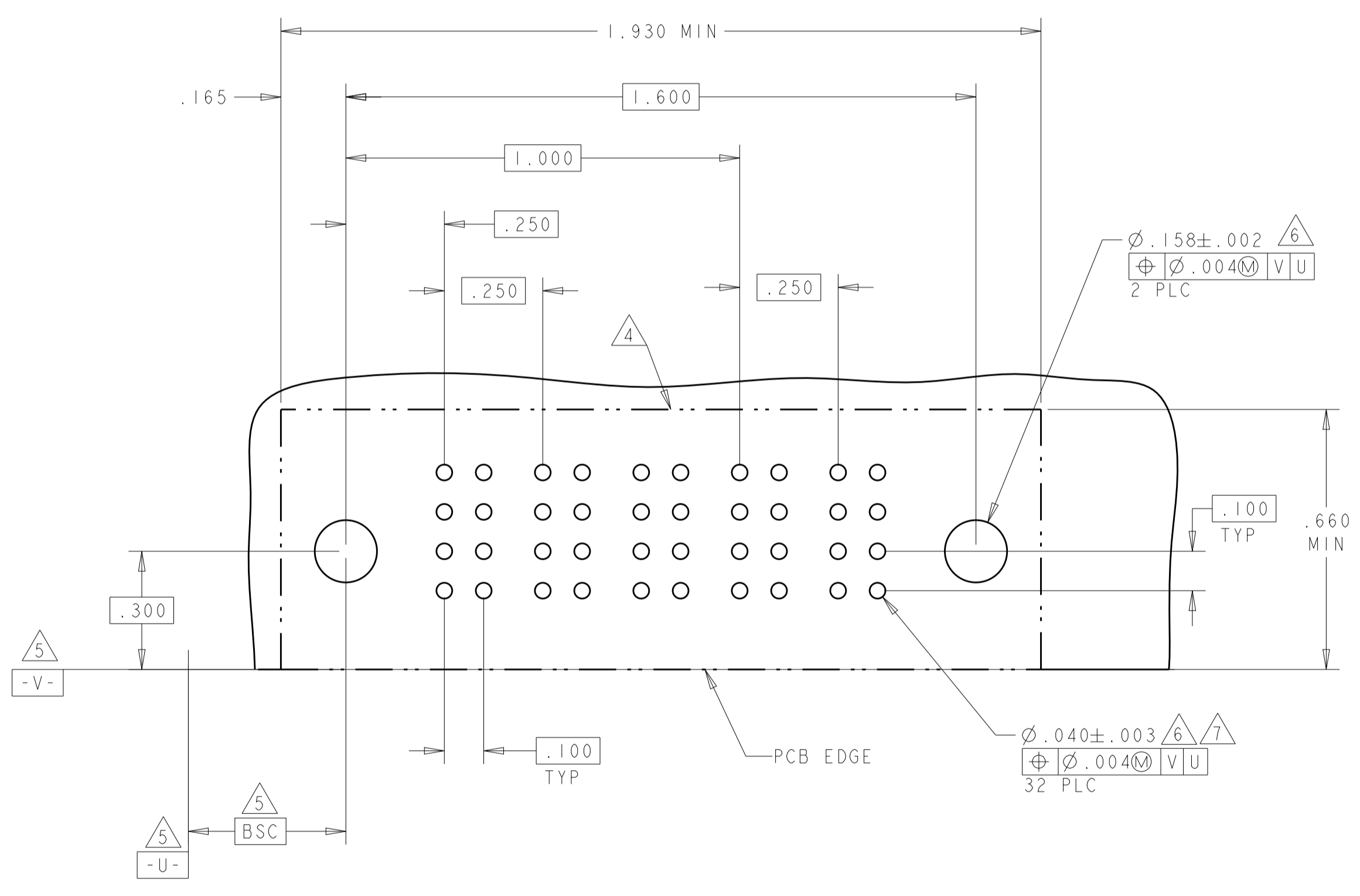
THIS DRAWING IS A CONTROLLED DOCUMENT.		DMN: R. GRZYBOWSKI 16MAY05	TE Connectivity
DIMENSIONS: INCHES		CHK: M. PERCHERKE 16MAY05	
TOLERANCES UNLESS OTHERWISE SPECIFIED:		APVD: M. PERCHERKE	NAME: RIGHT ANGLE HEADER ASSEMBLY
0 PLC ±.01		PRODUCT SPEC: 108-1973	PRESS FIT, W/GUIDES
1 PLC ±.01		APPLICATION SPEC: 114-13038	MULTI-BEAM XL
2 PLC ±.01		SIZE: 114-13038	RESTRICTED TO: A100779
3 PLC ±.01		WEIGHT: -	SCALE: 3:1
4 PLC ±.01		CAGE CODE: -	SHEET: 3 OF 4
5 PLC ±.01		Customer Drawing	REV: E1
ANGLES ±.0020			
FINISH: -			

LOC	DIST	REV	DATE	BY	APPD
ES	00				
REVISIONS			DATE	BY	APPD
DESCRIPTION					
SEE SHEET 1					

PART NUMBER	ROWS	POWER				
		P1	P2	P3	P4	P5
I-6450523-1	D					
	C	PT	PT		PT	PT
	B					
	A					
5P						

NO LOADED

PART NUMBER	POWER		
	P1	P2	P3
I-6450523-2	PT	PT	PT
3ACP			



THIS DRAWING IS A CONTROLLED DOCUMENT.		DWN R. GRZYBOWSKI 16MAY05 CHK M. PERCHERKE 16MAY05 APVD M. PERCHERKE PRODUCT SPEC 108-1973 APPLICATION SPEC 114-13038 WEIGHT Customer Drawing	NAME RIGHT ANGLE HEADER ASSEMBLY PRESS FIT, W/GUIDES MULTI-BEAM XL SIZE CAGE CODE DRAWING NO A100779C=6450523 RESTRICTED TO
DIMENSIONS: INCHES 	TOLERANCES UNLESS OTHERWISE SPECIFIED: 0 PLC ± 1 PLC ±.01 2 PLC ±.005 3 PLC ±.0020 ANGLES ±.2°	SCALE 3:1 SHEET 4 OF 4 REV E1	