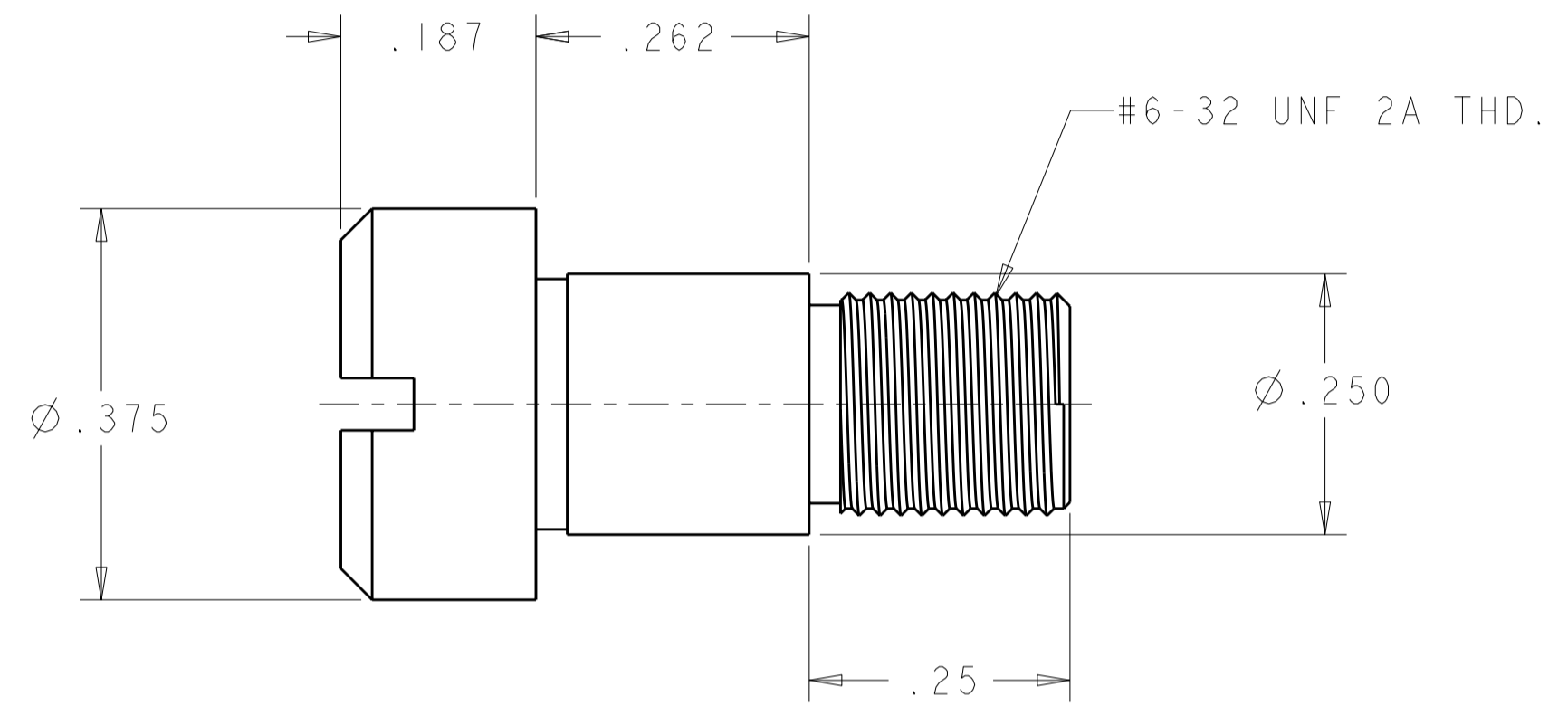
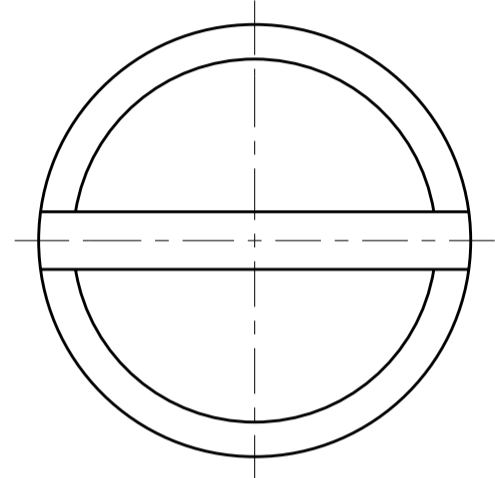


THIS DRAWING IS UNPUBLISHED. RELEASED FOR PUBLICATION 20  
 © COPYRIGHT 20 BY TYCO ELECTRONICS CORPORATION. ALL RIGHTS RESERVED.

| LOC | DIST | REVISIONS |     |             |           |     |      |
|-----|------|-----------|-----|-------------|-----------|-----|------|
| GP  | 00   | P         | LTR | DESCRIPTION | DATE      | DWN | APVD |
|     |      |           | A   | RELEASED    | 02SEP2008 | RG  | DO   |
|     |      |           |     |             |           |     |      |
|     |      |           |     |             |           |     |      |



- 1 MATERIAL: STAINLESS STEEL
- 2. PART NUMBER CHANGES AND/OR DESIGN CHANGES AFFECTING THE INTERCHANGEABILITY REQUIRE PRIOR TYCO ELECTRONICS APPROVAL AND AUTHORIZATION BY REVISION TO THIS DRAWING.
- 3 FINISH: PASSIVATE
- 4. ITEMS PROVIDED TO THIS SPECIFICATION TO BE PERMANENTLY IDENTIFIED ON THE CONTAINER PER THE FOLLOWING IDENTIFIER:

TYCO ELECTRONICS P/N: XXXXXXXX-X  
 DATE CODE (e.g. 0216): YEAR WEEK  
 XXXX

|             |           |
|-------------|-----------|
| AS SHOWN    | 1926939-1 |
| DESCRIPTION | PART NO.  |

|  |   |   |   |
|--|---|---|---|
| <small>THIS DRAWING IS A CONTROLLED DOCUMENT FOR TYCO ELECTRONICS CORPORATION. IT IS SUBJECT TO CHANGE AND THE CONTROLLING ENGINEERING ORGANIZATION SHOULD BE CONTACTED FOR THE LATEST REVISION.</small> |   | DWN: R. GRZYBOWSKI 20AUG2008<br>CHK: D. ORRIS 20AUG2008<br>APVD: M. PERCHERKE 20AUG2008 | Tyco Electronics<br>Harrisburg, PA 17105-3608   |
| DIMENSIONS: INCHES<br>   | TOLERANCES UNLESS OTHERWISE SPECIFIED:<br>0 PLC ±<br>1 PLC ±<br>2 PLC ±.02<br>3 PLC ±.010<br>4 PLC ±<br>ANGLES ±5<br>FINISH | PRODUCT SPEC: -<br>APPLICATION SPEC: -<br>WEIGHT: -                                     | NAME: SCREW, SHOULDER PRECISION No. 6-32 UNF, DRAWER<br>SIZE: A2<br>CAGE CODE: 00779<br>DRAWING NO: 1926939<br>RESTRICTED TO: - |
| MATERIAL: 1 -<br>FINISH: 3 -   | CUSTOMER DRAWING  |   | SCALE: 6:1<br>SHEET: 1 OF 1<br>REV: A   |

ELCON DRAWER