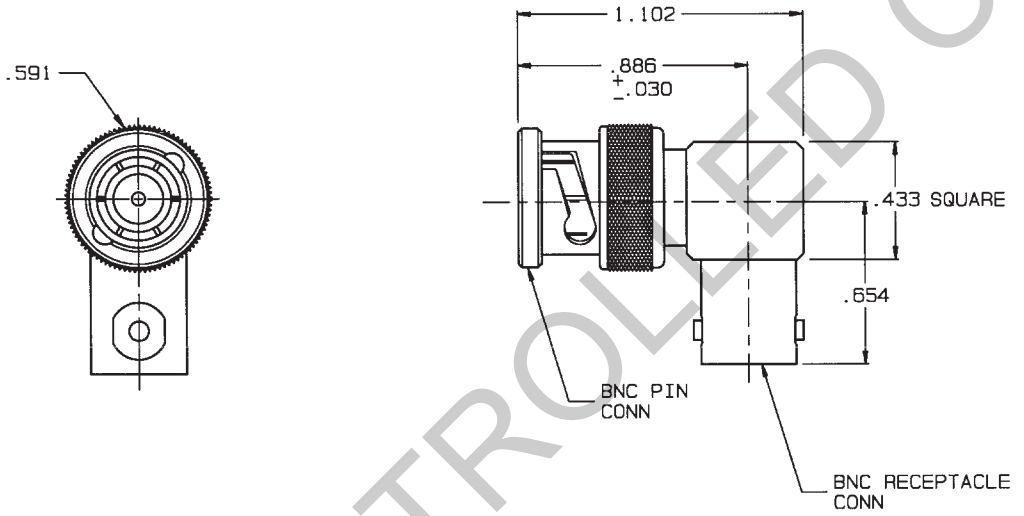


RED IS ORIGINAL

DISK # E18	DWG SIZE B	DATA CONTAINED IN THIS DOCUMENT IS PROPRIETARY TO TROMPETER ELECTRONICS INC. AND SHALL NOT BE DISCLOSED, COPIED OR USED FOR PROCUREMENT OR MANUFACTURE WITHOUT EXPRESS WRITTEN PERMISSION.	REVISIONS			105-1342	SH	
			REV	EO	DESCRIPTION	DWN	APPROVED	DATE
			A	10075	REDESIGN: BODY WAS SOLDERED	DKG	<i>Kg, DSA</i>	12/30/92



4. EXAMPLE OF COMPLETE MODEL NO:

75 OHM	UADRNMF20	BNC TYPE
ADAPTER		MALE & FEMALE
RIGHT ANGLE		NON-MILITARY
3. MINIATURE 75 OHM BNC TYPE PIN & RECEPTACLE FEED THROUGH ADAPTER
2. FINISH: TFS-1A (NICKEL)
1. ALL DIM ARE IN INCHES

QTY	DESCRIPTION		PART NUMBER	ITEM		
TOL UNLESS SPECIFIED		TROMPETER RF connectivity <small>a cisco connectivity solutions brand</small>	UADRNMF20			
.XX ±	.005					
.XXX ±						
.XXXX ±						
ANGLES ±						
DWN	DKG	10/22/92	MATERIAL	CODE IDENT	DRAWING NO.	REV
CHK	<i>Kg</i>	<i>12/02/92</i>		14949	105-1342	A
ENGR	<i>[Signature]</i>					
APPR	<i>[Signature]</i>	<i>10/10/92</i>	SCALE 2/1	DATE 12-21-90	SHEET	

NEXT ASSY