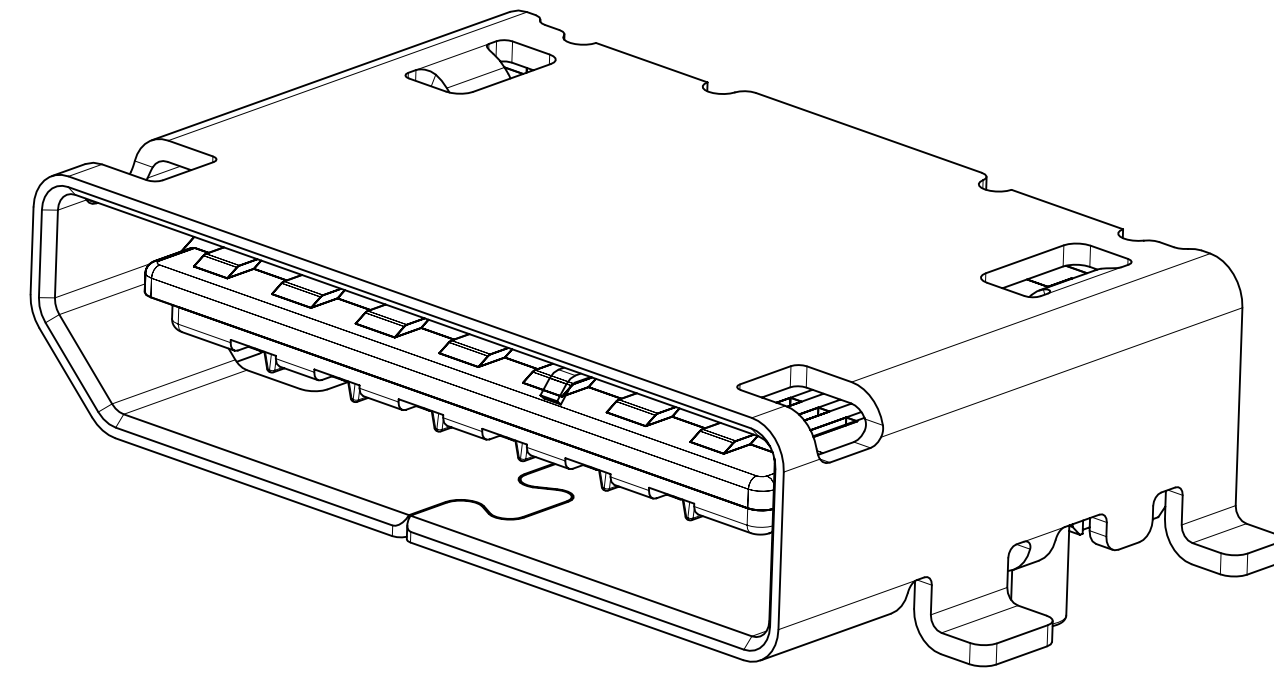
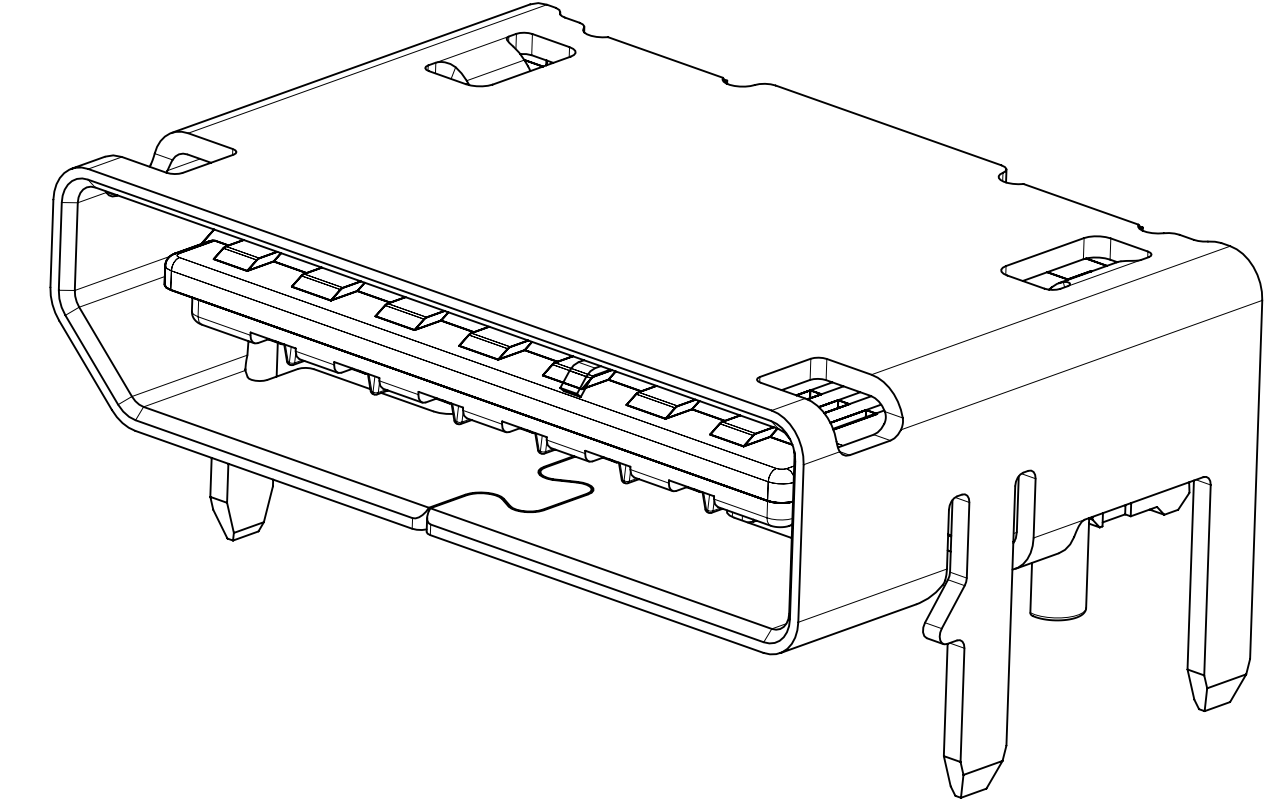


| STATUS | MATERIAL NUMBER | SHELL ATTACH OPTION | DIM 'T' |
|--------|-----------------|---------------------|---------|
| TOOLED | 171982-0142 | SMT | - |
| TOOLED | 171982-1142 | TH | 3 |
| TOOLED | 171982-2142 | TH | 2.36 |
| TOOLED | 171982-3142 | TH | 1.57 |

42 CIRCUIT SMT SHELL



42 CIRCUIT THRU HOLE SHELL



NOTES:

- MATERIALS:**
HOUSING - LCP, GLASS FILLED THERMOPLASTIC, 94V-0
CONTACTS - HIGH PERFORMANCE COPPER ALLOY
SHIELD - STAINLESS STEEL
- FINISH:**
CONTACTS - 0.76µm MIN. GOLD MATING SIDE
0.05µm GOLD FLASH ON SOLDER TAILS
1.27µm MIN. NICKEL UNDERPLATE OVERALL

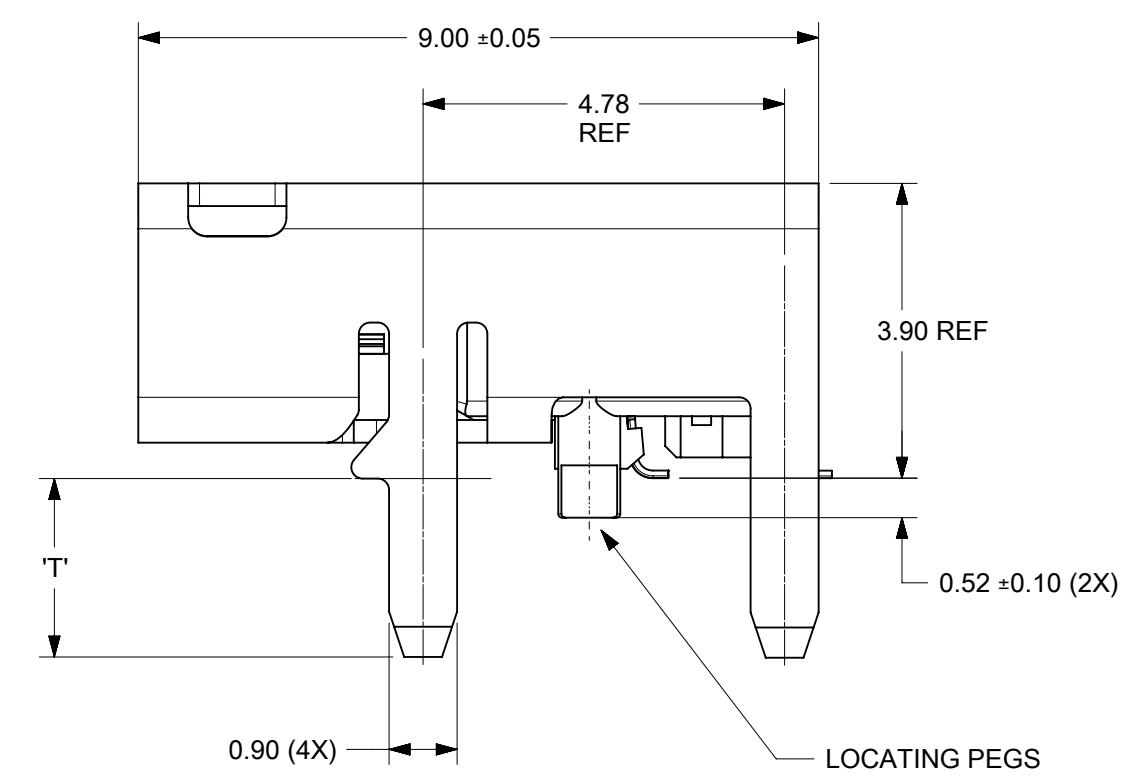
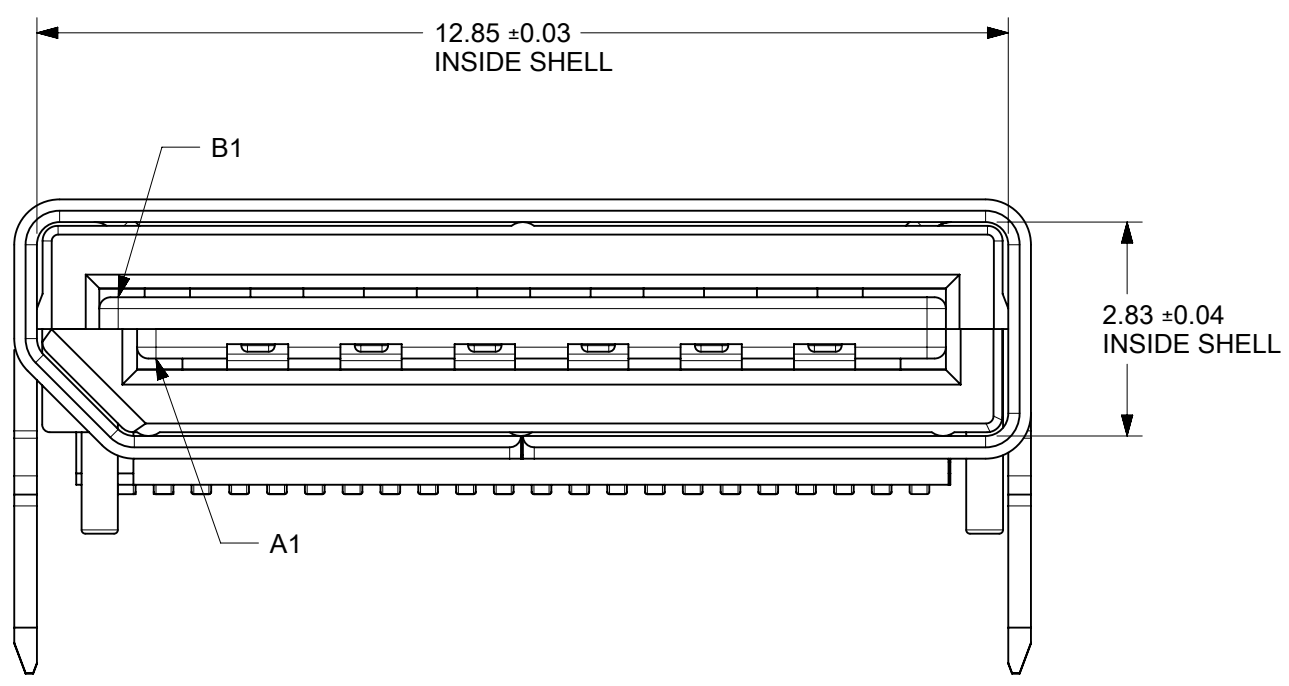
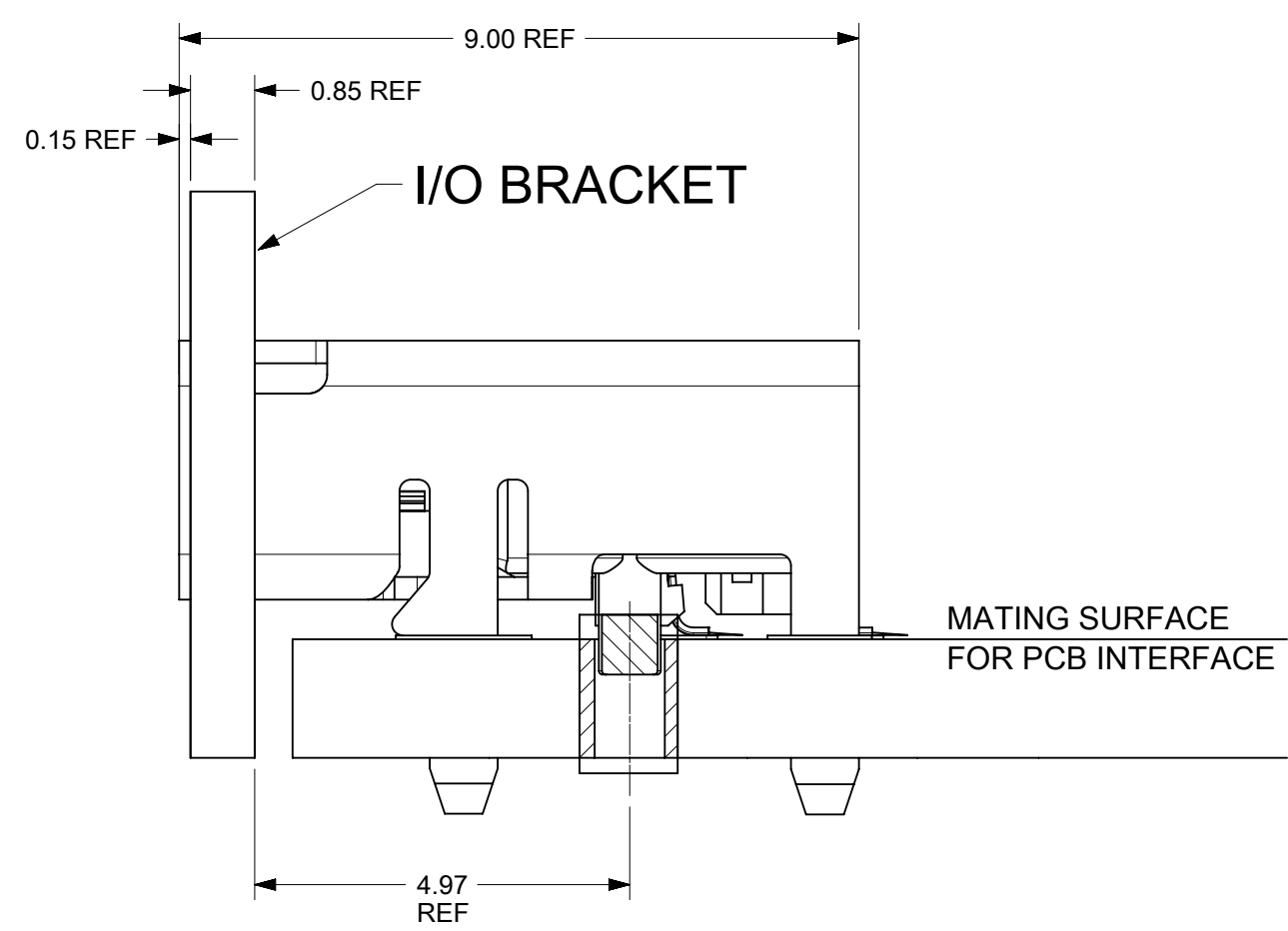
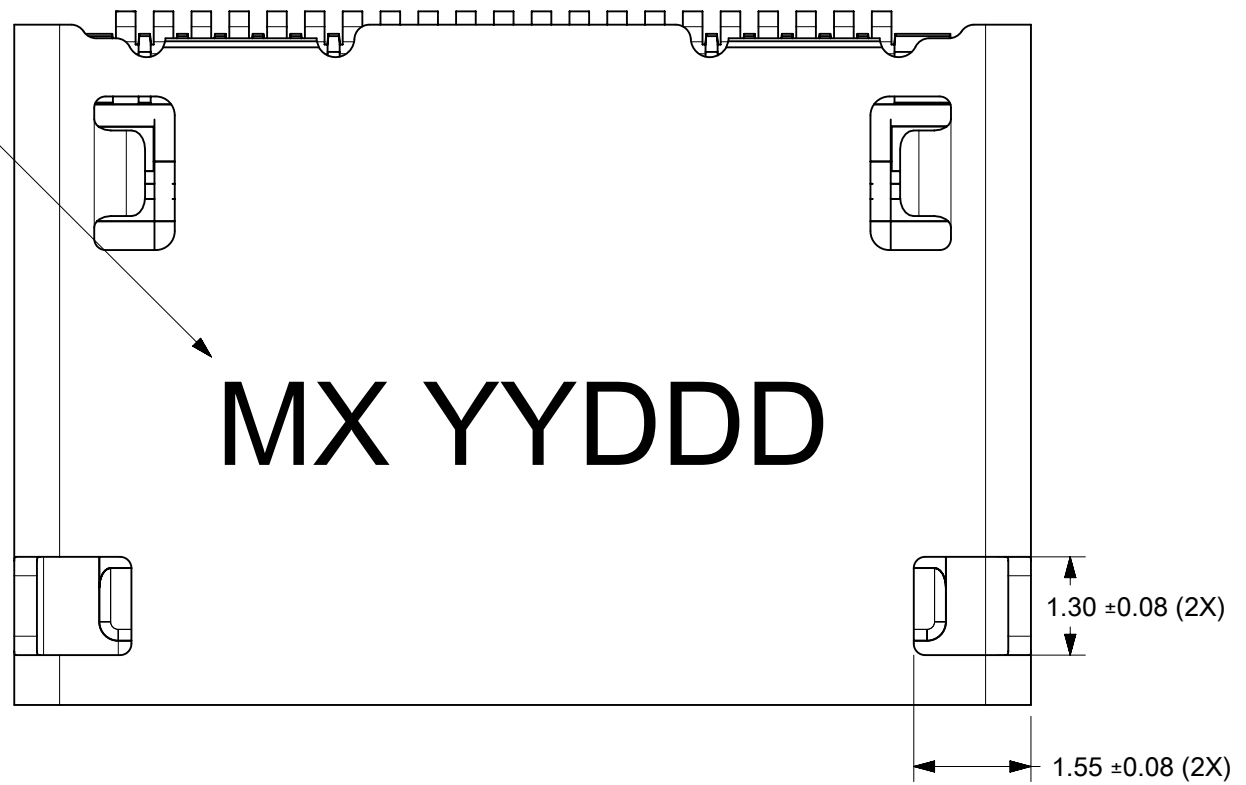
SHIELD - MATTE TIN OVER 1.27µm MIN. NICKEL
- PRODUCT SPECIFICATION:** PS-171982-0001
- PACKAGING SPECIFICATION:** PK-173307-0001
- MATES WITH:** MOLEX CABLE SERIES 100436
PER INDUSTRY STANDARD PCIe OCuLink OR SFF-8612
- APPLICATION SPECIFICATION:** AS-173162-0001
- COSMETIC SPECIFICATION:** PS-45499-002 CALASS B

| | | | | | | | | | | | |
|---|--|--------|--|------------------------------|--|------------|--|----------|--|----------------------------------|--|
| THIS DRAWING CONTAINS INFORMATION THAT IS PROPRIETARY TO MOLEX ELECTRONIC TECHNOLOGIES, LLC AND SHOULD NOT BE USED WITHOUT WRITTEN PERMISSION | | | | | | | | | | | |
| DIMENSION UNITS | | SCALE | | CURRENT REV DESC: | | | | | | molex | |
| mm | | 10:1 | | | | | | | | | |
| GENERAL TOLERANCES (UNLESS SPECIFIED) | | | | EC NO: 672997 | | | | | | NANO-PITCH I/O RIGHT ANGLE 4X | |
| ANGULAR TOL ± 0.5° | | | | DRWN: ABELD2 2021/07/05 | | | | | | | |
| 4 PLACES ± | | | | CHK'D: JKACHLIC 2021/08/30 | | | | | | PRODUCT CUSTOMER DRAWING | |
| 3 PLACES ± | | | | APPR: JKACHLIC 2021/08/30 | | | | | | | |
| 2 PLACES ± 0.13 | | | | INITIAL REVISION: | | | | | | DOCUMENT NUMBER | |
| 1 PLACE ± 0.25 | | | | DRWN: MJANTELEZIO 2015/10/21 | | | | | | | |
| 0 PLACES ± | | | | APPR: MBANAKIS 2015/11/09 | | | | | | SD-171982-1000 | |
| DRAFT WHERE APPLICABLE MUST REMAIN WITHIN DIMENSIONS | | | | THIRD ANGLE PROJECTION | | DRAWING | | SERIES | | CUSTOMER | |
| | | | | | | D-SIZE | | 171982 | | GENERAL MARKET | |
| DIVISIONAL SYMBOLS | | FA = 0 | | FC = 0 | | FD = 0 | | PSD | | 001 J2 | |
| DOCUMENT STATUS | | P1 | | RELEASE DATE | | 2021/08/30 | | 09:41:22 | | SHEET NUMBER | |
| | | | | | | | | | | 1 OF 6 | |

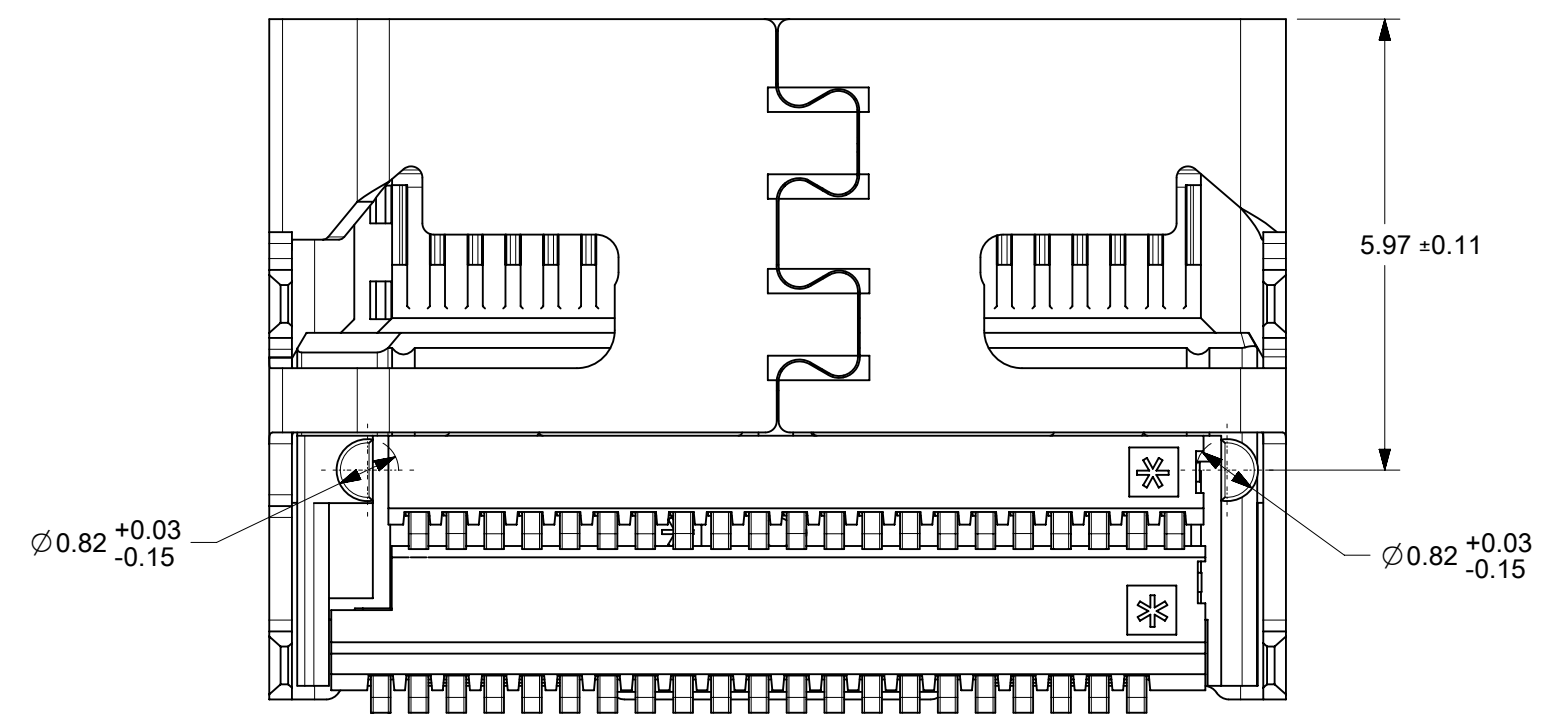
42 CIRCUIT TH ASSEMBLY

EXTERNAL

SEE NOTE #1

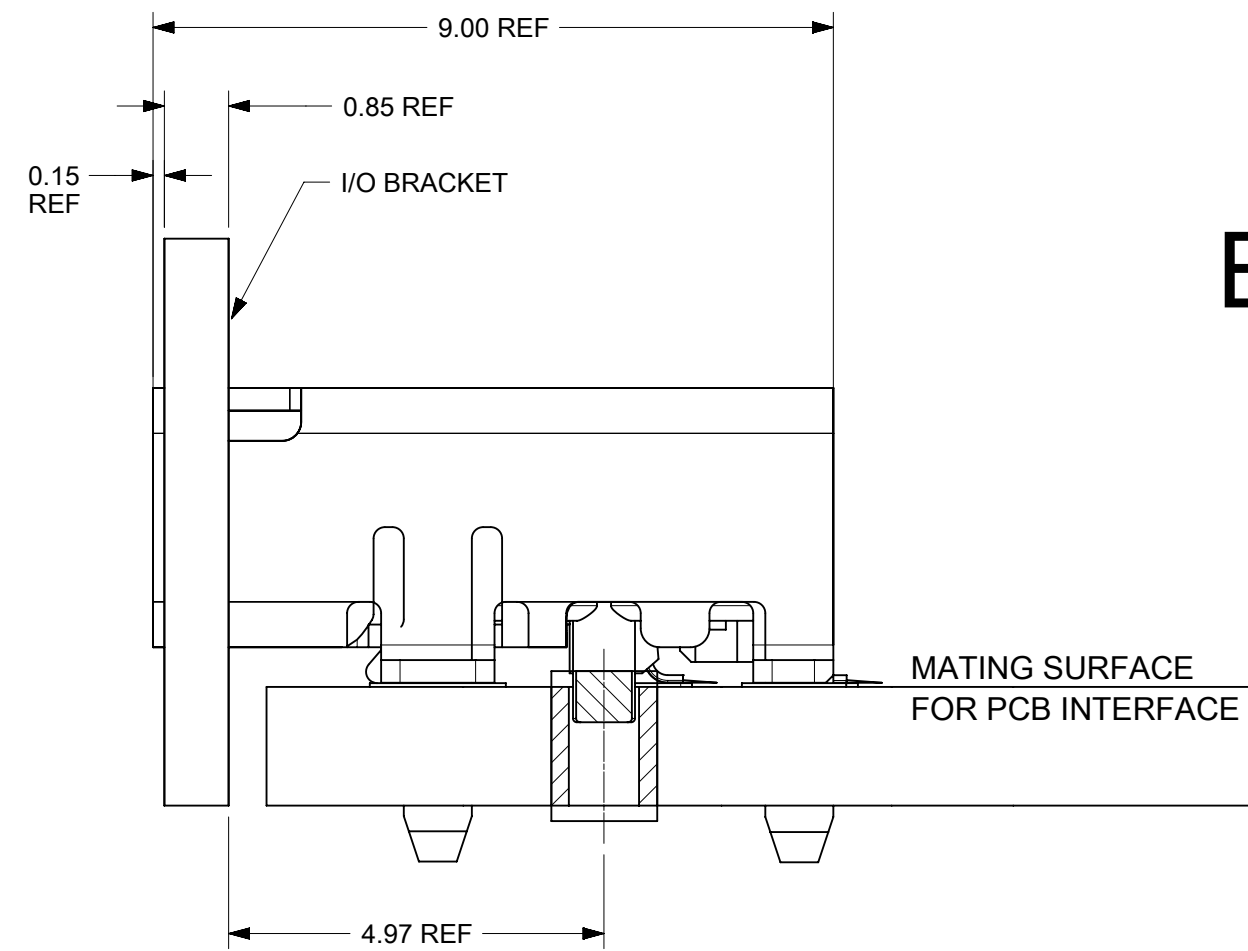
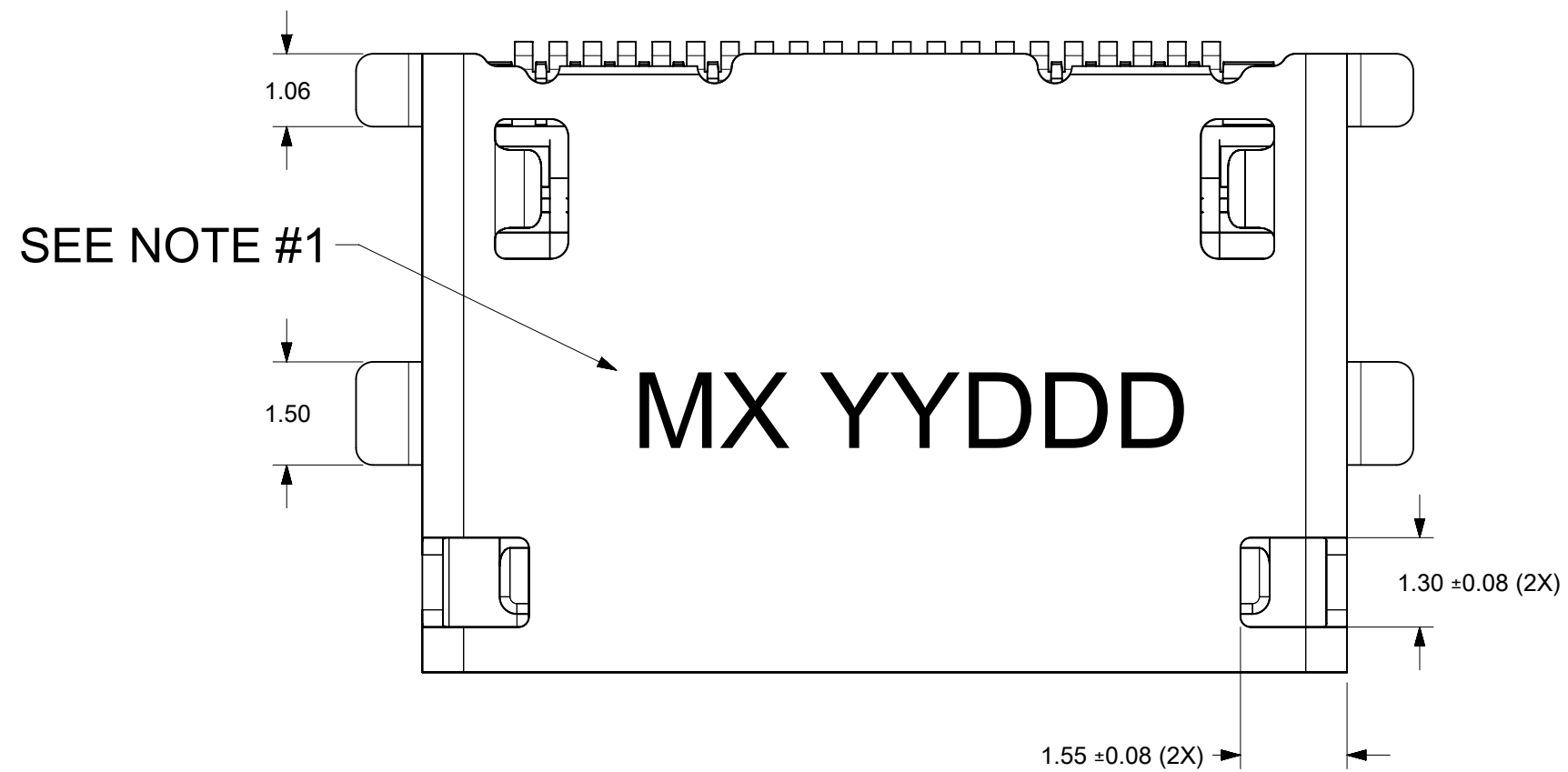


- NOTES:**
- MANUFACTURED DATE CODE (JULIAN CALENDAR)
MX YYDDD
 - DAY OF THE YEAR
 - LAST TWO DIGITS OF THE YEAR
 - MOLEX
 - SOLDER TAIL COPLANARITY 0.10 MAX

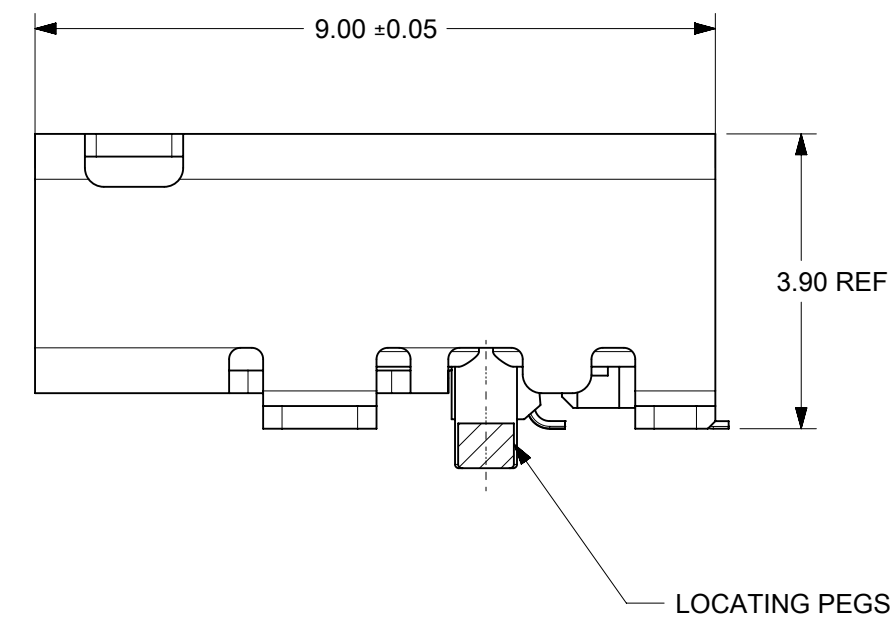
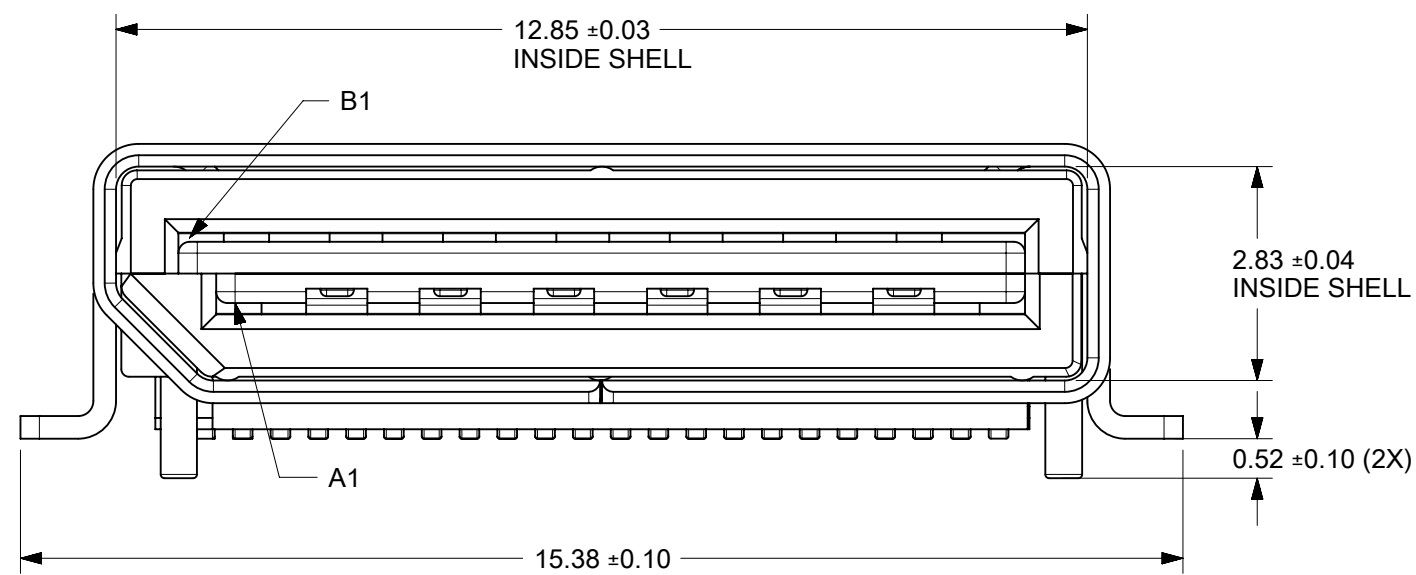


| | | | | | |
|--------------------|---|--------|-------------------|-----------------|----------------------------------|
| FUNCTIONAL SYMBOLS | THIS DRAWING CONTAINS INFORMATION THAT IS PROPRIETARY TO MOLEX ELECTRONIC TECHNOLOGIES, LLC AND SHOULD NOT BE USED WITHOUT WRITTEN PERMISSION | | CURRENT REV DESC: | | molex |
| | DIMENSION UNITS | SCALE | | | |
| FA = 0 | mm | 10:1 | | | NANO-PITCH I/O RIGHT ANGLE 4X |
| EC = 0 | GENERAL TOLERANCES (UNLESS SPECIFIED) | | | | |
| EP = 0 | ANGULAR TOL ± 0.5° | | | | PRODUCT CUSTOMER DRAWING |
| ##### | 4 PLACES | ± | EC NO: 672997 | 2021/07/05 | |
| | 3 PLACES | ± | DRWN: ABELD2 | 2021/08/30 | |
| | 2 PLACES | ± 0.13 | CHK'D: JKACHLIC | 2021/08/30 | |
| | 1 PLACE | ± 0.25 | APPR: JKACHLIC | 2021/08/30 | |
| | 0 PLACES | ± | INITIAL REVISION: | | |
| | DRAFT WHERE APPLICABLE MUST REMAIN WITHIN DIMENSIONS | | DRWN: MJANTELEZIO | 2015/10/21 | |
| | THIRD ANGLE PROJECTION | | APPR: MBANAKIS | 2015/11/09 | |
| | DRAWING | | SERIES | DOCUMENT NUMBER | |
| | C-SIZE | | 171982 | SD-171982-1000 | |
| | MATERIAL NUMBER | | CUSTOMER | DOC TYPE | |
| | GENERAL MARKET | | GENERAL MARKET | PSD | |
| | SHEET NUMBER | | DOC PART | | |
| | 2 OF 6 | | 001 | | |
| | | | REVISION | | |
| | | | J2 | | |

42 CIRCUIT SMT ASSEMBLY



EXTERNAL



NOTES:

1. MANUFACTURED DATE CODE (JULIAN CALENDAR)

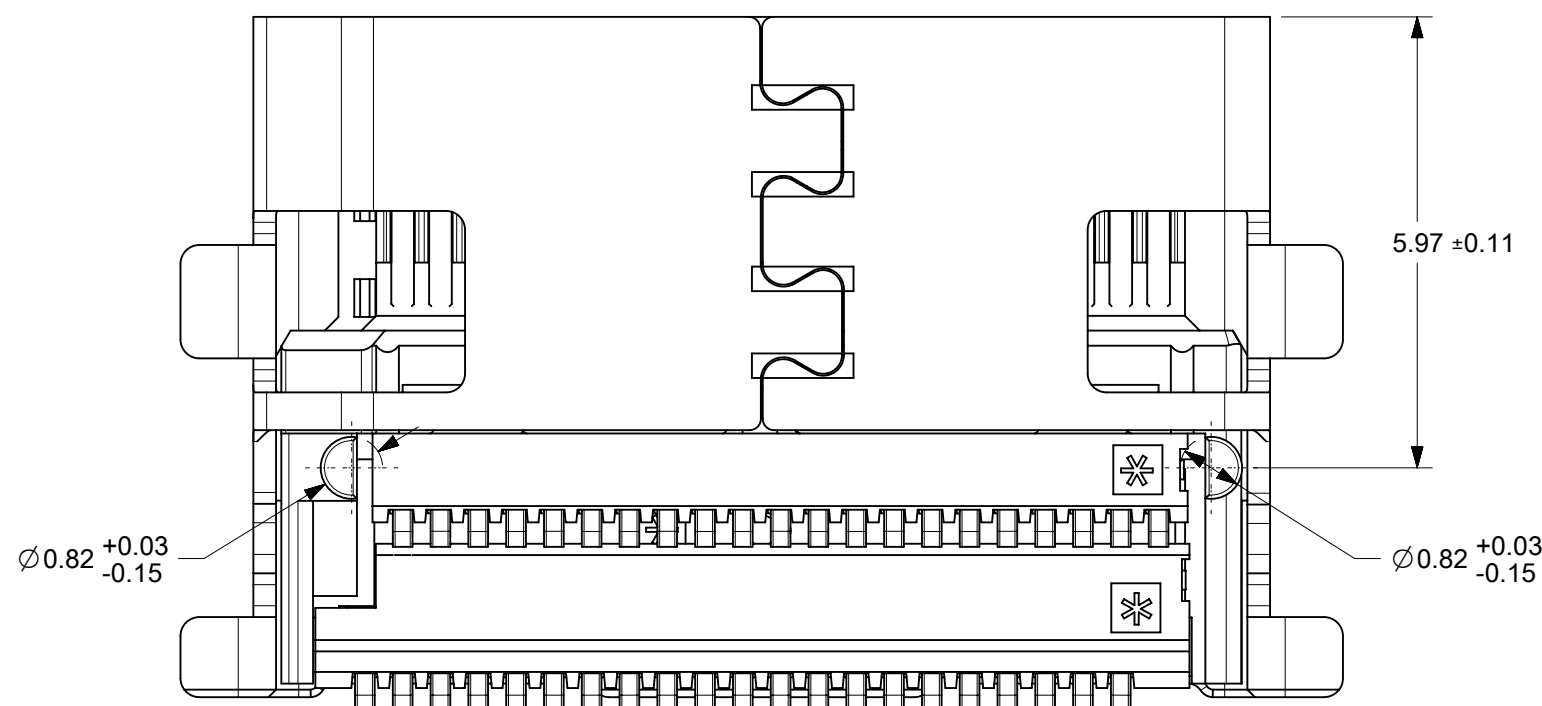
MX YYDDD

DAY OF THE YEAR

LAST TWO DIGITS OF THE YEAR

MOLEX

2. SOLDER TAIL COPLANARITY 0.10 MAX



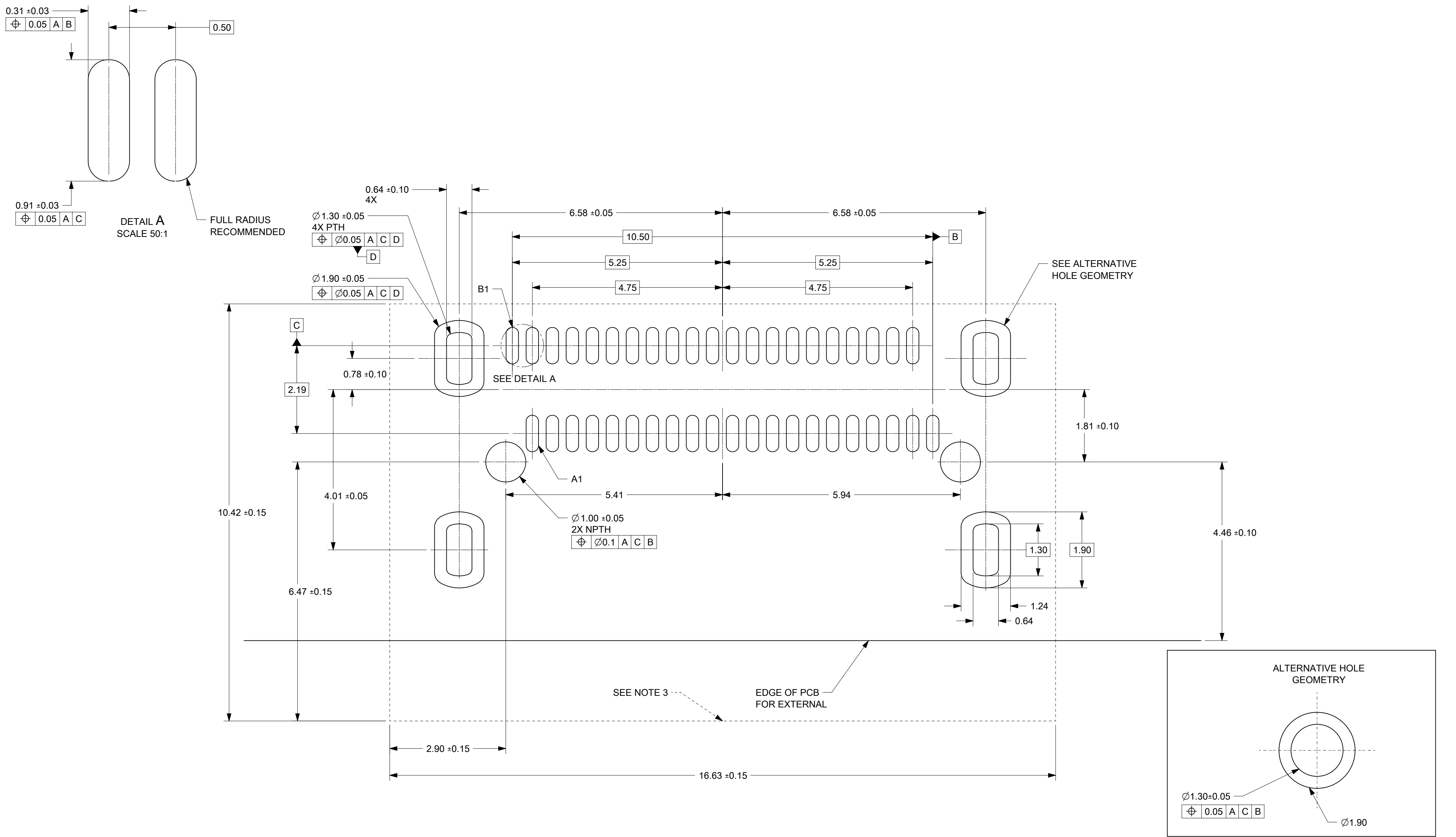
| | | | | |
|--------------------|---|----------------|------------------------------|---------------------|
| FUNCTIONAL SYMBOLS | THIS DRAWING CONTAINS INFORMATION THAT IS PROPRIETARY TO MOLEX ELECTRONIC TECHNOLOGIES, LLC AND SHOULD NOT BE USED WITHOUT WRITTEN PERMISSION | | | |
| | DIMENSION UNITS | SCALE | CURRENT REV DESC: | |
| $\frac{F}{A} = 0$ | mm | 10:1 | EC NO: 672997 | |
| $\frac{F}{C} = 0$ | GENERAL TOLERANCES (UNLESS SPECIFIED) | | DRWN: ABELD2 2021/07/05 | |
| $\frac{F}{P} = 0$ | ANGULAR TOL ± 0.5° | | CHK'D: JKACHLIC 2021/08/30 | |
| ##### | 4 PLACES | ± | APPR: JKACHLIC 2021/08/30 | |
| | 3 PLACES | ± | INITIAL REVISION: | |
| | 2 PLACES | ± 0.13 | DRWN: MJANTELEZIO 2015/10/21 | |
| | 1 PLACE | ± 0.25 | APPR: MBANAKIS 2015/11/09 | |
| | 0 PLACES | ± | THIRD ANGLE PROJECTION | |
| | DRAFT WHERE APPLICABLE MUST REMAIN WITHIN DIMENSIONS | | DRAWING | SERIES |
| | | | C-SIZE | 171982 |
| DOCUMENT STATUS | | P1 | RELEASE DATE | 2021/08/30 09:41:22 |
| DOCUMENT NUMBER | | CUSTOMER | | SHEET NUMBER |
| SD-171982-1000 | | GENERAL MARKET | | 3 OF 6 |
| DOC TYPE | | DOC PART | REVISION | |
| PSD | | 001 | J2 | |

molex

NANO-PITCH I/O
RIGHT ANGLE 4X

PRODUCT CUSTOMER DRAWING

42 CIRCUIT TAIL RECOMMENDED FOOTPRINT

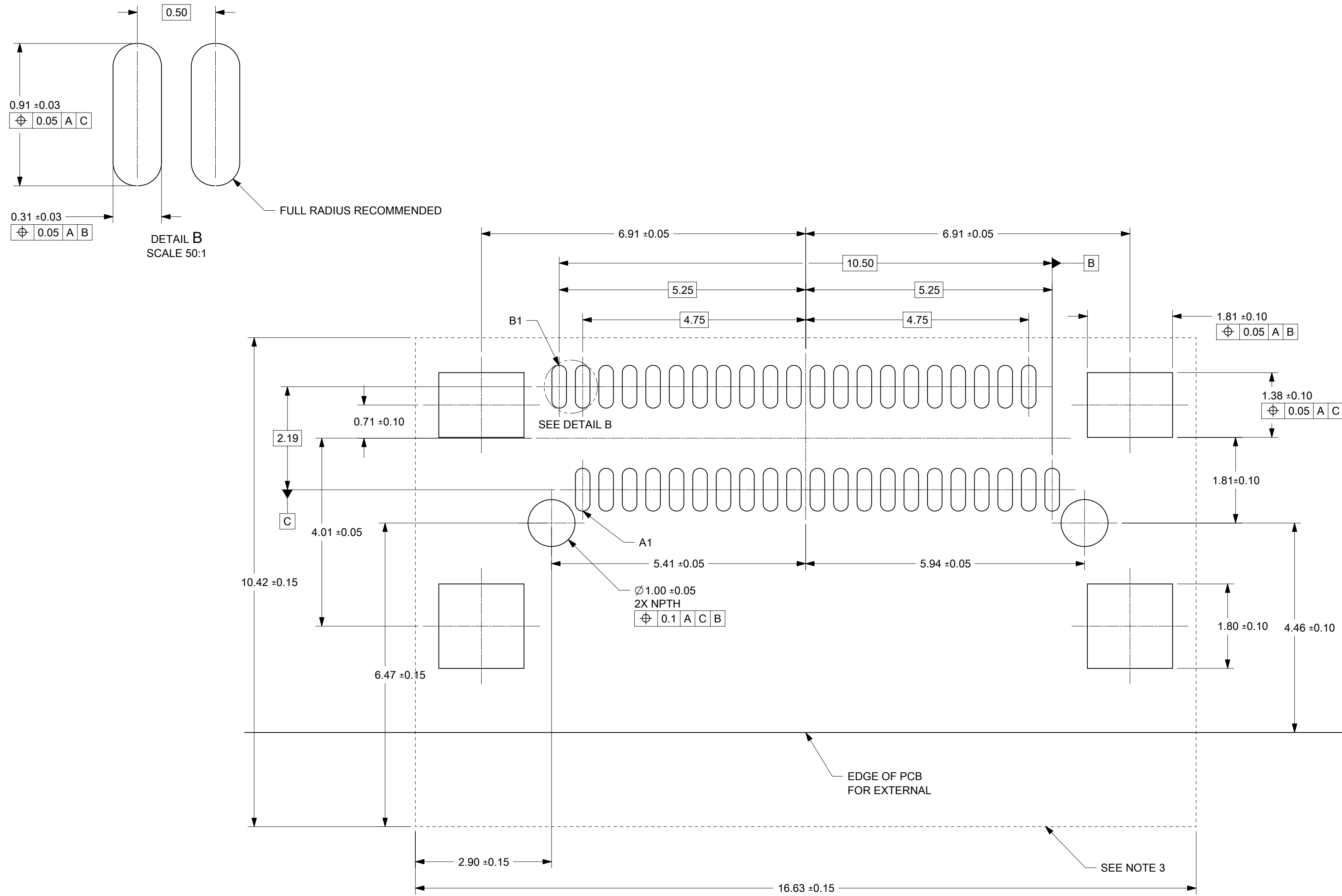


NOTES:

1. MINIMUM RECOMMENDED SPACING BETWEEN ADJACENT CONNECTOR IS 19.05mm
2. MINIMUM RECOMMENDED PCB THICKNESS: 1.57mm
3. CONNECTOR KEEP OUT AREA
4. DATUM -A- ESTABLISHED FROM TOP SURFACE OF PCB

| | | | | | | | | |
|--|---|------------------------|-------------------|------------|----------------------------------|----------|--------------|----------|
| FUNCTIONAL SYMBOLS $\overline{F_A} = 0$ $\overline{F_C} = 0$ $\overline{F_P} = 0$ ##### | THIS DRAWING CONTAINS INFORMATION THAT IS PROPRIETARY TO MOLEX ELECTRONIC TECHNOLOGIES, LLC AND SHOULD NOT BE USED WITHOUT WRITTEN PERMISSION | | CURRENT REV DESC: | | | | | |
| | DIMENSION UNITS | SCALE | | | | | | |
| | GENERAL TOLERANCES (UNLESS SPECIFIED) | | | | | | | |
| | ANGULAR TOL $\pm 0.5^\circ$ | | | | | | | |
| 4 PLACES \pm | mm | 15:1 | EC NO: 672997 | 2021/07/05 | NANO-PITCH I/O RIGHT ANGLE 4X | | | |
| 3 PLACES \pm | | | DRWN: ABELD2 | 2021/08/30 | | | | |
| 2 PLACES ± 0.13 | | | CHK'D: JKACHLIC | 2021/08/30 | PRODUCT CUSTOMER DRAWING | | | |
| 1 PLACE ± 0.25 | | | APPR: JKACHLIC | 2021/08/30 | | | | |
| 0 PLACES \pm | | | INITIAL REVISION: | | DOCUMENT NUMBER | DOC TYPE | DOC PART | REVISION |
| DRAFT WHERE APPLICABLE MUST REMAIN WITHIN DIMENSIONS | | THIRD ANGLE PROJECTION | DRW: MJANTELEZIO | 2015/10/21 | SD-171982-1000 | PSD | 001 | J2 |
| | | | APPR: MBANAKIS | 2015/11/09 | MATERIAL NUMBER | CUSTOMER | SHEET NUMBER | |
| | | | | | GENERAL MARKET | 4 OF 6 | | |

42 CIRCUIT SMT RECOMMENDED FOOTPRINT



NOTES:

1. MINIMUM RECOMMENDED SPACING BETWEEN ADJACENT CONNECTOR IS 19.05mm
2. MINIMUM RECOMMENDED PCB THICKNESS: 1.57mm
3. CONNECTOR KEEP OUT AREA
4. DATUM -A- ESTABLISHED FROM TOP SURFACE OF PCB

| | | | |
|--|---|----------------|------------------------------|
| FUNCTIONAL SYMBOLS | THIS DRAWING CONTAINS INFORMATION THAT IS PROPRIETARY TO MOLEX ELECTRONIC TECHNOLOGIES, LLC AND SHOULD NOT BE USED WITHOUT WRITTEN PERMISSION | | |
| | DIMENSION UNITS | SCALE | CURRENT REV DESC: |
| $\frac{F}{A} = 0$ | mm | 15:1 | EC NO: 672997 |
| $\frac{F}{C} = 0$ | GENERAL TOLERANCES (UNLESS SPECIFIED) | | DRWN: ABELD2 2021/07/05 |
| $\frac{F}{P} = 0$ | ANGULAR TOL $\pm 0.5^\circ$ | | CHK'D: JKACHLIC 2021/08/30 |
| ##### | 4 PLACES | \pm | APPR: JKACHLIC 2021/08/30 |
| | 3 PLACES | \pm | INITIAL REVISION: |
| | 2 PLACES | ± 0.13 | DRWN: MJANTELEZIO 2015/10/21 |
| | 1 PLACE | ± 0.25 | APPR: MBANAKIS 2015/11/09 |
| | 0 PLACES | \pm | |
| DRAFT WHERE APPLICABLE MUST REMAIN WITHIN DIMENSIONS | THIRD ANGLE PROJECTION | DRAWING | SERIES |
| | | C-SIZE | 171982 |
| DOCUMENT STATUS | | P1 | RELEASE DATE |
| 2021/08/30 | | 09:41:22 | |
| DOCUMENT NUMBER | | CUSTOMER | SHEET NUMBER |
| SD-171982-1000 | | GENERAL MARKET | 5 OF 6 |
| DOC TYPE | | DOC PART | REVISION |
| PSD | | 001 | J2 |

molex

NANO-PITCH I/O
RIGHT ANGLE 4X

PRODUCT CUSTOMER DRAWING

