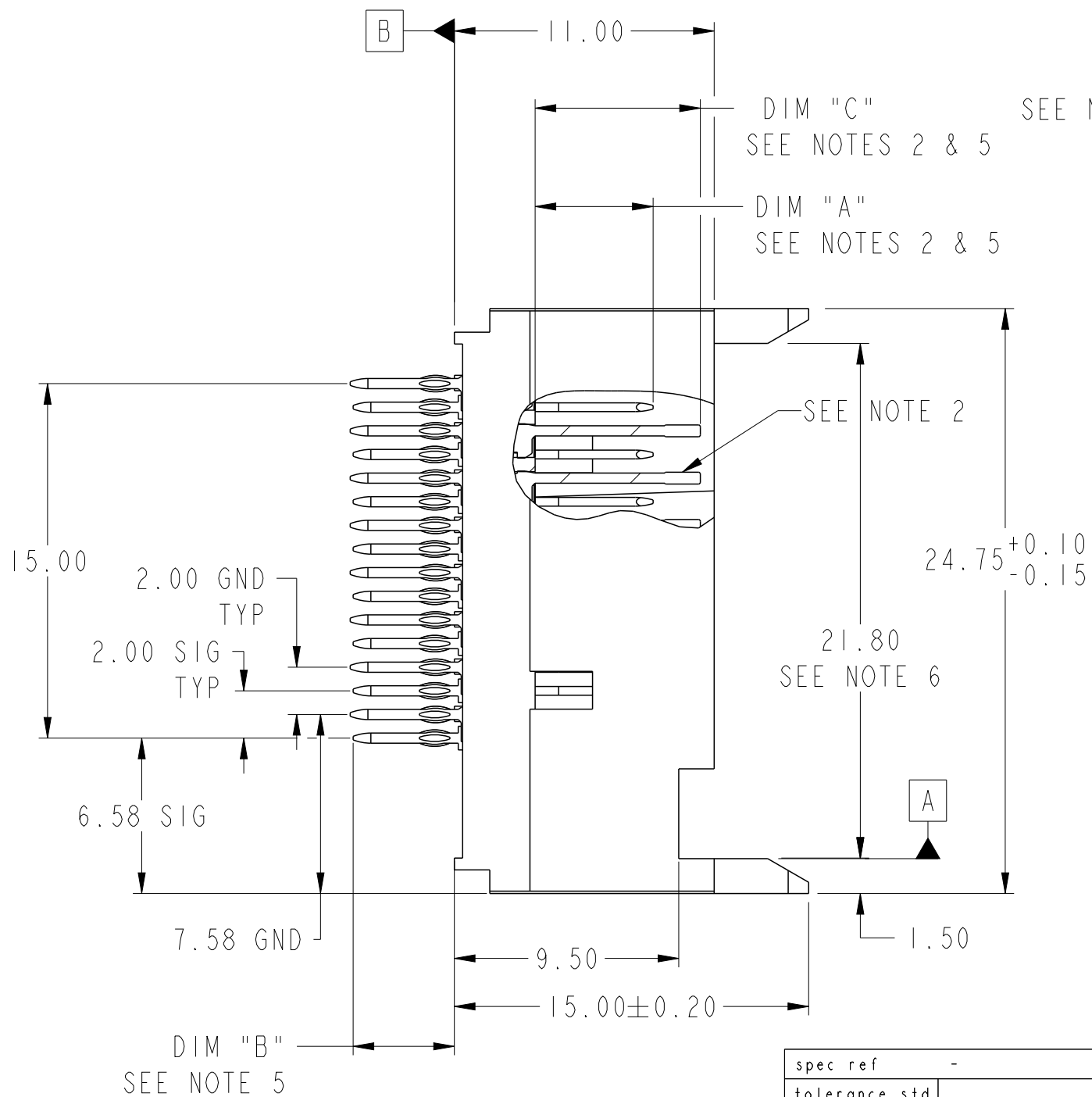
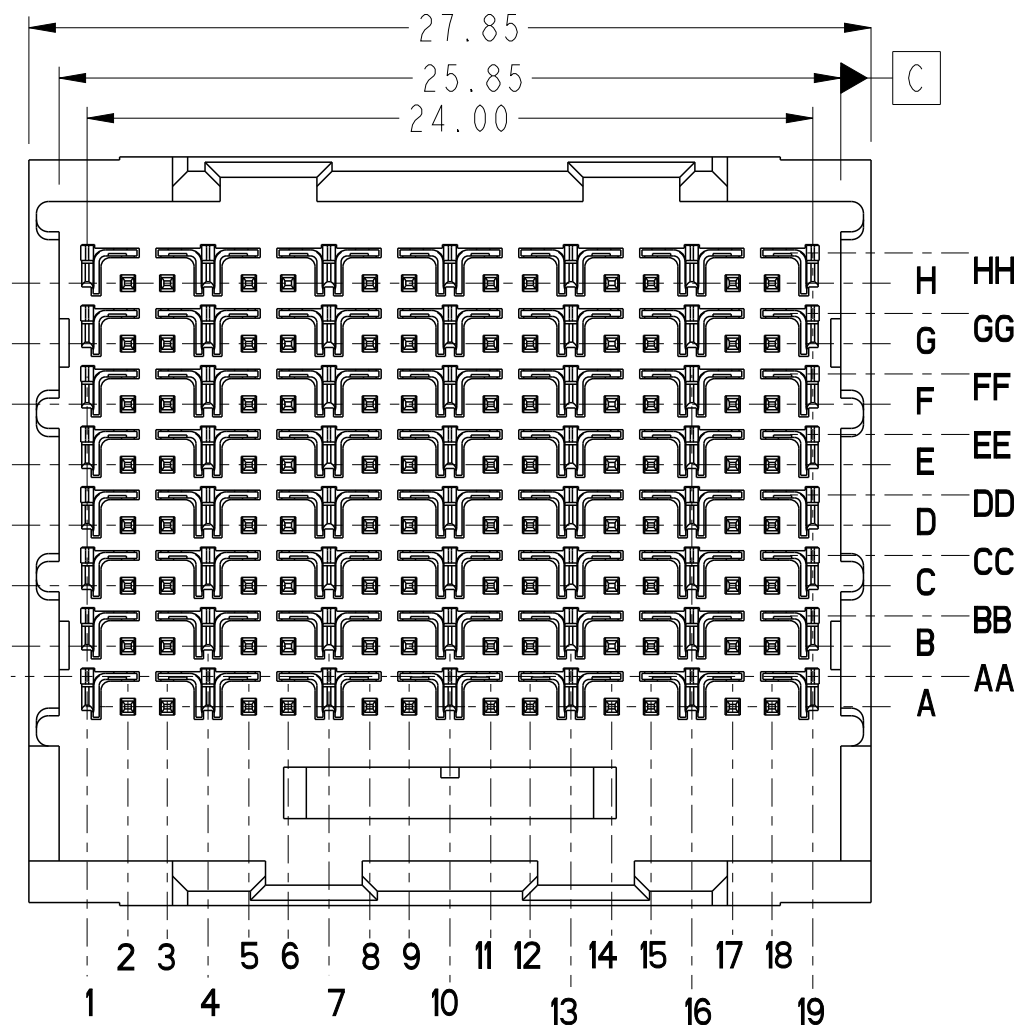
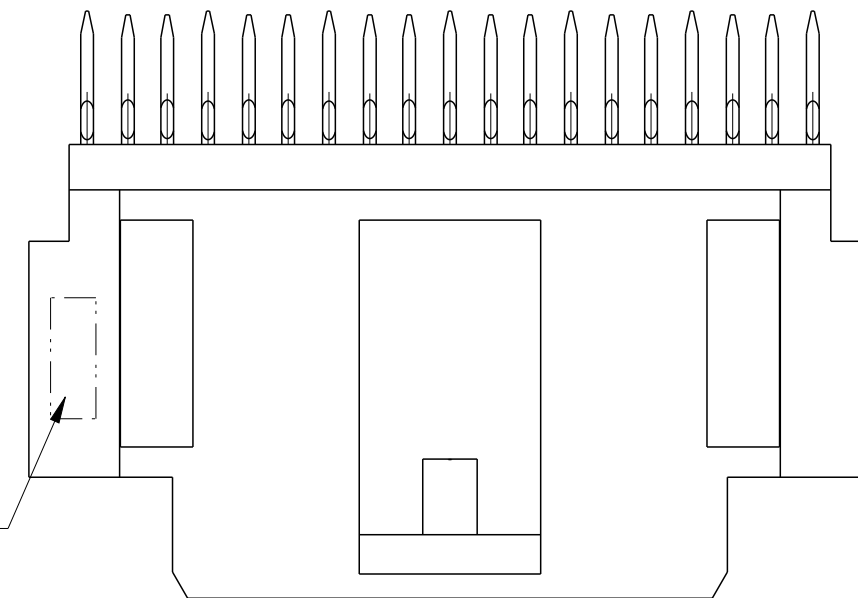


|                |                                   |                        |
|----------------|-----------------------------------|------------------------|
| PRODUCT NUMBER | CONTACT PLATING PERFORMANCE LEVEL | PRESS FIT TAIL PLATING |
| 84962-1YY      | TELCORDIA CO                      | STANDARD (SnPb)        |
| 84962-1YYLF    | TELCORDIA CO                      | LEAD FREE (Sn)         |



|                                       |            |        |              |            |            |   |                 |                |                           |          |                        |              |
|---------------------------------------|------------|--------|--------------|------------|------------|---|-----------------|----------------|---------------------------|----------|------------------------|--------------|
| spec ref                              | -          | dr     | wcadmin      | 1999/12/17 | projection | mm  | size            | A3             | scale                     | 4:1      |                        |              |
| tolerance std                         | ASME Y14.5 | eng    | K Ayyapparaj | 2012/09/27 |            |   | ecn no          | ELX-V-013035-1 | rel level                 | Released |                        |              |
| TOLERANCES UNLESS OTHERWISE SPECIFIED |            | chr    | -            | apppr      |            |   |                 |                |                           |          | R Marshall             | 2012/10/01   |
| surface                               | ✓          | linear | 0.X          | ±0.3       |            | VERTICAL SIGNAL HDR. 8 ROW<br>P.F. 48 POS. SPECIAL LOAD | dwg no<br>84962 | rev<br>K       | ASME Y14.5 angular 0° ±2° |          |                        |              |
|                                       |            |        | 0.XX         | ±0.10      |            |   |                 |                | www.fci.com               | cat. no. | Product - Customer Drw | sheet 1 of 5 |
|                                       |            |        | 0.XXX        | ±0.050     |            |   |                 |                |                           |          |                        |              |



Copyright FCI.

| 1  |     |         |                        |                |             | 2  |     |         |                        |                |             | 3  |     |         |                        |                |             | 4  |     |         |                        |                |             |
|--|-----|---------|------------------------|----------------|-------------|--|-----|---------|------------------------|----------------|-------------|--|-----|---------|------------------------|----------------|-------------|--|-----|---------|------------------------|----------------|-------------|
| PRODUCT NO.                                    | ROW | DIM "A" | GROUND PIN MATE LENGTH | DIM "B" SIGNAL | DIM "B" GND | PRODUCT NO.                                    | ROW | DIM "A" | GROUND PIN MATE LENGTH | DIM "B" SIGNAL | DIM "B" GND | PRODUCT NO.                                    | ROW | DIM "A" | GROUND PIN MATE LENGTH | DIM "B" SIGNAL | DIM "B" GND | PRODUCT NO.                                    | ROW | DIM "A" | GROUND PIN MATE LENGTH | DIM "B" SIGNAL | DIM "B" GND |
| 84962-X01<br>SEE NOTE 7<br>LEAD FREE<br>OPTION | H   | 5.00    | 7.00                   | 4.30           | 4.30        | 84962-X10<br>SEE NOTE 7<br>LEAD FREE<br>OPTION | H   | 5.00    | 7.00                   | 3.40           | 3.40        | 84962-X11<br>SEE NOTE 7<br>LEAD FREE<br>OPTION | H   | 5.75    | 7.00                   | 3.40           | 3.40        | 84962-X12<br>SEE NOTE 7<br>LEAD FREE<br>OPTION | H   | 6.50    | 7.00                   | 3.40           | 3.40        |
|  | G   | 5.00    | 7.00                   | 4.30           | 4.30        |  | G   | 5.00    | 7.00                   | 3.40           | 3.40        |  | G   | 5.75    | 7.00                   | 3.40           | 3.40        |  | G   | 6.50    | 7.00                   | 3.40           | 3.40        |
|  | F   | 5.00    | 7.00                   | 4.30           | 4.30        |  | F   | 5.00    | 7.00                   | 3.40           | 3.40        |  | F   | 5.75    | 7.00                   | 3.40           | 3.40        |  | F   | 6.50    | 7.00                   | 3.40           | 3.40        |
|  | E   | 5.00    | 7.00                   | 4.30           | 4.30        |  | E   | 5.00    | 7.00                   | 3.40           | 3.40        |  | E   | 5.75    | 7.00                   | 3.40           | 3.40        |  | E   | 6.50    | 7.00                   | 3.40           | 3.40        |
|  | D   | 5.00    | 7.00                   | 4.30           | 4.30        |  | D   | 5.00    | 7.00                   | 3.40           | 3.40        |  | D   | 5.75    | 7.00                   | 3.40           | 3.40        |  | D   | 6.50    | 7.00                   | 3.40           | 3.40        |
|  | C   | 5.00    | 7.00                   | 4.30           | 4.30        |  | C   | 5.00    | 7.00                   | 3.40           | 3.40        |  | C   | 5.75    | 7.00                   | 3.40           | 3.40        |  | C   | 6.50    | 7.00                   | 3.40           | 3.40        |
|  | B   | 5.00    | 7.00                   | 4.30           | 4.30        |  | B   | 5.00    | 7.00                   | 3.40           | 3.40        |  | B   | 5.75    | 7.00                   | 3.40           | 3.40        |  | B   | 6.50    | 7.00                   | 3.40           | 3.40        |
|  | A   | 5.00    | 7.00                   | 4.30           | 4.30        |  | A   | 5.00    | 7.00                   | 3.40           | 3.40        |  | A   | 5.75    | 7.00                   | 3.40           | 3.40        |  | A   | 6.50    | 7.00                   | 3.40           | 3.40        |
| 84962-X02<br>SEE NOTE 7<br>LEAD FREE<br>OPTION | H   | 5.75    | 7.00                   | 4.30           | 4.30        | 84962-X11<br>SEE NOTE 7<br>LEAD FREE<br>OPTION | H   | 5.75    | 7.00                   | 3.40           | 3.40        | 84962-X12<br>SEE NOTE 7<br>LEAD FREE<br>OPTION | H   | 6.50    | 7.00                   | 3.40           | 3.40        |  |     |         |                        |                |             |
|  | G   | 5.75    | 7.00                   | 4.30           | 4.30        |  | G   | 5.75    | 7.00                   | 3.40           | 3.40        |  | G   | 6.50    | 7.00                   | 3.40           | 3.40        |  |     |         |                        |                |             |
|  | F   | 5.75    | 7.00                   | 4.30           | 4.30        |  | F   | 5.75    | 7.00                   | 3.40           | 3.40        |  | F   | 6.50    | 7.00                   | 3.40           | 3.40        |  |     |         |                        |                |             |
|  | E   | 5.75    | 7.00                   | 4.30           | 4.30        |  | E   | 5.75    | 7.00                   | 3.40           | 3.40        |  | E   | 6.50    | 7.00                   | 3.40           | 3.40        |  |     |         |                        |                |             |
|  | D   | 5.75    | 7.00                   | 4.30           | 4.30        |  | D   | 5.75    | 7.00                   | 3.40           | 3.40        |  | D   | 6.50    | 7.00                   | 3.40           | 3.40        |  |     |         |                        |                |             |
|  | C   | 5.75    | 7.00                   | 4.30           | 4.30        |  | C   | 5.75    | 7.00                   | 3.40           | 3.40        |  | C   | 6.50    | 7.00                   | 3.40           | 3.40        |  |     |         |                        |                |             |
|  | B   | 5.75    | 7.00                   | 4.30           | 4.30        |  | B   | 5.75    | 7.00                   | 3.40           | 3.40        |  | B   | 6.50    | 7.00                   | 3.40           | 3.40        |  |     |         |                        |                |             |
|  | A   | 5.75    | 7.00                   | 4.30           | 4.30        |  | A   | 5.75    | 7.00                   | 3.40           | 3.40        |  | A   | 6.50    | 7.00                   | 3.40           | 3.40        |  |     |         |                        |                |             |
| 84962-X03<br>SEE NOTE 7<br>LEAD FREE<br>OPTION | H   | 6.50    | 7.00                   | 4.30           | 4.30        | 84962-X12<br>SEE NOTE 7<br>LEAD FREE<br>OPTION | H   | 6.50    | 7.00                   | 3.40           | 3.40        | 84962-X12<br>SEE NOTE 7<br>LEAD FREE<br>OPTION | H   | 6.50    | 7.00                   | 3.40           | 3.40        |  |     |         |                        |                |             |
|  | G   | 6.50    | 7.00                   | 4.30           | 4.30        |  | G   | 6.50    | 7.00                   | 3.40           | 3.40        |  | G   | 6.50    | 7.00                   | 3.40           | 3.40        |  |     |         |                        |                |             |
|  | F   | 6.50    | 7.00                   | 4.30           | 4.30        |  | F   | 6.50    | 7.00                   | 3.40           | 3.40        |  | F   | 6.50    | 7.00                   | 3.40           | 3.40        |  |     |         |                        |                |             |
|  | E   | 6.50    | 7.00                   | 4.30           | 4.30        |  | E   | 6.50    | 7.00                   | 3.40           | 3.40        |  | E   | 6.50    | 7.00                   | 3.40           | 3.40        |  |     |         |                        |                |             |
|  | D   | 6.50    | 7.00                   | 4.30           | 4.30        |  | D   | 6.50    | 7.00                   | 3.40           | 3.40        |  | D   | 6.50    | 7.00                   | 3.40           | 3.40        |  |     |         |                        |                |             |
|  | C   | 6.50    | 7.00                   | 4.30           | 4.30        |  | C   | 6.50    | 7.00                   | 3.40           | 3.40        |  | C   | 6.50    | 7.00                   | 3.40           | 3.40        |  |     |         |                        |                |             |
|  | B   | 6.50    | 7.00                   | 4.30           | 4.30        |  | B   | 6.50    | 7.00                   | 3.40           | 3.40        |  | B   | 6.50    | 7.00                   | 3.40           | 3.40        |  |     |         |                        |                |             |
|  | A   | 6.50    | 7.00                   | 4.30           | 4.30        |  | A   | 6.50    | 7.00                   | 3.40           | 3.40        |  | A   | 6.50    | 7.00                   | 3.40           | 3.40        |  |     |         |                        |                |             |



Copyright FCI.

|               |  |             |              |            |                            |                        |              |                |          |        |         |    |     |      |            |            |                |             |           |          |  |  |
|---------------|--|-------------|--------------|------------|----------------------------|------------------------|--------------|----------------|----------|--------|---------|----|-----|------|------------|------------|----------------|-------------|-----------|----------|--|--|
| spec ref      | -  | dr          | wcadmin      | 1999/12/17 | projection                 | mm                     | size         | A3             | scale    | 4:1    |         |    |     |      |            |            |                |             |           |          |  |  |
| tolerance std | ASME Y14.5   | eng         | K Ayyapparaj | 2012/09/27 |                            |                        | ecn no       | ELX-V-013035-1 |          |        |         |    |     |      |            |            |                |             |           |          |  |  |
|               | TOLERANCES UNLESS OTHERWISE SPECIFIED  | chr         | -            |            |                            |                        |              | rel level      | Released |        |         |    |     |      |            |            |                |             |           |          |  |  |
| surface       | <table border="1"> <tr> <td>linear</td> <td>0.X</td> <td>±0.3</td> </tr> <tr> <td></td> <td>0.XX</td> <td>±0.10</td> </tr> <tr> <td></td> <td>0.XXX</td> <td>±0.050</td> </tr> <tr> <td>angular</td> <td>0°</td> <td>±2°</td> </tr> </table> | linear      | 0.X          | ±0.3       |                            | 0.XX                   | ±0.10        |                | 0.XXX    | ±0.050 | angular | 0° | ±2° | appr | R Marshall | 2012/10/01 | product family | METRAL 3000 | rel level | Released |  |  |
| linear        | 0.X  | ±0.3        |              |            |                            |                        |              |                |          |        |         |    |     |      |            |            |                |             |           |          |  |  |
|               | 0.XX   | ±0.10       |              |            |                            |                        |              |                |          |        |         |    |     |      |            |            |                |             |           |          |  |  |
|               | 0.XXX  | ±0.050      |              |            |                            |                        |              |                |          |        |         |    |     |      |            |            |                |             |           |          |  |  |
| angular       | 0°   | ±2°         |              |            |                            |                        |              |                |          |        |         |    |     |      |            |            |                |             |           |          |  |  |
| ASME Y14.5    |  | www.fci.com | cat. no.     |            | VERTICAL SIGNAL HDR. 8 ROW | Product - Customer Drw | sheet 2 of 5 | rev            | K        |        |         |    |     |      |            |            |                |             |           |          |  |  |

PRODUCT NUMBER  
SEE SHEET 1

A

B

C

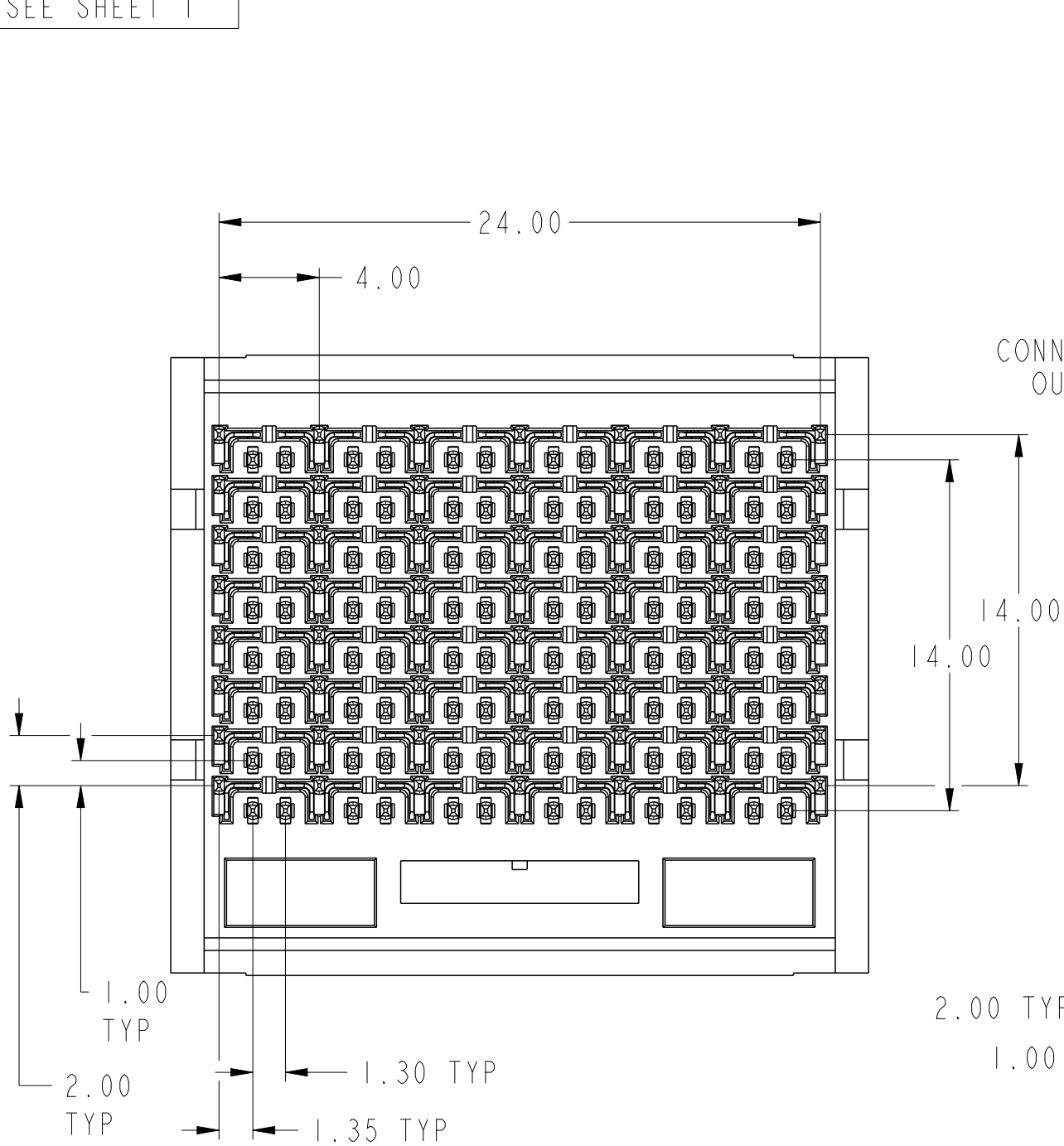
D

A

B

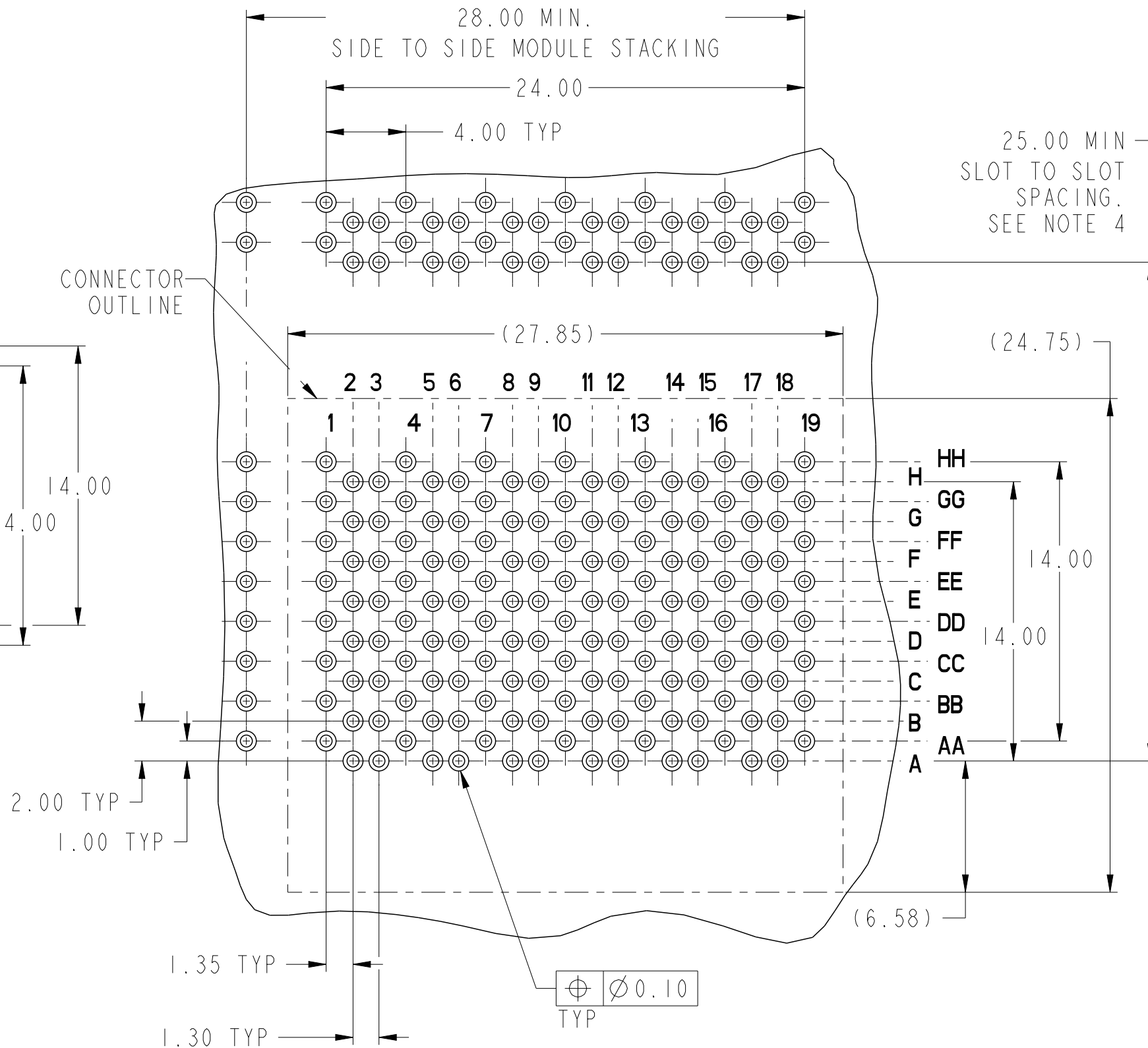
C

D



BOARD SIDE VIEW  
SCALE 4:1

CONNECTOR  
OUTLINE

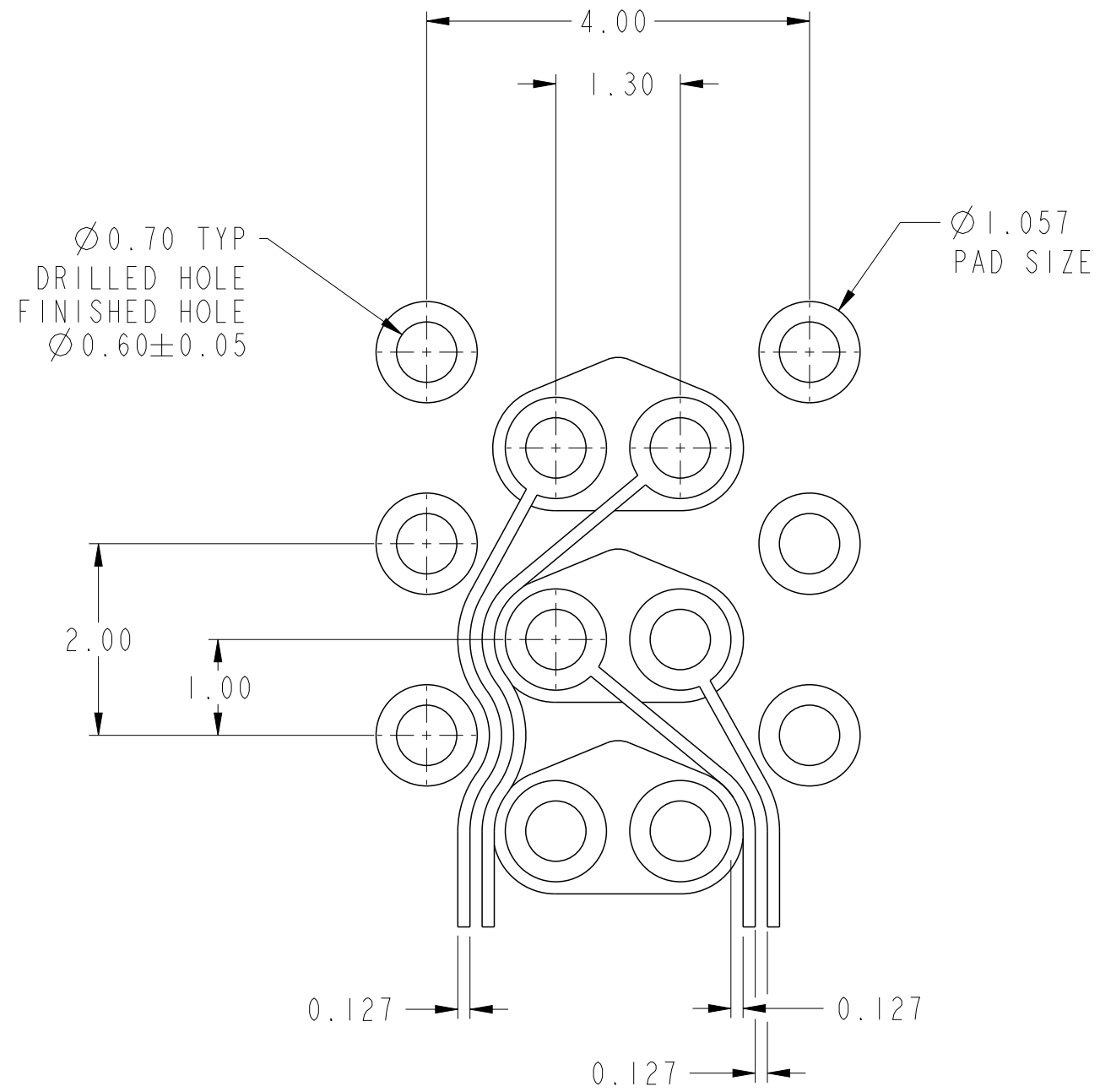


Copyright FCI.

**K** REFER SHEET 5 FOR PRESS-FIT HOLES TABLE

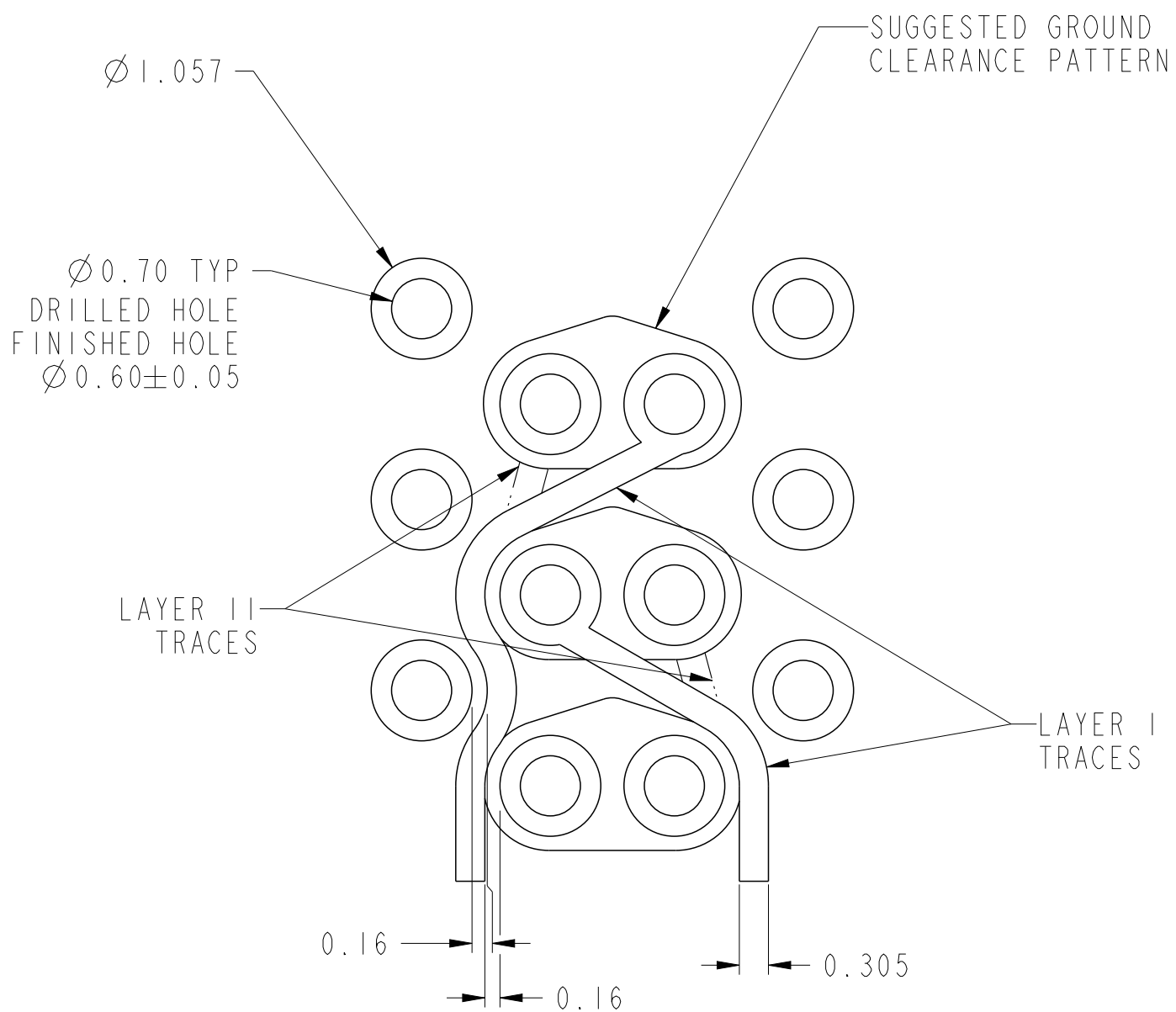
|               |   |      |             |                |            |    |   |                   |           |  |
|---------------|---|------|-------------|----------------|------------|----|---|-------------------|-----------|--|
| spec ref      | -   | dr   | wcadmin     | 1999/12/17     | projection | mm | size  | A3                | scale     | 4:1                                    |
| tolerance std | ASME Y14.5  | eng  | K Ayyappara | 2012/09/27     |            |    | ecn no  | ELX-V-013035-1    |           |  |
|               | TOLERANCES UNLESS OTHERWISE SPECIFIED   | chr  | -           | product family |            |    |   | METRAL 3000       | rel level | Released                               |
| surface       | <br>linear<br>0.X ±0.3<br>0.XX ±0.10<br>0.XXX ±0.050<br>ASME Y14.5<br>angular<br>0° ±2° | appr | R Marshall  | 2012/10/01     |            |    | VERTICAL SIGNAL HDR. 8 ROW<br>P.F. 48 POS. SPECIAL LOAD | cat. no.<br>84962 | rev<br>K  | Product - Customer Drw<br>sheet 3 of 5 |

PRODUCT NUMBER  
SEE SHEET 1



OPTION A (EDGE COUPLED)  
METRAL - DIFFERENTIAL PCB  
TRACE LAYOUT  
SCALE 15:1

- 0.127 mm [0.005 in] TRACES MAX WITH 0.127 mm [0.005 in] GAPS
- 4 TRACES (2 PAIRS) PER LAYER



OPTION B (BROADSIDE COUPLED)  
METRAL - DIFFERENTIAL  
PCB TRACE LAYOUT

SCALE 15:1 - UP TO 0.305 mm [0.012 in]  
TRACES MAX WITH 0.16 mm  
[0.006 in] GAPS

- 2 TRACES PER LAYER

|                                       |            |         |        |       |              |   |            |                        |                 |           |                |             |                 |
|---------------------------------------|------------|---------|--------|-------|--------------|---|------------|------------------------|-----------------|-----------|----------------|-------------|-----------------|
| spec ref                              | -          |         |        | dr    | wcadmin      | 1999/12/17  | projection | mm                     | size            | A3        | scale          | 1:1         |                 |
| tolerance std                         | ASME Y14.5 |         |        | eng   | K Ayyapparaj | 2012/09/27  |            |                        | ecn no          |           | ELX-V-013035-1 |             |                 |
| TOLERANCES UNLESS OTHERWISE SPECIFIED |            |         |        | chr   | -            | product family  |            |                        | METRAL 3000     | rel level |                | Released    |                 |
| surface                               |            | linear  | 0.X    | ±0.3  |              | VERTICAL SIGNAL HDR. 8 ROW<br>P.F. 48 POS. SPECIAL LOAD | cat. no.   | Product - Customer Drw | dwg no<br>84962 | rev<br>K  | sheet 4 of 5   |             |                 |
|                                       |            |         | 0.XX   | ±0.10 |              |   |            |                        |                 |           | www.fci.com    | PDS: Rev :K | STATUS:Released |
|                                       |            | 0.XXX   | ±0.050 |       |              |   |            |                        |                 |           |                |             |                 |
|                                       |            | angular | 0°     | ±2°   |              |   |            |                        |                 |           |                |             |                 |

|                                   | 1                                       | 2   | 3   | 4   |
|-----------------------------------|---|---|---|---|
| RECOMMENDED PRESS-FIT HOLES SIZES | RECOMMENDED SIZES FOR SnPb PLATED HOLES | RECOMMENDED SIZES FOR IMMERSION Au PLATED HOLES | RECOMMENDED SIZES FOR IMMERSION Ag PLATED HOLES | RECOMMENDED SIZES FOR IMMERSION Sn PLATED HOLES |
| DRILLED HOLE SIZE                 | $\varnothing 0.705 \pm 0.025$           | $\varnothing 0.75 \pm 0.025$                    | $\varnothing 0.75 \pm 0.025$                    | $\varnothing 0.75 \pm 0.025$                    |
| FINISHED HOLE SIZE                | $\varnothing 0.60 \pm 0.05$             | $\varnothing 0.63 \pm 0.05$                     | $\varnothing 0.63 \pm 0.05$                     | $\varnothing 0.63 \pm 0.05$                     |
| COPPER PLATING THICKNESS          | 0.025 MIN                               | $0.037 \pm 0.013$                               | $0.037 \pm 0.013$                               | $0.037 \pm 0.013$                               |
| NICKEL PLATING THICKNESS          |   | $0.005 \pm 0.002 \mu\text{m}$                   |   |   |
| PLATING THICKNESS                 | $0.010 \pm 0.005 \mu\text{m}$           | FLASH TO $0.002 \mu\text{m}$                    | $0.40 \pm 0.25 \mu\text{m}$                     | $1.20 \pm 0.30 \mu\text{m}$                     |



NOTES:

1. BODY MATERIAL: LIQUID CRYSTAL POLYMER 30% GF  
FLAME RETARDANT IN ACCORDANCE WITH UL 94-VO.  
PIN MATERIAL: COPPER ALLOY
2. DIM "C" REFERENCES GROUND PIN AND DIM "A" REFERENCES SIGNAL PIN.
3. PRODUCT MARKING: PART NUMBER AND BATCH ID.
4. REFERENCE METRAL 3000 APPLICATION SPEC GS-20-012 FOR MODULE APPLICATION AND REPAIR REQUIREMENTS.
5. DIMENSIONS AFTER INSERTION INTO CIRCUIT BOARD WITH FCI APPROVED TOOLING.
6. REFERENCE METRAL 3000 PRODUCT SPEC GS-12-138.
7. PRODUCTS WHERE THE PART NUMBER ENDS IN "LF" MEET EUROPEAN UNION DIRECTIVES AND OTHER COUNTRY REGULATIONS AS DESCRIBED IN GS-22-008.  
ALL PRODUCTS WILL WITHSTAND EXPOSURE TO 260° FOR 60 SECONDS IN A CONVECTION, INFRA-RED OR VAPOR PHASE REFLOW OVEN.  
FOR LEAD FREE PART NUMBERS ADD "LF" SUFFIX.  
EXAMPLE: 84962-1YYLF.
8. COMPANY LOGO LOCATED IN THIS AREA.
9. A SYMBOL WILL BE NEXT TO ANY DIMENSION, VIEW, OR NOTE WHICH HAS BEEN MODIFIED WITH THE CURRENT DRAWING REVISION.



|               |                                       |      |            |            |            |   |                        |                |              |             |   |
|---------------|---------------------------------------|------|------------|------------|------------|---|------------------------|----------------|--------------|-------------|---|
| spec ref      | -                                     | dr   | wcadmin    | 1999/12/17 | projection | mm  | size                   | A3             | scale        | 4:1         |   |
| tolerance std | ASME Y14.5                            | eng  | K Ayyappa  | 2012/09/27 |            | ← →   | ecn no                 | ELX-V-013035-1 |              |             |   |
|               | TOLERANCES UNLESS OTHERWISE SPECIFIED | chr  | -          | -          |            |   | product family         | METRAL 3000    | rel level    | Released    |   |
| surface       | ✓                                     | appr | R Marshall | 2012/10/01 |            | VERTICAL SIGNAL HDR. 8 ROW<br>P.F. 48 POS. SPECIAL LOAD | dwg no                 | 84962          |              | rev         | K |
|               | linear                                | 0.X  | ±0.3       | 0.XX       |            |   | ±0.10                  | 0.XXX          | ±0.050       | www.fci.com |   |
|               | angular                               | 0°   | ±2°        | cat. no.   |            |   | Product - Customer Drw |                | sheet 5 of 5 |             |   |



Copyright FCI.