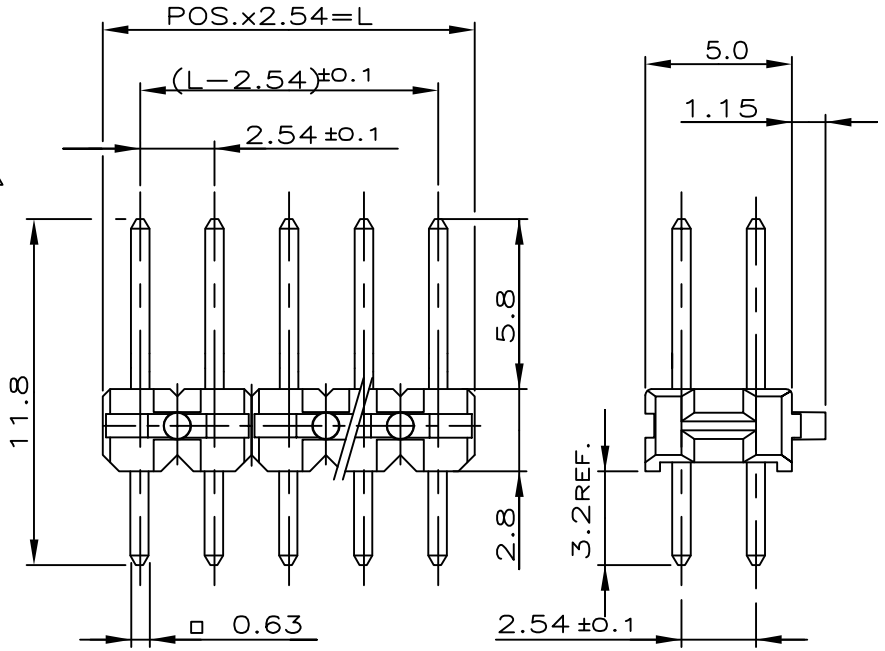


REVISIONS

P	LTR	DESCRIPTION	DATE	DWN	APVD
E		Contact pin material change from CuSn to CuZn	21SEP2017	KJK	PS

POS. PER ROW	L±0.5	PART NUMBER
-	-	-
2	5.08	<del>826 320 2</del> <sup>△</sup>
3	7.62	<del>3</del> OBSOLETE
4	10.16	<del>4</del> OBSOLETE
5	12.70	<del>5</del>
6	15.24	<del>6</del>
7	17.78	<del>7</del>
8	20.32	<del>8</del> <sup>△</sup>
9	22.86	<del>9</del>
10	25.40	1-
11	27.94	1-
12	30.48	1- <sup>△</sup>
13	33.02	1-
14	35.56	1-
15	38.10	1-
16	40.64	1-
17	43.18	1-
18	45.72	1-
19	48.26	1-
20	50.80	2- <sup>△</sup>
21	53.34	2-
22	55.88	2-
23	58.42	2-
24	60.96	2-
25	63.50	2-
26	66.04	2-
27	68.58	2-
28	71.12	2-
29	73.66	2-
30	76.20	3-
31	78.74	3-
32	81.28	3-
33	83.82	3-
34	86.36	3-
35	88.90	3-
36	91.44	3-
37	93.98	3-
38	96.52	3-
39	99.06	3-
40	101.60	4-
41	104.14	4-
42	106.68	4-
43	109.22	4-
44	111.76	4-
45	114.30	4-
46	116.84	4-
47	119.38	4-
48	121.92	4-
49	124.46	4-
50	127.00	<del>5- 826 320 0</del> <sup>△</sup>



NOTES:

- △1 MIN. 3.0µm TIN OVER 1.27µm NICKEL
- △2 OBSOLETE PARTS: OBSOLETE CIS STREAMLINING PER D.RENAUD/D.SINISI
- △3 OBSOLETE

CONTACT PIN	CuZn	<sup>△</sup> 1
PIN HOUSING	PBT	GREEN
DESCRIPTION	MATERIAL	FINISH COLOR

THIS DRAWING IS UNPUBLISHED. ALL RIGHTS RESERVED.

DIMENSIONS:	
mm	
TOLERANCES UNLESS OTHERWISE SPECIFIED:	
0 PLC	± 0.2 mm
1 PLC	± -
2 PLC	± -
3 PLC	± -
4 PLC	± -
ANGLES	± -

DWN	GÖTZEL	25.07.77
CHK	KREPP	10.08.77
APVD	-	-
PRODUCT SPEC	108-18012	
APPLICATION SPEC	-	
WEIGHT	-	
CUSTOMER DRAWING		

MATERIAL	SEE TABLE	FINISH	SEE NOTE 1
NAME: AMPMODU II PIN HEADER DUAL ROW			
SIZE	CAGE CODE	DRAWING NO	RESTRICTED TO
A4	00779	C=826320	-
SCALE	4:1	SHEET	1 OF 1
REV	E		