

Catalog #:	
Project :	
Type :	Date:
Notes:	

**LED WAFER RECESSED DOWN LIGHT**

**TL-SPL1™ SERIES**

## LED 5CCT Ultra Slim Downlight Retrofit Kit 4 & 6 inch

### DESCRIPTION

Led Wafer Recessed Downlight engineered for demanding commercial applications. Save up to 80% in energy cost. 100% Mercury & Lead Free.

### APPLICATIONS

Ideal for lighting malls, hospitals, hotels, and retail spaces. Replaces CFL & HID or Incandescent downlights for higher energy savings & aesthetics.



### QUICK SHIP:

TL-SPL1R6-9W-XXK  
TL-SPL1R6-14W-XXK



### Specification Features

#### Controls / Dimming

High quality internal driver; Triac dimming; Flicker free. Frosted Lens and Base with junction box, and Suitable for damp locations. SMD2835. Beam angle is 110°. 35000+ burning hours.

#### Warranty

5 Years Limited Warranty. See warranty documentation for more information.

#### Certification

It complies with UL certification, Energy Star Rated, and FCC Compliance.

#### Installation / Mounting

LED wafer recessed downlight retrofit is supplied with a quick connect-case and conduit to make an easy connection to an existing recessed fixture frame junction box. Beam angle is 110°. Instant start w/NO humming.

### Ordering Information

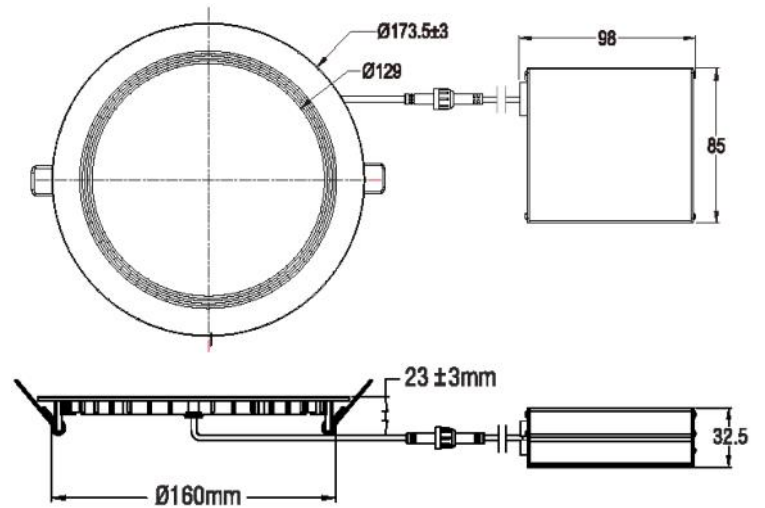
Example: TL-SPL1-6-9W-30K

TL	SPL1	6	9W	50K	[BLANK]
<b>Brand</b>	<b>Series</b>	<b>Diameter</b>	<b>Nominal Wattage</b>	<b>Color Temp</b>	<b>Diffuser Type</b>
<b>TL</b> TechnoLED	<b>SPL1</b> LED Slim Panel Light	<b>4</b> 4 Inch <b>6</b> 6 Inch	<b>4-inch</b> <b>7W</b> 9 Watt <b>9W</b> 14 Watt  <b>6-inch</b> <b>9W</b> 9 Watt <b>14W</b> 14 Watt	80+ CRI minimum, white tuning, selectable 5CCT 2700K-5000K  <b>27K</b> <b>30K</b> <b>35K</b> <b>40K</b> <b>50K</b> } 5CCT Switch	<b>[Blank]</b> Frosted  <b>[Blank]</b> 120V

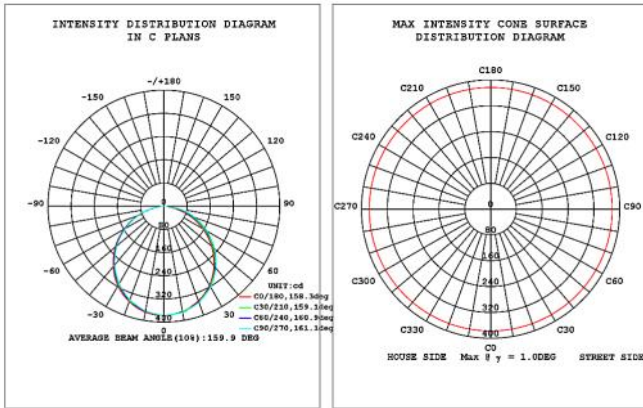
Lighting Parameters

Input Voltage	120V
CCT	2700K/3000K/3500K/4000K/5000K
CRI	>80
Lumens	700lm/11,00lm
PF	>0.9
Frequency	60HZ
Current	90mA
Angle	110°
Product size	6 inch
Certification	UL, ES

Part Number	Size	Watt	Lumens
TL-SPL1R4-9W-XXK	4in	9W	7,00 lm
TL-SPL1R6-14W-XXK	6in	14W	11,00 lm



Part Number	L	W	H
TL-SPL1R4-9W-XXK	4in	2.3in	5in
TL-SPL1R6-14W-XXK	6.9in	2.3in	7in



APPLICATION NOTES

1. Operating temperature range between -4°F and +104°F (-20°C and +40°C).
2. For indoor/outdoor use, including dry, damp and wet location environments.
3. Designed to install in standard 4" and 6" housing. This device is not intended for use with Emergency Lighting.
4. Compatible Triac dimming models:
5. Warranty: This product is free from defect due to workmanship for a period of three (3) years. If it fails to do so please contact us with proof of purchase for a return authorization.

INSTALLATION INSTRUCTIONS

1. Connect with the driver

2. Squeeze the snap spring

3. Push the light into the ceiling

INSTALLATION INSTRUCTION

- STEP 1: Shut off power before work.
- STEP 2: Remove mounting bracket and plate from inside and existing recessed housing.
- STEP 3: Connect with Driver
- STEP 4: Place the driver in the cutout first
- STEP 5: Squeeze the snap springs together and install into cutout.
- STEP 6: Push the light into ceiling Carefully routing wires / Driver into upward to ceiling

