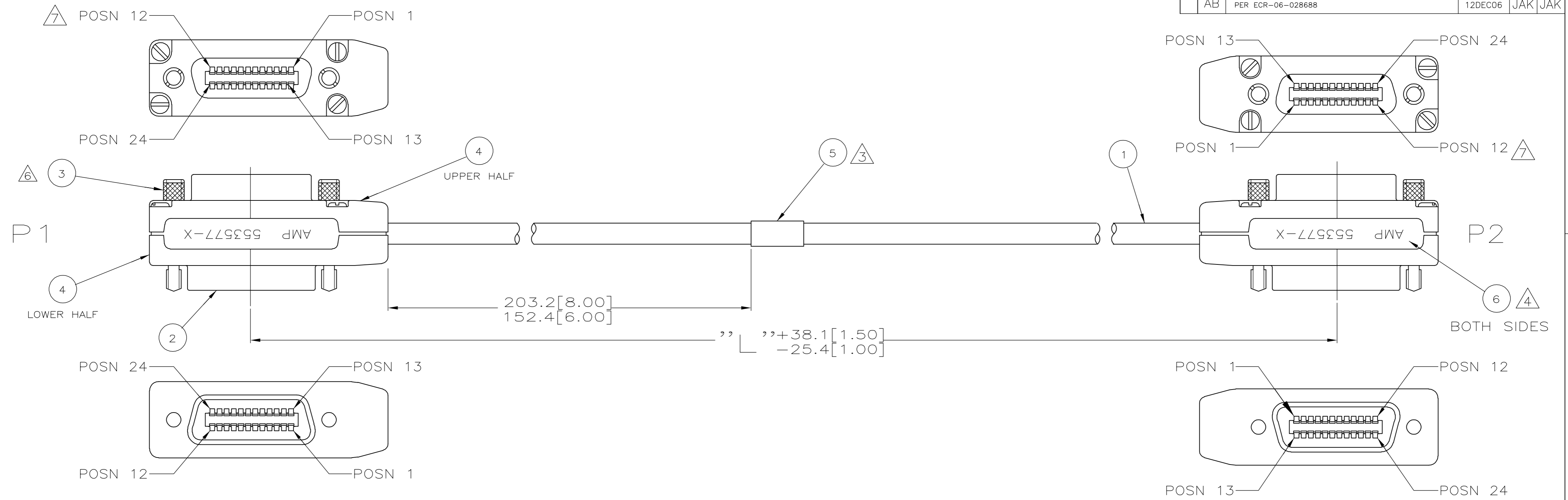


THIS DRAWING IS UNPUBLISHED. RELEASED FOR PUBLICATION  
 © COPYRIGHT BY TYCO ELECTRONICS CORPORATION. ALL RIGHTS RESERVED.

LOC	DIST	REVISIONS					
CF	39	P	LTR	DESCRIPTION	DATE	DWN	APVD
		AB		PER ECR-06-028688	12DEC06	JAK	JAK



WIRING SCHEMATIC

P1 POSN	COLOR	P2 POSN
1	WHT/BLK/BRN	1
2	WHT/BLK/RED	2
3	WHT/BLK/ORN	3
4	WHT/BLK/YEL	4
5	BLACK	5
6	BROWN	6
7	RED	7
8	ORANGE	8
9	YELLOW	9
10	GREEN	10
11	BLUE	11
12	OUTER DRAIN	12
13	WHT/BLK/GRN	13
14	WHT/BLK/BLU	14
15	WHT / GRY	15
16	WHITE	16
17	VIOLET	17
18	WHT / BRN	18
19	WHT / RED	19
20	WHT / ORN	20
21	WHT / YEL	21
22	WHT / GRN	22
23	WHT / BLU	23
24	WHT / BLK WHT / VIO INNER DRAIN	24

PART NUMBER	"L"	LABEL
553577-1	500[19.68]	AMP 553577-1 OBSOLETE
553577-2	1000[39.37]	AMP 553577-2 OBSOLETE
553577-3	2000[78.4]	AMP 553577-3 OBSOLETE
553577-4	3000[118.11]	AMP 553577-4 OBSOLETE
553577-5	4000[157.48]	AMP 553577-5
553577-6	6000[236.22]	AMP 553577-6 OBSOLETE
553577-7	8000[314.96]	AMP 553577-7 OBSOLETE
1-553577-5	1000[39.37]	N/A OBSOLETE
1-553577-6	2000[78.4]	N/A OBSOLETE
1-553577-7	260[10.30]	AMP 1-553577-7 OBSOLETE

- OVERALL ASSEMBLY SHALL MEET AMP SPEC 108-6040.
  - 100% ELECTRICAL CONTINUITY TEST REQ'D.
- 3 LABEL TO BE LOCATED IN AREA SHOWN AND READ AS FOLLOWS:
- YYWW
- 4 FOR LABEL (ITEM 6) INFORMATION, SEE TABLE.
- 5 WHT/BLK, WHT/VIO & INNER DRAIN SHALL BE TERMINATED TO POSITION 24, BOTH ENDS OF ASSY.
- 6 JACKSCREW (ITEM 3) SHALL BE INSERTED FROM RECEPTACLE SIDE OF EMI SHIELD (ITEM 4).
- 7 PIN 12 OF EACH CONNECTOR IS ALSO CONNECTED TO THE BACKSHELL VIA THE BRAID TERMINATOR.

DESCRIPTION	ITEM NO.
LABEL	6
LABEL, WRAP AROUND	5
EMI SHIELD KIT	4
JACKSCREW, BACK-TO-BACK	3
HOUSING ASSY, BACK TO BACK	2
CABLE, CROSSTALK REDUCED	1

THIS DRAWING IS A CONTROLLED DOCUMENT.		DWN D.EISENTRAUT 12-30-97	Tyco Electronics Corporation Harrisburg, PA 17105-3608	
DIMENSIONS: INCHES		CHK F.McCORKEL 12-30-97		
TOLERANCES UNLESS OTHERWISE SPECIFIED:		APVD F.McCORKEL 12-30-97	NAME	
0 PLC ± -		PRODUCT SPEC	CABLE ASSY, 26 POS SLIMLINE PLUG-V.35 RECPT	
1 PLC ± -		APPLICATION SPEC	-	
2 PLC ± -		WEIGHT	-	
3 PLC ± -		SCALE	A2 00779 C=553577	
4 PLC ± -		CUSTOMER DRAWING	RESTRICTED TO	
ANGLES ± -		SCALE NTS	SHEET 1 of 1	
FINISH		REV	AB	

553577-3577