

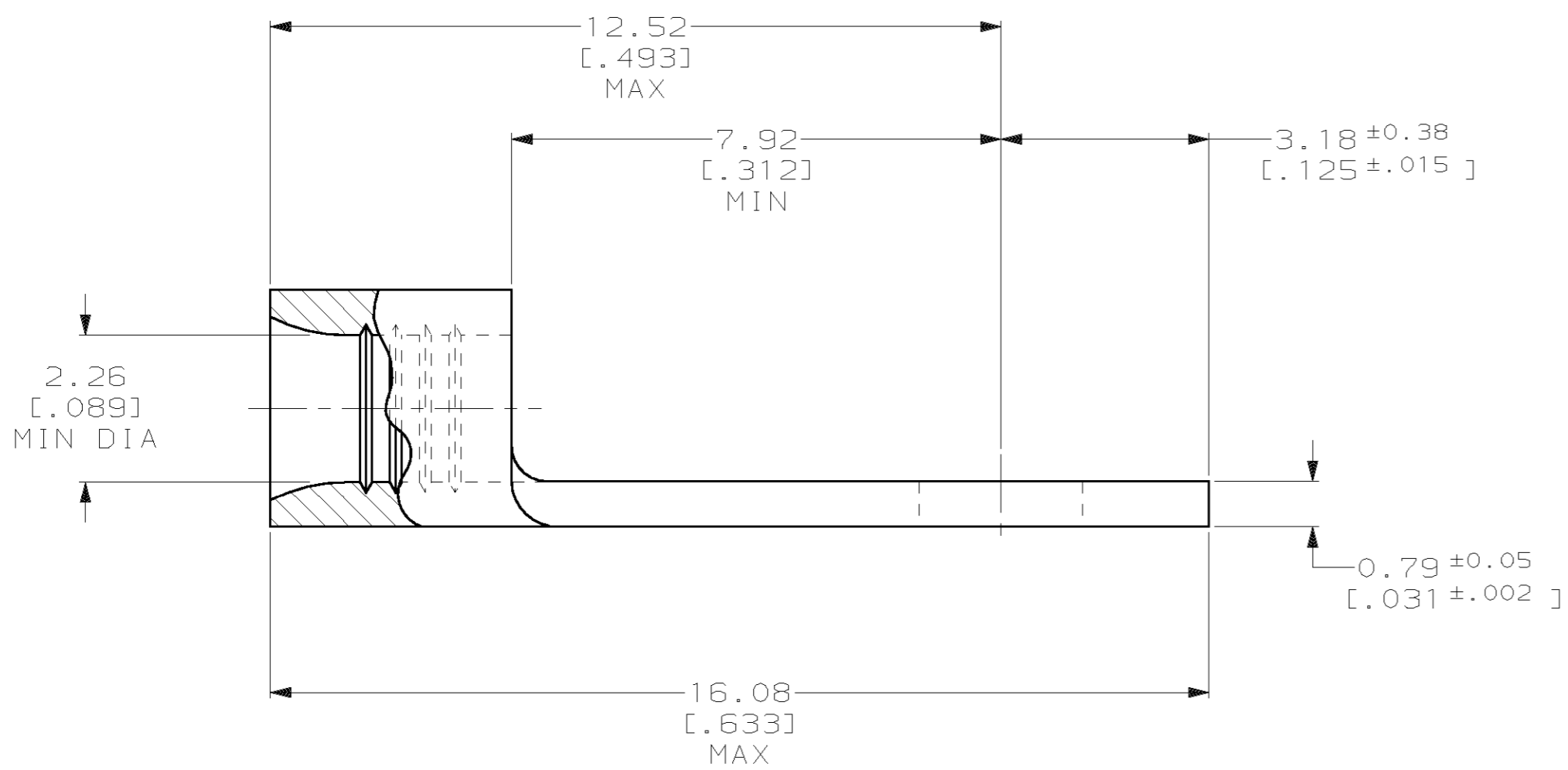
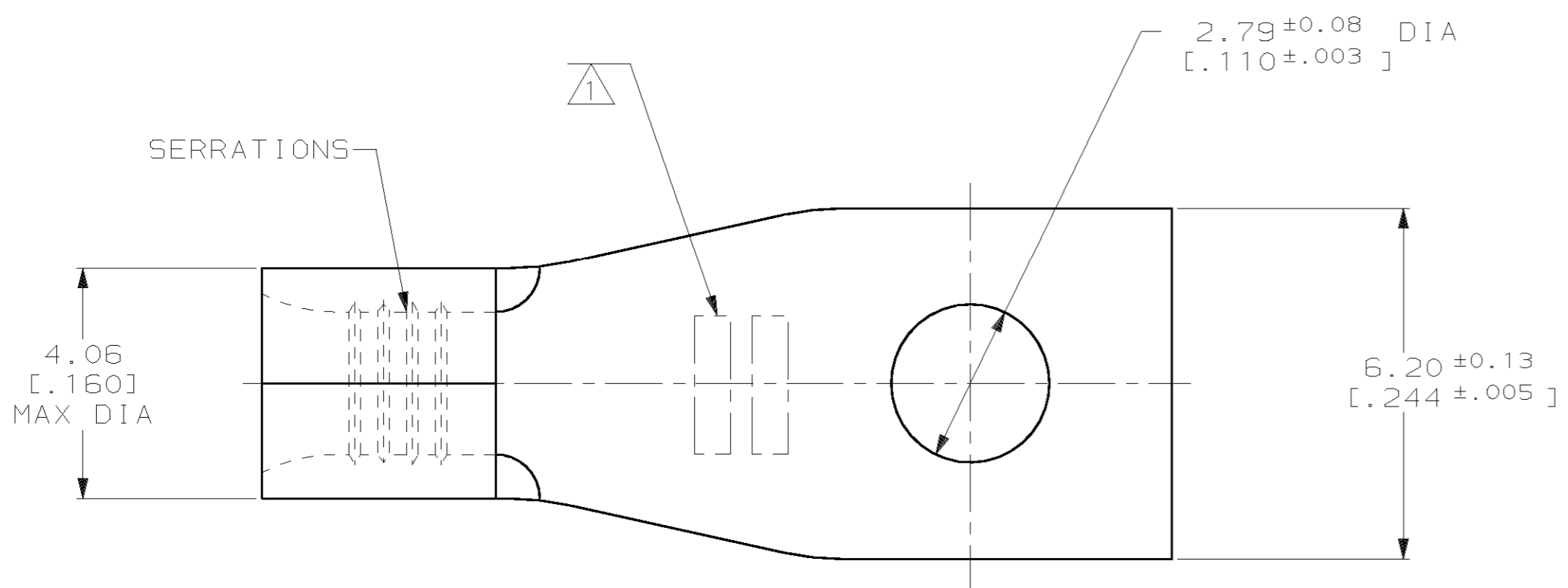
THIS DRAWING IS UNPUBLISHED. RELEASED FOR PUBLICATION .19
 © COPYRIGHT 19 BY AMP INCORPORATED. ALL INTERNATIONAL RIGHTS RESERVED.

| REVISIONS | | | | | | | | | |
|-----------|------|---|---|------|-----|---|---------|---------------------|--|
| LOC | DIST | P | F | ZONE | LTR | DESCRIPTION | DATE | APPD | |
| G | 14 | | | | D | REV & REDWN PER 0720-0055-94 & 0720-0124-94 | 27JUL94 | ✓ ^{CS} DAP | |

METRIC
 DIMENSIONS LISTED IN mm [INCHES]

| | |
|-------------------------------|----------------------------------|
| AMP WIRE RANGE | UL E13288 Listed |
| 16-14 AWG STRANDED | 16-14 AWG STRANDED |
| CS LR7189 Certified | MILITARY P/N AND CLASS |
| NOT CERTIFIED | NOT APPLICABLE |

⚠ STAMP AMP 16-14* APPROX AS SHOWN



| | | |
|------|---------------|-----------|
| 5000 | ON TAPE, REEL | 2-35129-1 |
| - | LOOSE PIECE | 35129 |
| QTY | PACKAGE TYPE | PART NO |

AMP INCORPORATED
CUSTOMER SERVICE SYSTEMS

MAX RECOMMENDED OPERATING TEMPERATURE:
 170°C MAX

DO NOT SCALE PRINT. UNLESS SPECIFIED
 DIMENSIONS IN mm [INCHES]
 TOLERANCES ON:
 2 PLC DEC ± -
 3 PLC DEC ± -
 ANGLES ± -

DR 05JUL94
 DK SCHRUM
 CHK 08AUG94
 DA PATTERSON
 APPD 08AUG94
 CH KULYNYCH
 APPD 08AUG94
 JL MECKLEY

AMP AMP Incorporated
 Harrisburg, PA 17105-3608

FOR ADDITIONAL PRODUCT INFORMATION OR COPIES OF DRAWINGS AND TECHNICAL DOCUMENTS

PRODUCT INFORMATION CENTER
 1-800-522-6752

VOLTAGE RATING:
 NOT APPLICABLE

MATERIAL
 COPPER PER ASTM B-152 ANNEALED

PRODUCT SPEC
 -

NAME
TERMINAL, RECTANGULAR TONGUE, BUDGET

FOR APPLICATION TOOLING INFORMATION

TOOLING ASSISTANCE CENTER
 1-800-722-1111

WIRE CROSS SECTIONAL AREA RANGE:
 1.04-2.62mm² [2,050-5,180] CIR MILS STRANDED

FINISH
 TIN PLATE
 0.00254 [.000100] MIN THK PER MIL-T-10727

APPLICATION SPEC
 -

SIZE
 C 00779 C=35129

FOR ORDER ENTRY

1-800-526-5142

THIS DRAWING IS A CONTROLLED DOCUMENT FOR AMP INCORPORATED. IT IS SUBJECT TO CHANGE AND THE CONTROLLING ENGINEERING ORGANIZATION SHOULD BE CONTACTED FOR THE LATEST REVISION.

WEIGHT
 -

SCALE 10:1

SHEET 1 OF 1