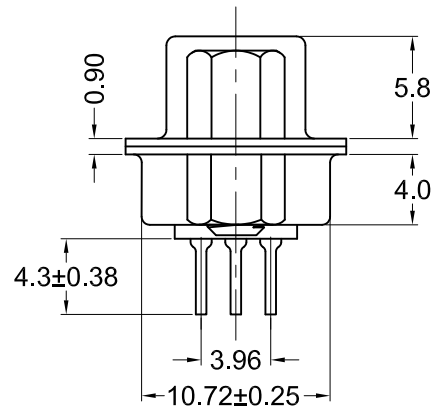
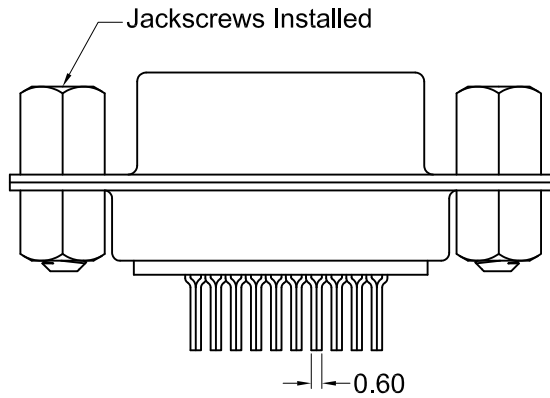


Recommended PCB Layout
(Top View)



Material and Finish

- Shell: Steel, nickel plated
- Insulator: PBT thermoplastic with glass-fiber reinforcement, UL94V-0 rated, Color: Black
- Contact Material: Socket - Brass
- Contact Plating Options:
 - Standard: gold flash on mating end, tin on termination end, nickel underplate on entire contact
 - 15 Option: 15u" gold on mating end, tin on termination end, nickel underplate on entire contact
 - 30 Option: 30u" gold on mating end, tin on termination end, nickel underplate on entire contact

Electrical Specifications

- Rated Current: 1.5A
- Rated Voltage: 30Vac
- Insulation Resistance: more than 1000 megohms at 500V DC
- Contact Resistance: 13 milliohms max.
- Dielectric Withstanding Voltage: 1000V for 1 minute
- Operating Temperature: -55°C to +75°C

Part Number	Contact Area Plating Finish
K86X-ED-15S-KJ	Gold Flash (standard)
K86X-ED-15S-KJ15	15u" Gold (15 option)
K86X-ED-15S-KJ30	30u" Gold (30 option)

Tolerances
X.X ± 0.25
X.XX ± 0.15
Unless Stated Otherwise



REV.	DATE	DESCRIPTION	REV. BY	CHK. BY	DRAWN BY	DATE
A1	03/30/09	New Drawing	S. Vien	H. MA	S. Vien	02/23/09
A2	10/9/14	ECO#14-028	H. MA	P. DalCanto		
A3	12/31/17	ECO #17-033	J. Elbanna	C. Furumasu		
					UNITS	
					mm	

K86X-ED-15S-KJ

D-Sub, HD, Vertical, RoHS Compliant

15 Pin Female, JS, Threaded Bushings

