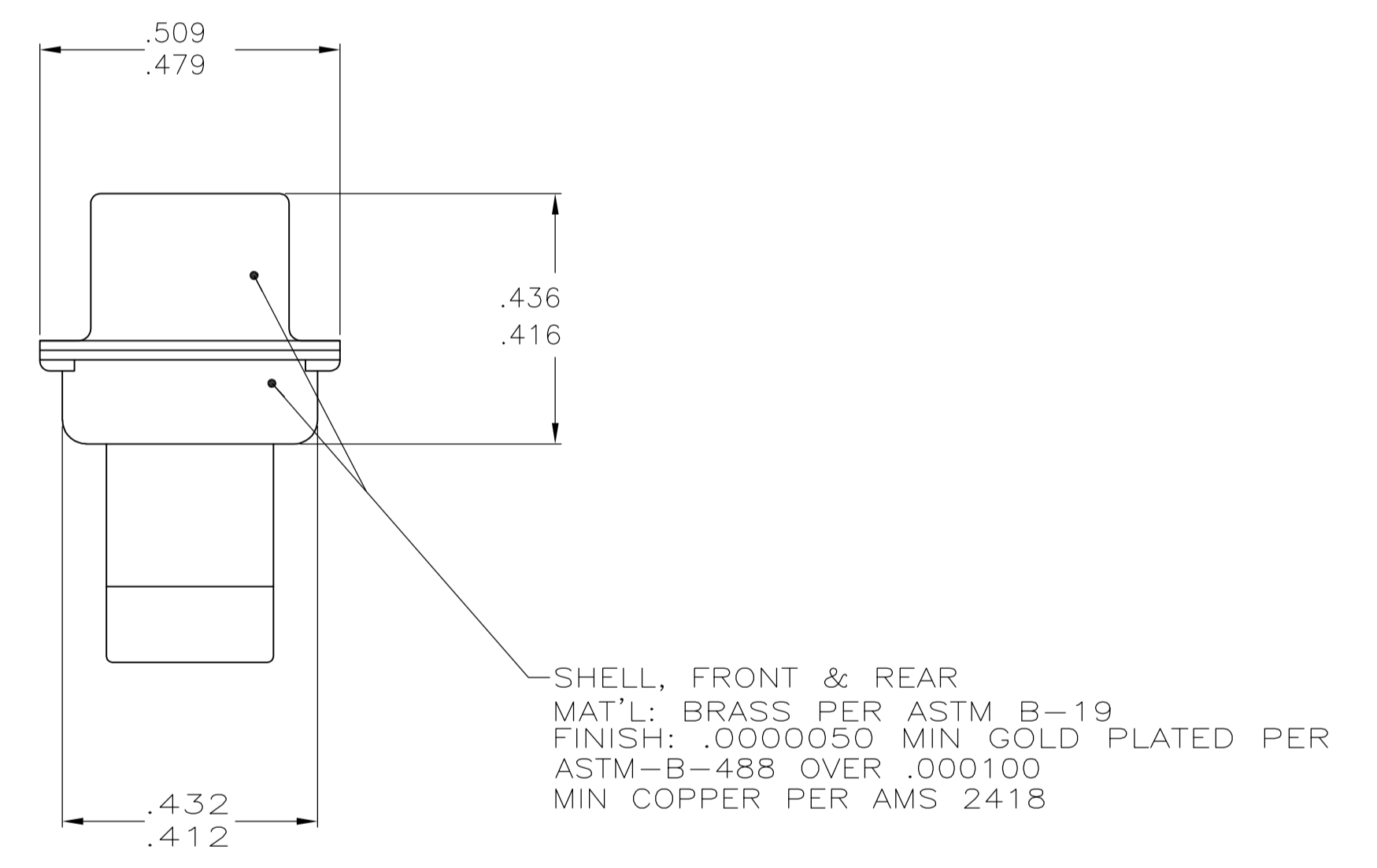
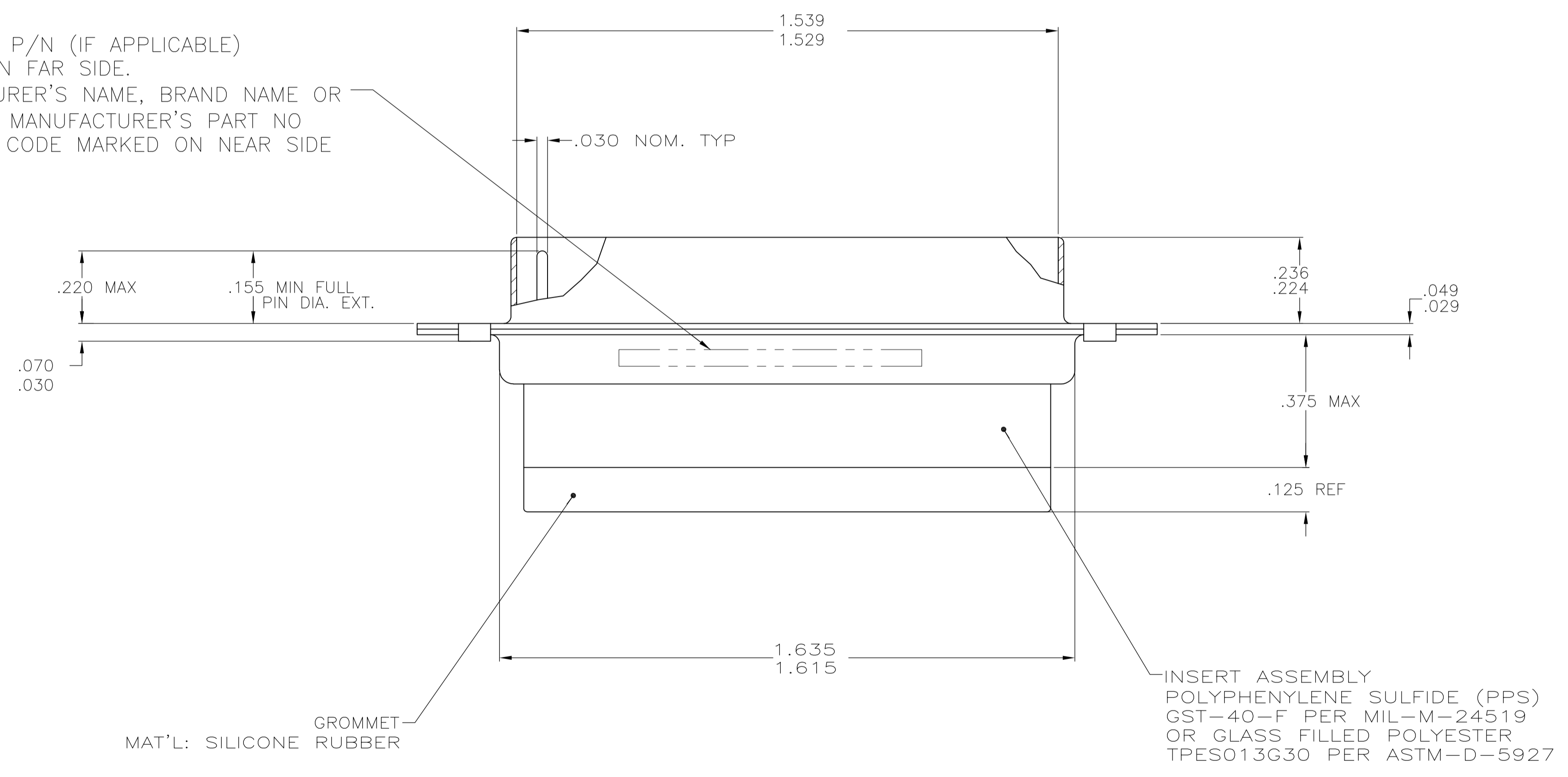


- THIS PLUG WILL MATE WITH ANY SIZE 3, 44 POSN. RCPT. IN AMPLIMITE SERIES.
 - OVERALL DIMENSIONS DO NOT INCLUDE RAISED CAVITY IDENTIFICATION.
 - BE-CU RETENTION CLIPS ARE INCLUDED AND INSTALLED WITH TINES POINTING TOWARDS MATING FACE.
 - CONNECTOR SUPPLIED WITHOUT CONTACTS; SHOWN FOR ILLUSTRATION ONLY.
 - MARKING FAR SIDE REFERS TO WIDE SIDE OF KEYSTONE. NEAR SIDE REFERS TO NARROW SIDE OF KEYSTONE.
- ⚠ 100% INSPECTION REQUIRED PER BOEING 1B01:
 A. VISUAL
 B. DWV
 C. IR
- ⚠ CUSTOMER REQUIRES SINGLE LOT DATE CODE.
 ⚠ SPECIAL REQUIREMENTS:
 A. TEST TWO CONNECTORS PER LOT FOR COMPLIANCE TO GROMMET PEEL STRENGTH REQUIREMENTS.
 B. TEST ALL CIRCUIT CAVITIES FOR MISALIGNMENT OR EXCESSIVE ADHESIVE.

CUSTOMER P/N (IF APPLICABLE) MARKED ON FAR SIDE.
 MANUFACTURER'S NAME, BRAND NAME OR LOGO AND MANUFACTURER'S PART NO AND DATE CODE MARKED ON NEAR SIDE



⚠ 6 - ⚠ 7	1B01-033PHW	1-211675-1
-	-	211675-4
⚠ 7 - ⚠ 8	2A065-015V	211675-2
⚠ 6	1B01-033	211675-1
REMARKS	CUSTOMER PART NO.	PART NO.

THIS DRAWING IS A CONTROLLED DOCUMENT.

DIMENSIONS: INCHES	TOLERANCES UNLESS OTHERWISE SPECIFIED:	DIN J. KAISER 3-11-04	APVD L. OH 3-25-04	NAME
0. PLC ± -	1. PLC ± -	2. PLC ± -	3. PLC ± .005 [0.13]	4. PLC ± -
ANGLES ± -				
MATERIAL SEE CALLOUTS	FINISH SEE CALLOUTS	WEIGHT	SIZE A1	CAGE CODE 00779
CUSTOMER DRAWING		SCALE 4:1	SHEET 1 OF 1	REV K

STE TE Connectivity
 PLUG ASSY, AMPLIMITE, 44 POSN., SIZE 3, SERIES 90, NON-MAGNETIC, SPECIAL WITH GROMMET