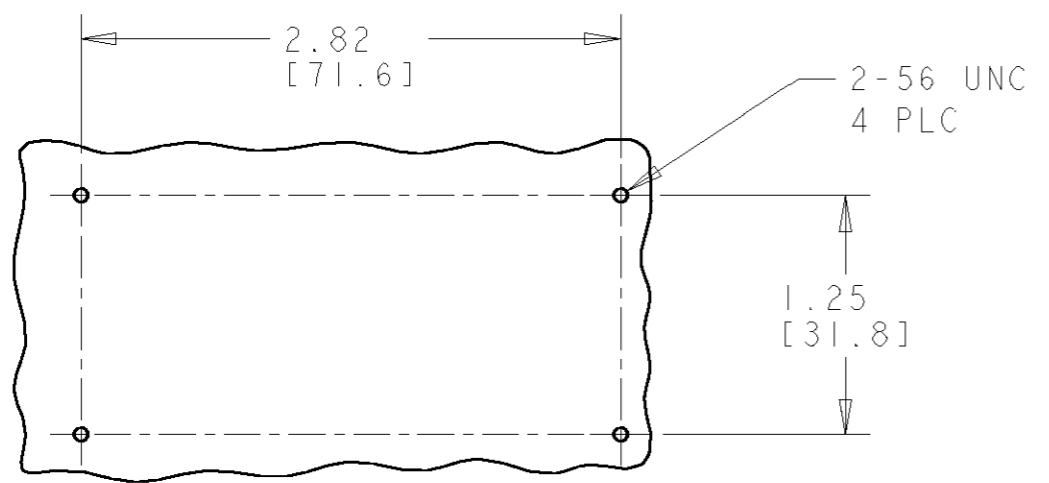
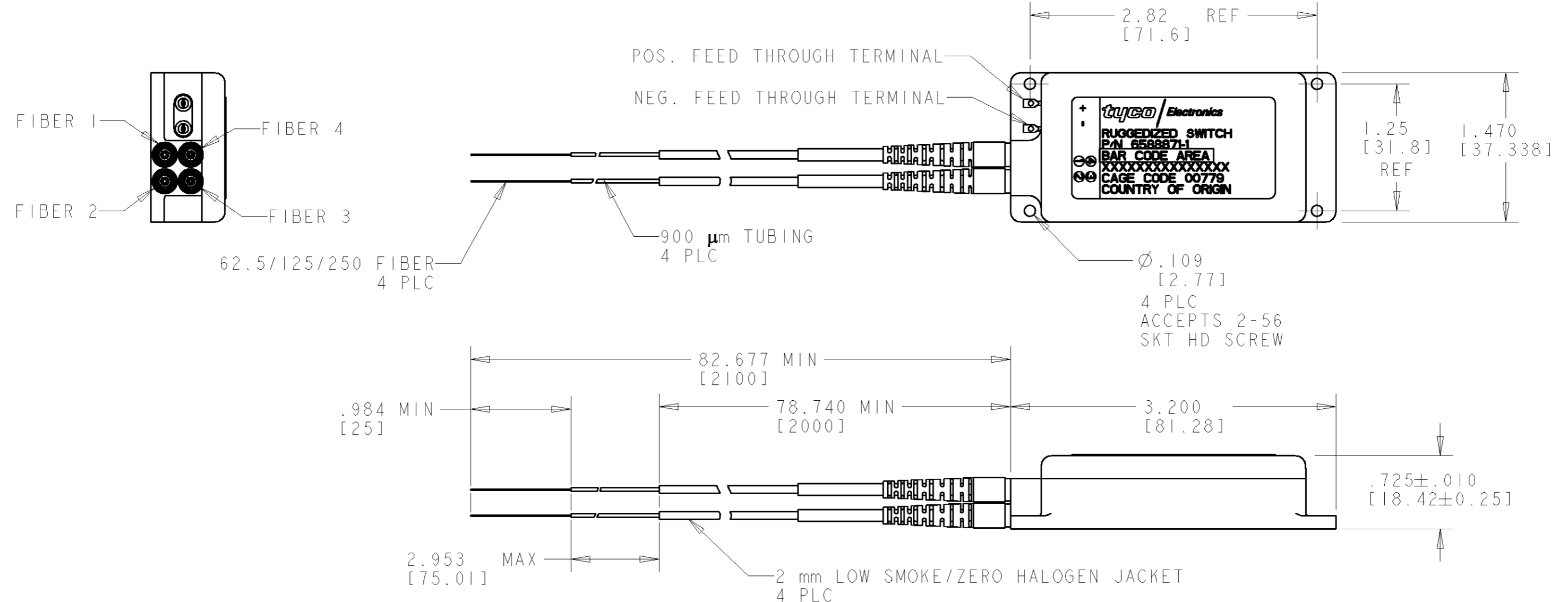


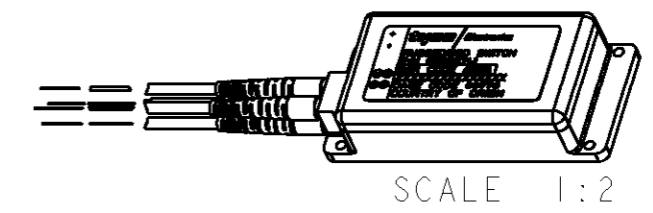
THIS DRAWING IS UNPUBLISHED. RELEASED FOR PUBLICATION 20
 © COPYRIGHT 20 BY TYCO ELECTRONICS CORPORATION. ALL RIGHTS RESERVED.

LOC	DIST	REVISIONS			
P	LTR	DESCRIPTION	DATE	DWN	APVD
EA	17				
		NEW PRODUCT RELEASE	09MAR06	SM	RP

1. PIGTAIL NOT TO EXCEED A MINIMAL BEND RADIUS OF 30mm.
2. FOR DESIGN OBJECTIVES SEE 108-2128 SPECIFICATION.
3. THIS PRODUCT HAS NOT COMPLETED VALIDATION TESTING.



PRELIMINARY



6588871-1
PART NUMBER

<small>THIS DRAWING IS A CONTROLLED DOCUMENT FOR TYCO ELECTRONICS CORPORATION. IT IS SUBJECT TO CHANGE AND THE CONTROLLING ENGINEERING ORGANIZATION SHOULD BE CONTACTED FOR THE LATEST REVISION.</small>		DWN S. MONGOLD 09MAR06 CHK R. PAUL 09MAR06 APVD F. ABENDSCHEIN 09MAR06	tyco Electronics Tyco Electronics Harrisburg, PA 17105-3608
DIMENSIONS: INCHES [mm]	TOLERANCES UNLESS OTHERWISE SPECIFIED: 0 PLC ± 1 PLC ±0.1 2 PLC ±0.01 3 PLC ±0.005 4 PLC ± ANGLES ±	PRODUCT SPEC - APPLICATION SPEC - WEIGHT -	NAME REFRACTIVE PLATE SWITCH NON-LATCHING
MATERIAL -	FINISH -	CUSTOMER DRAWING	SIZE A3 CAGE CODE 00779 DRAWING NO C-6588871 RESTRICTED TO -
		SCALE	SHEET OF REV