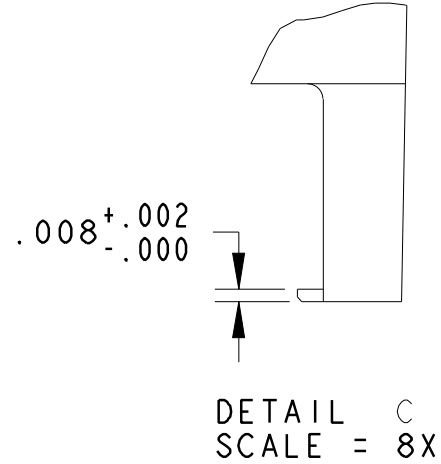
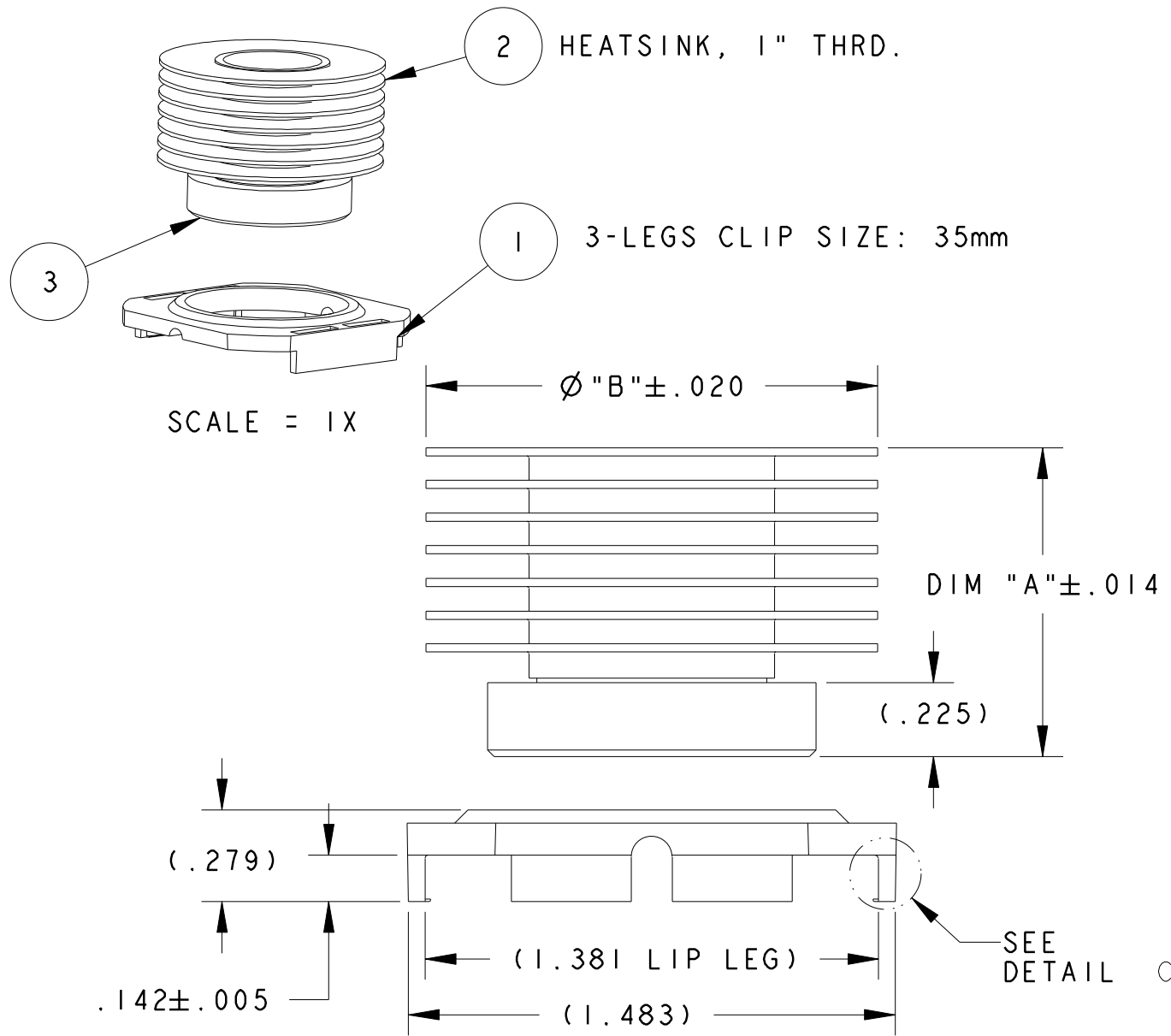


# CUSTOMER DRAWING

SPECIFICATIONS ARE SUBJECT TO CHANGE WITHOUT NOTICE



1. MATERIAL :

HEAT SINK: ALUMINUM  
CLIP: BLACK PEI (UL94-V0)

2. BEFORE THE HEATSINK APPLICATION, THE USER SHOULD IDENTIFY THE SPECIFICATION OF MAXIMUM LOAD ON THE BGA PACKAGE.

SCREW DRIVER SLOT (.070 WIDE X .100 DEEP) PROVIDED IN THE CENTER PORTION OF THE HEAT SINK. FOR ACCURATE TORQUE SETTING, SCREW DRIVER BIT MUST BE ALIGNED TO THE CENTER LINE OF THE HEAT SINK.

HEATSINK TORQUE SPECIFICATIONS CONVERTED TO FORCE. BARE DIE PACKAGE:

2.0 POUND-FORCE INCH TORQUE = 8.1 POUND-FORCE  
(0.23 NEWTON METER TORQUE = 36.03 NEWTON)

2.5 POUND-FORCE INCH TORQUE = 10.1 POUND-FORCE  
(0.28 NEWTON METER TORQUE = 44.93 NEWTON)

FULL SIZE LID PACKAGE:

2.0 POUND-FORCE INCH TORQUE = 6.9 POUND-FORCE  
(0.23 NEWTON METER TORQUE = 30.69 NEWTON)

2.5 POUND-FORCE INCH TORQUE = 8.7 POUND-FORCE  
(0.28 NEWTON METER TORQUE = 38.70 NEWTON)

3. REMOVE CLIP WITH REMOVAL TOOL P/N: 1542616-1

4. RoHS COMPLIANT AND CERTIFIED.

200 LFM	400 LFM	600 LFM				
3.20	2.10	1.75	2-1963559-7	Ø2.000" HS, 1" THRD, 7 FINS	2.000	.940
3.64	2.37	1.92	2-1963559-5	Ø2.000" HS, 1" THRD, 5 FINS	2.000	.740
3.97	2.57	2.05	2-1963559-4	Ø2.000" HS, 1" THRD, 4 FINS	2.000	.640
4.37	2.88	2.30	2-1963559-3	Ø2.000" HS, 1" THRD, 3 FINS	2.000	.540
4.77	3.21	2.54	2-1963559-2	Ø2.000" HS, 1" THRD, 2 FINS	2.000	.440
4.00	2.63	2.02	1-1963559-7	Ø1.375" HS, 1" THRD, 7 FINS	1.375	.940
4.55	2.96	2.29	1-1963559-5	Ø1.375" HS, 1" THRD, 5 FINS	1.375	.740
4.96	3.20	2.50	1-1963559-4	Ø1.375" HS, 1" THRD, 4 FINS	1.375	.640
5.45	3.61	2.81	1-1963559-3	Ø1.375" HS, 1" THRD, 3 FINS	1.375	.540
5.95	4.02	3.13	1-1963559-2	Ø1.375" HS, 1" THRD, 2 FINS	1.375	.440
Rca (°C/WATT)			ASSEMBLY HS PART NO.	DESCRIPTION	Ø"B"	DIM "A"

THERMAL PERFORMANCE

TABLE 2

3	INTERFACE	1
2	HEATSINK, 1" THRD.	1
1	MOUNTING CLIP	1
ITEM NO.	DESCRIPTION	QTY

TABLE 1 (BOM)

REV.	DESCRIPTION	DATE
A	RELEASE	11/21/04
	ER.N #:	112104
	E.TAO	5-4-07
	APP'D:	V.K 5-4-07
AI	RELEASED	07-01-07
	ECR-	07-012339
	ETAO	5-24-07
	APP'D:	V.K 5-24-07
B	RELEASED	07-02-07
	ECO-	07-023087
	DA	10-1-07
	APP'D:	BP 10-18-07
BI	RELEASED	07-03-07
	ECR-	07-030181
	ETAO	12-14-07
	APP'D:	B.P 12-17-07

DO NOT SCALE

**Tyco Electronics** North Attleboro, Massachusetts 02760

UNLESS OTHERWISE SPECIFIED TOLERANCES ARE:	DRAWN BY: E.TAO	DATE: 5-4-07	MATERIAL: N/A
.XX ±	ENGINEER: V. KHEIL	DATE: 5-4-07	FINISH: N/A
.XXX ±	FILENAME: C-1963559	PROJECT: PRO-E	
.XXXX ±			
ANGLES ± °			

CONFIDENTIAL PROPERTY OF TYCO ELECTRONICS. NOT TO BE DISCLOSED TO OTHERS. REPRODUCED OR USED FOR ANY PURPOSES EXCEPT AS AUTHORIZED IN WRITING BY AN AUTHORIZED OFFICIAL OF TYCO ELECTRONICS. MUST BE RETURNED TO TYCO ELECTRONICS ON DEMAND, ON COMPLETION OF ORDER OR OTHER PURPOSES FOR WHICH LENT.

DIMENSIONS ARE IN: INCHES  
SCALE: 2:1  
SIZE: B  
THIRD ANGLE PROJECTION

TITLE: ASSEMBLY HEATSINK WITH 3 LEGS, 35mm CLIP

TE PART NO.: SEE TABLE 2  
DWG. NO.: C-1963559  
SHEET 1 of 1  
REV. BI