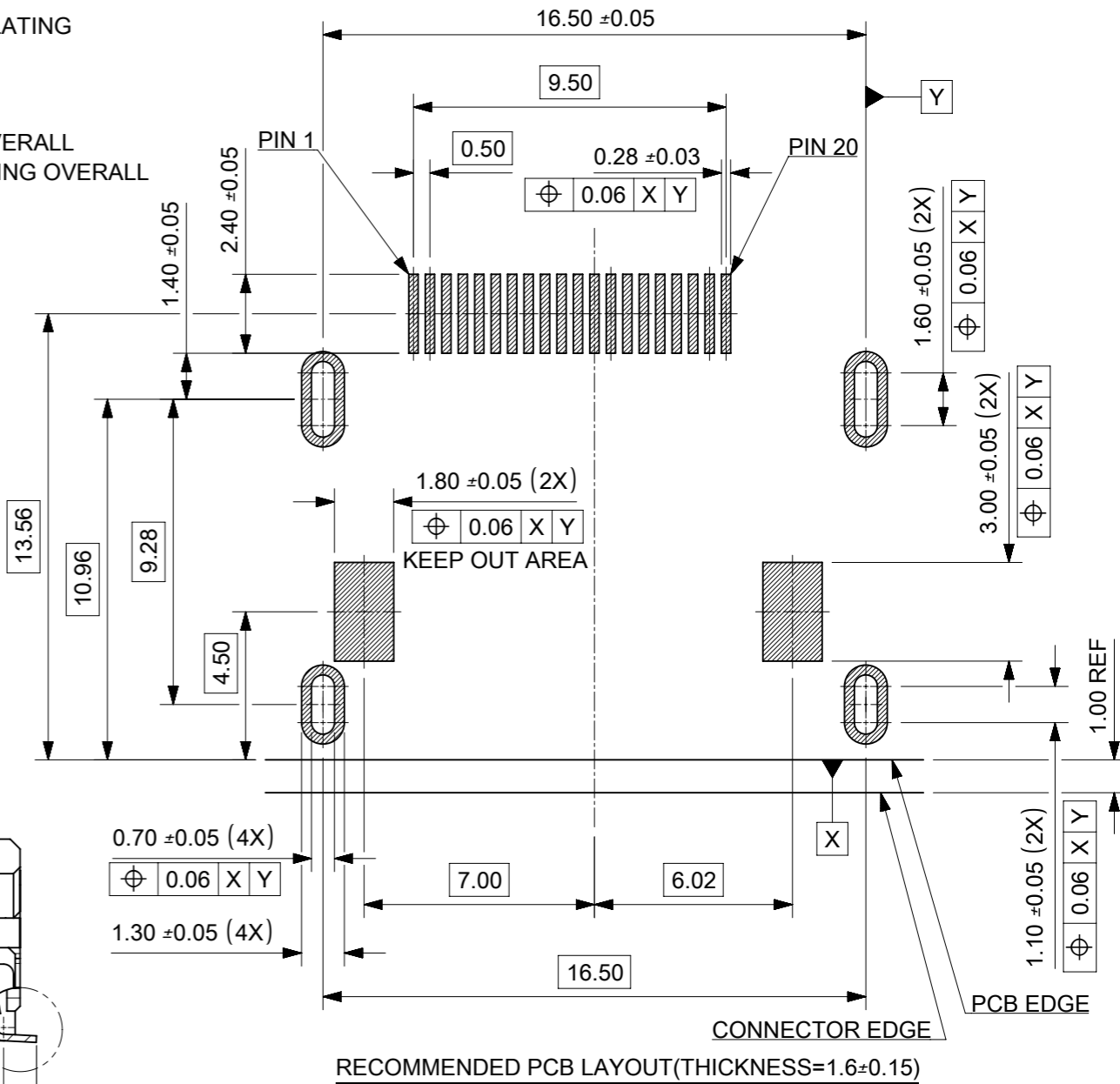
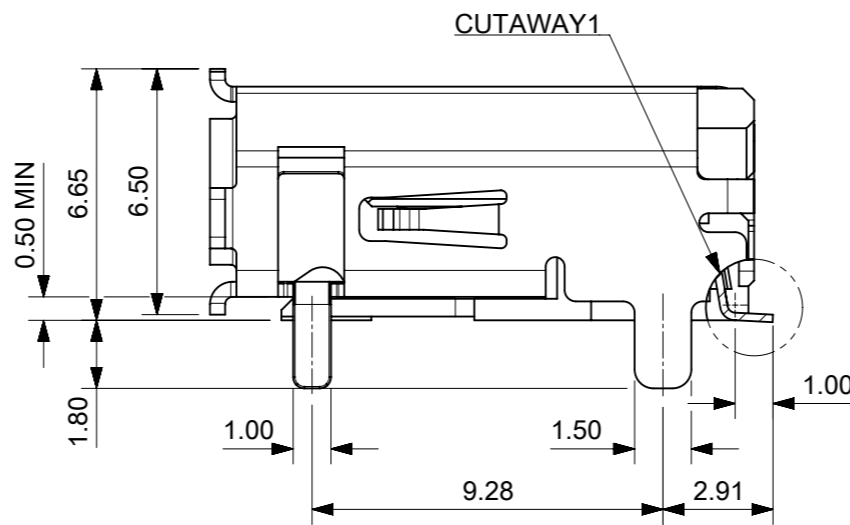
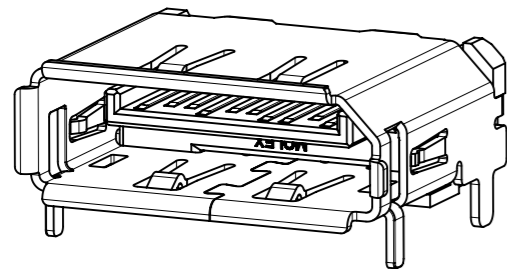
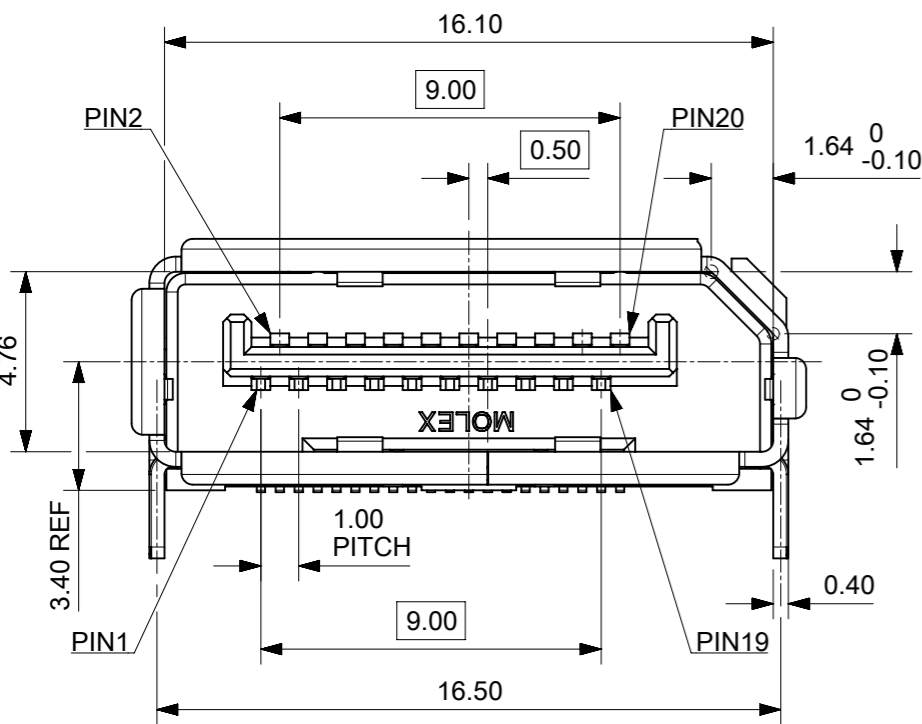
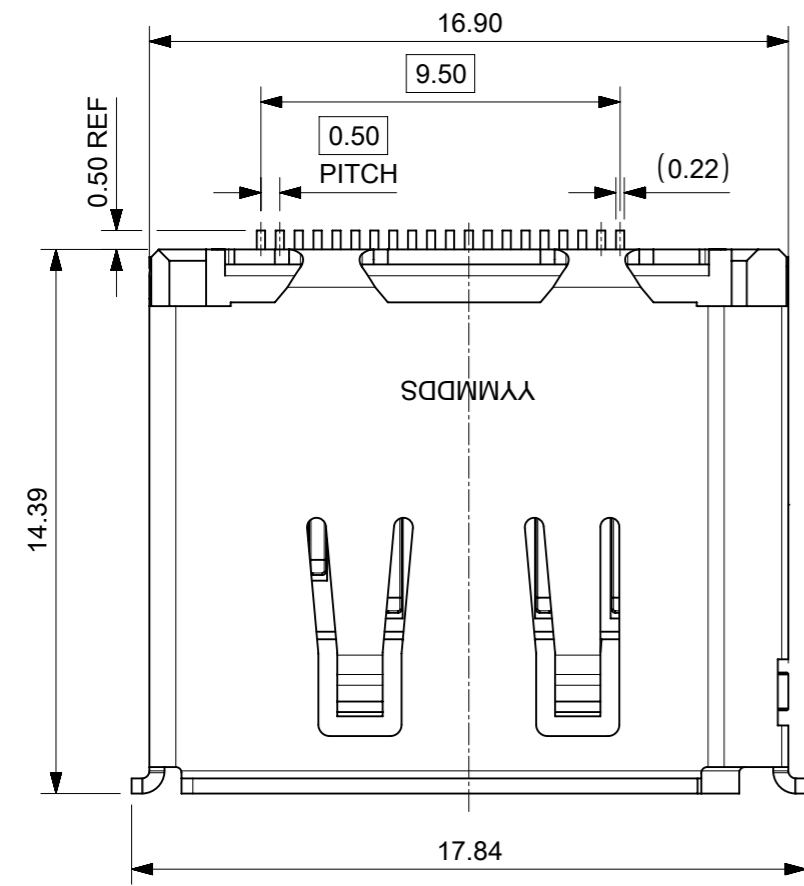
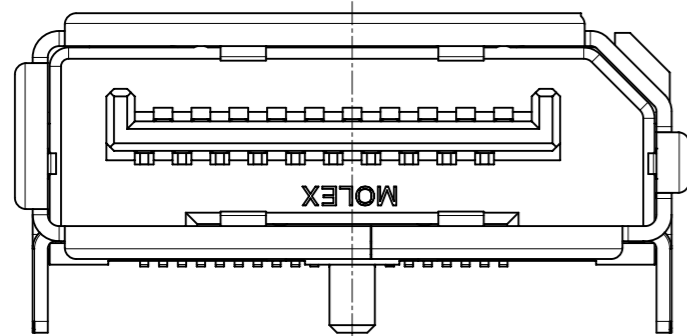
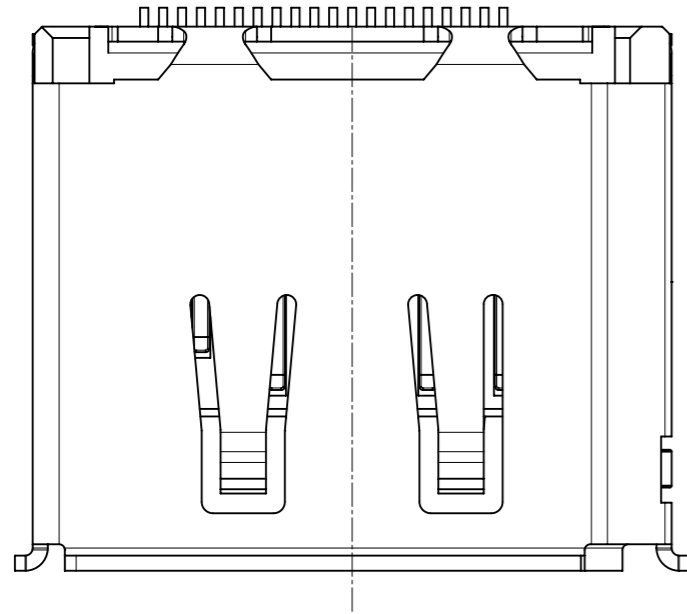


NOTES:
 1.MATERIAL:
 HOUSING:HIGH TEMPERATURE THERMAL PLASTIC,BLACK,30 GLASS FILLED, UL94V-0.
 TERMINAL: COPPER ALLOY.
 SHELL: COPPER ALLOY.
 2.PLATING:
 TERMINAL:CONTACT AREA : (1) 0.76MICROMETER GOLD PLATING
 (2) GOLD FLASH PLATING
 AND SOLDER TAIL(a) 1~3MICROMETER MATT TIN PLATING
 (b)GOLD FLASH PLATING
 UNDER PLATING: 1 MICROMETER MIN. NICKEL PLATING OVERALL
 SHELL:1.27~2.54 MICROMETER SOLDERABLE NICKEL PLATING OVERALL
 3. SOLDER TAIL COPLANARITY 0.10MAX.
 4. PRODUCT SPECIFICATION REFER TO PS-47272-001
 5. PACKAGE SPECIFICATION REFER TO PK-105019-001

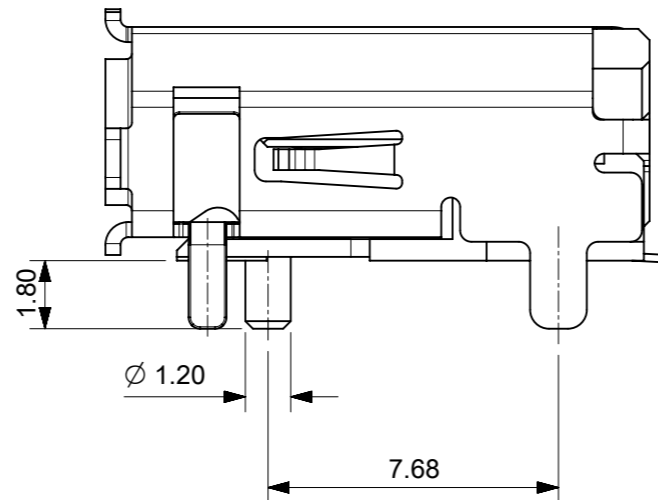
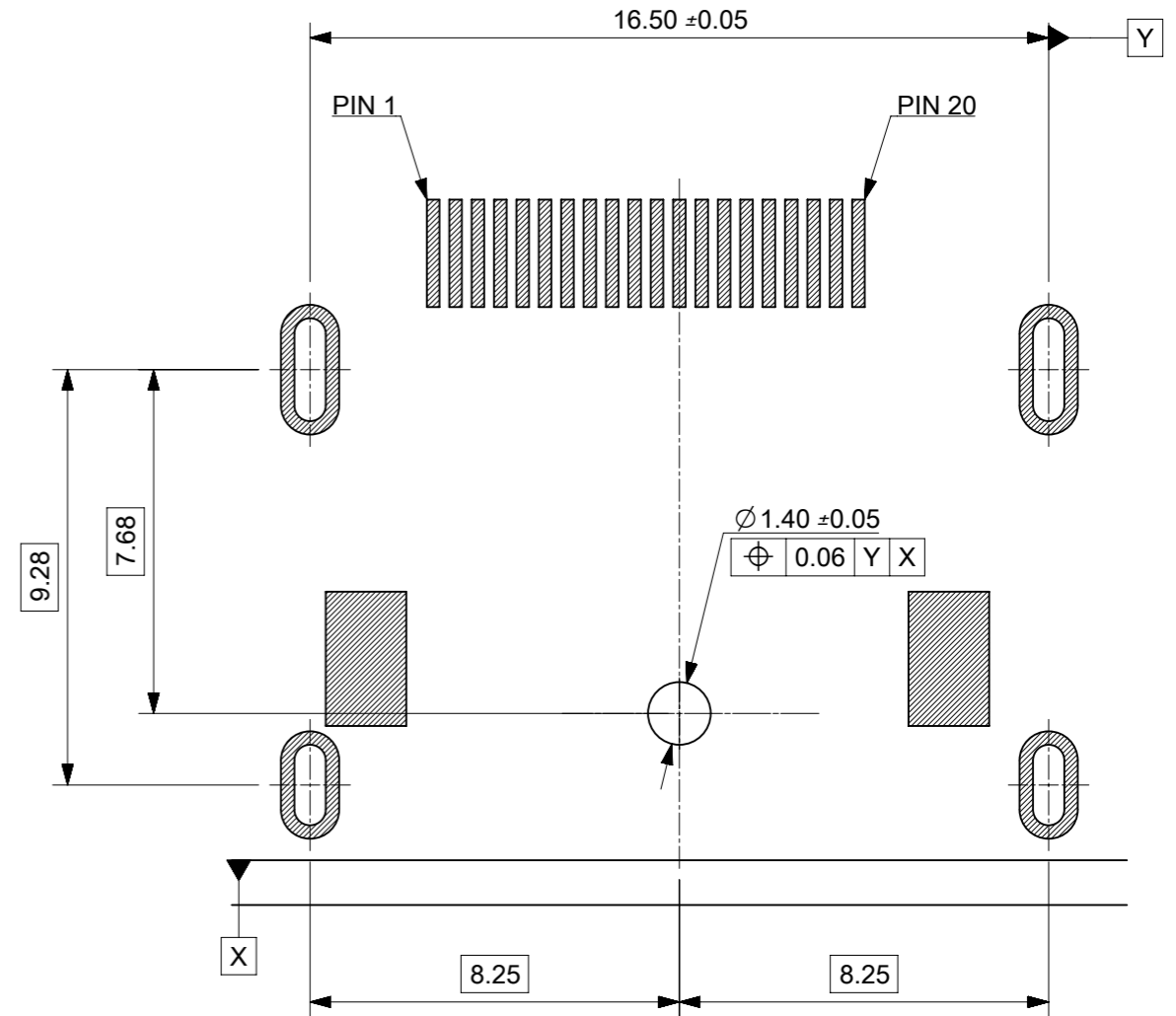


THIS DRAWING CONTAINS INFORMATION THAT IS PROPRIETARY TO MOLEX ELECTRONIC TECHNOLOGIES, LLC AND SHOULD NOT BE USED WITHOUT WRITTEN PERMISSION									
DIMENSION UNITS		SCALE		CURRENT REV DESC:					
MM		5:1		molex 1.0MM PITCH DISPLAY PORT REVERSE TYPE R/A RECEPTACLE PRODUCT CUSTOMER DRAWING DOCUMENT NUMBER: SD-105019-001 DOC TYPE: PSD DOC PART: 001 REVISION: E MATERIAL NUMBER: SEE TABLE CUSTOMER: GENERAL MARKET SHEET NUMBER: 1 OF 2					
GENERAL TOLERANCES (UNLESS SPECIFIED)									
4 PLACES ±		±							
3 PLACES ±		±							
2 PLACES ±		0.25 ±							
1 PLACE ±		0.25 ±		EC NO: 628958		DRWN: AKUMAR19		2018/10/22	
0 PLACES ±		±		CHK'D: GGA		APPR: GGA		2020/01/16	
ANGULAR TOL ±		2.0°		INITIAL REVISION:		DRWN: HHE		2007/05/12	
DRAFT WHERE APPLICABLE MUST REMAIN WITHIN DIMENSIONS		THIRD ANGLE PROJECTION		DRAWING		SERIES		MATERIAL NUMBER	
		A3-SIZE		105019		SEE TABLE		GENERAL MARKET	

P/N	POST	PLATING ON CONTACT AREA	PLATING ON SOLDEING TAIL
105019-0001	WITHOUT	SEE NOTE 2(1)	SEE NOTE 2(a)
105019-0005	WITHOUT	SEE NOTE 2(2)	SEE NOTE 2(a)
105019-0006	WITH	SEE NOTE 2(2)	SEE NOTE 2(a)
105019-0007	WITHOUT	SEE NOTE 2(1)	SEE NOTE 2(b)
105019-0008	WITHOUT	SEE NOTE 2(2)	SEE NOTE 2(b)



WITH POST



NOTES:
1. UNSPECIFIED DIMENSION ARE SAME AS SHEET1

THIS DRAWING CONTAINS INFORMATION THAT IS PROPRIETARY TO MOLEX ELECTRONIC TECHNOLOGIES, LLC AND SHOULD NOT BE USED WITHOUT WRITTEN PERMISSION											
DIMENSION UNITS		SCALE		CURRENT REV DESC:						molex	
MM		5:1									
GENERAL TOLERANCES (UNLESS SPECIFIED)				EC NO: 628958		DRWN: AKUMAR19		2018/10/22		1.0MM PITCH DISPLAY PORT	
4 PLACES ±				CHK'D: GGA		APPR: GGA		2020/01/16		REVERSE TYPE R/A RECEPTACLE	
3 PLACES ±				INITIAL REVISION:		DRWN: HHE		2007/05/12		PRODUCT CUSTOMER DRAWING	
2 PLACES ± 0.25				APPR: JNCHEN		APPR: JNCHEN		2007/05/12		DOCUMENT NUMBER	
1 PLACE ± 0.25				ANGULAR TOL ± 2.0°		DRAFT WHERE APPLICABLE MUST REMAIN WITHIN DIMENSIONS		THIRD ANGLE PROJECTION		DOC TYPE	
0 PLACES ±				DRAWING		SERIES		MATERIAL NUMBER		CUSTOMER	
A3-SIZE				105019		SEE TABLE		GENERAL MARKET		SHEET NUMBER	
2 OF 2											