

SOM-4466

AMD G-Series Processor ETX CPU Module



Features

- AMD G-Series Processor + FCH A55E
- Supports DX11, OGL3.2, and H.264/AVC, VC-1 HW Acceleration
- Supports DDR3-1066 up to 4GB
- Supports PCI, ISA, SMBus, I²C
- Supports 10/100 LAN, SATA, mSATA Socket, IDE, USB2.0

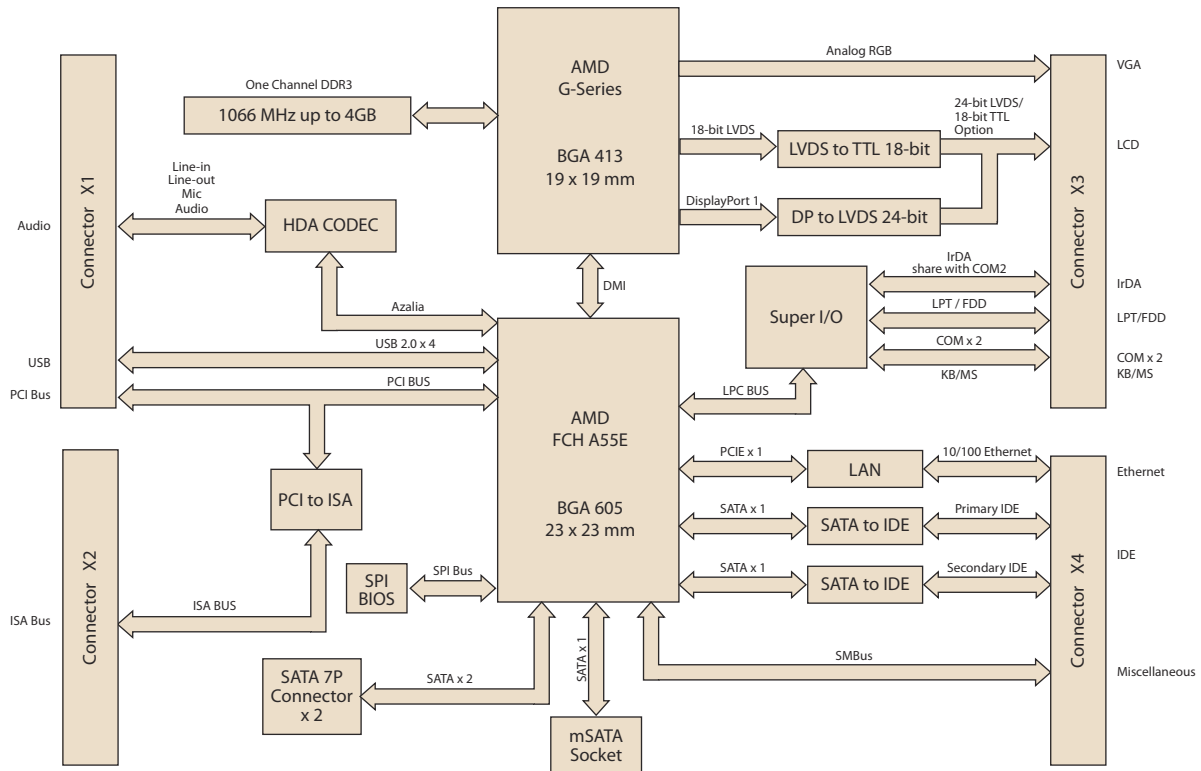
Software APIs:



Specifications

Compliance	Pin Define	ETX V3.02
	Form Factor	ETX Module 114 x 95 mm (3.74" x 4.5")
Processor System	CPU Frequency/Core/L2 Cache	AMD T16R 615 MHz/Single Core/512 KB AMD T40E 1GHz/Dual Core/512KB AMD T56N 1.65GHz/Dual Core/512KB
	Chipset	AMD A55E
	BIOS	AMI 32 Mbit, SPI
Memory	Technology	DDR3-1066 MHz non-ECC unbuffered
	Capacity	1 SODIMM up to 4 GB
Display	Graphic Engine	AMD Radeon HD 6320 / HD 6250
	Graphic Memory	Share with system memory up to 512MB
	Capacity	Support DX11, OGL3.2, OCL1.1 and HW acceleration for H.264/AVC, VC-1, MPEG2
	VGA	Resolution up to 1920 x 1200 @ 30 bpp
	LCD	TTL Version: 18-bit up to 800 x 600 LVDS Version: 24-bit up to 1024 x 768
Expansion I/F	Dual Display	VGA + LCD
	PCI	PCI V2.3, up to 4 masters
Serial Bus	ISA	Support Memory and I/O decode
	SMBus	Yes
I/O	I ² C Bus	Yes
	Ethernet	Realtek RTL8105E 10/100 LAN
	SATA	2 Port on ETX Module , SATA Gen3 600 MB/s compliant. Support IDE/AHCI Mode, RAID 0, 1
	mSATA socket	1 Half-Size mSATA socket on ETX Module, SATA Gen 3 600 MB/s compliant
	IDE	2 Channels, each channel support up to 1 IDE device. ATA/ATAPI-7 (UDMA133) compliant
	USB2.0	4 Ports
	Audio	Realtek ALC262. Support Line-in(L/R), Line-out(L/R), MIC
	COM Port	2 Ports
	LPT/Floppy	1 Port shared
	Keyboard & Mouse	1 Keyboard and 1 Mouse
	GPIO/GPE	1 GPIO, 2 GPE
	Watchdog Timer	256 level timer interval, from 0 to 255 sec or min setup by software, jumperless selection, generates system reset
	Power	Type
Supply Voltage		ATX: +5 V and +5 VSB, AT: +5 V
Power Consumption (Idle)		+5 V @ 1.22 A
Power Consumption (Max.)		+5 V @ 1.55 A
Environment	Temperature	Operating: 0 ~ 60° C (32 ~ 140° F) Storage: -40 ~ 85° C (-40 ~ 185° F)
	Humidity	Operating: 40° C @ 95% relative humidity, non-condensing Storage: 60° C @ 95%relative humidity, non-condensing

Block Diagram



Ordering Information

Part No.	CPU	L2 Cache	Chipset	Bundled DDR	LVDS	TTL	PCI Master	ISA	GbE	SATA	mSATA Socket	IDE	USB 2.0	Thermal Solution	Operating Temperature
SOM-4466L-M0A1E	T16R	512KB	A55E	N/A	24-bit	N/A	4	1	1	2	1	2	4	Passive	0 ~ 60° C
SOM-4466T-M0A1E	T16R	512KB	A55E	N/A	N/A	18-bit	4	1	1	2	1	2	4	Passive	0 ~ 60° C
SOM-4466L-S0A1E	T40E	512KB	A55E	N/A	24-bit	N/A	4	1	1	2	1	2	4	Active	0 ~ 60° C
SOM-4466L-S6A1E	T56N	512KB	A55E	N/A	24-bit	N/A	4	1	1	2	1	2	4	Active	0 ~ 60° C
SOM-4466LZ-M0A1E	T16R	512KB	A55E	N/A	24-bit	N/A	4	1	1	2	1	2	4	Passive	-20 ~ 80° C
SOM-4466LZ2-M0A1E	T16R	512KB	A55E	N/A	24-bit	N/A	4	1	1	2	1	2	4	Passive	-40 ~ 85° C
SOM-4466TZ-M0A1E	T16R	512KB	A55E	N/A	N/A	18-bit	4	1	1	2	1	2	4	Passive	-20 ~ 80° C
SOM-4466TZ2-M0A1E	T16R	512KB	A55E	N/A	N/A	18-bit	4	1	1	2	1	2	4	Passive	-40 ~ 85° C

Note: Passive = fanless; Active = with fan

Development Board

Part No.	Description
SOM-DB4700-00A1E	Development Board for ETX

Packing List

Part No.	Description	Quantity
-	SOM-4466 ETX Module	1
1960058558N001	Heatspreader	1

Optional Accessories

Part No.	Description
1960012091T00S	Semi-Heatsink 114 x 96 x 15 mm
1960090719N001	H.S R2 Semi-Cooler 114x96x15-SC 12V0.3A 4200RPM
96LEDK-A084SV45NB2	8.4" LED PANEL 450N 800 x 600(G) G084SN05 V9
96LEDK-C150XG40NG1	15" LED PANEL 400N 1024 x 768(G) G150XGE-L04

Embedded OS

OS	Part No.	Description
WES2009	2070011641	Image XPE WES2009 SOM-4466 V4.3 ENG; SA
WES7	2070011640	Image WES7E SOM-4466 V5.1.4 ENG; SA
WEC7	2070013746	Image WEC7 SOM-4466 V1.1 ENG (RTL8105E only)