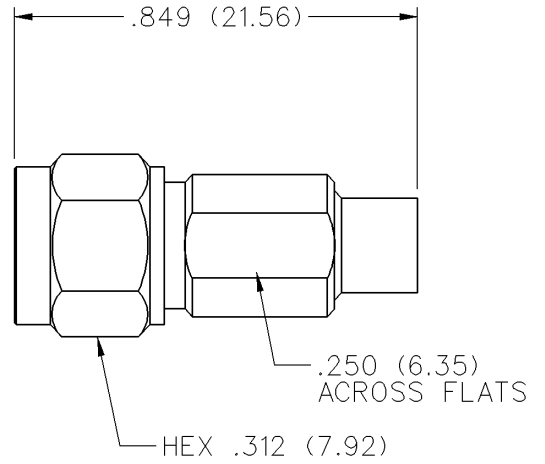


# Between Series Adapter SMA Plug to MCX Jack



INCHES (MILLIMETERS)  
CUSTOMER DRAWINGS AVAILABLE UPON REQUEST



| VSWR & FREQUENCY RANGE    | GOLD PLATED  |
|---------------------------|--------------|
| 1.03 + .03f (GHz) 0-6 GHz | 134-1018-001 |