



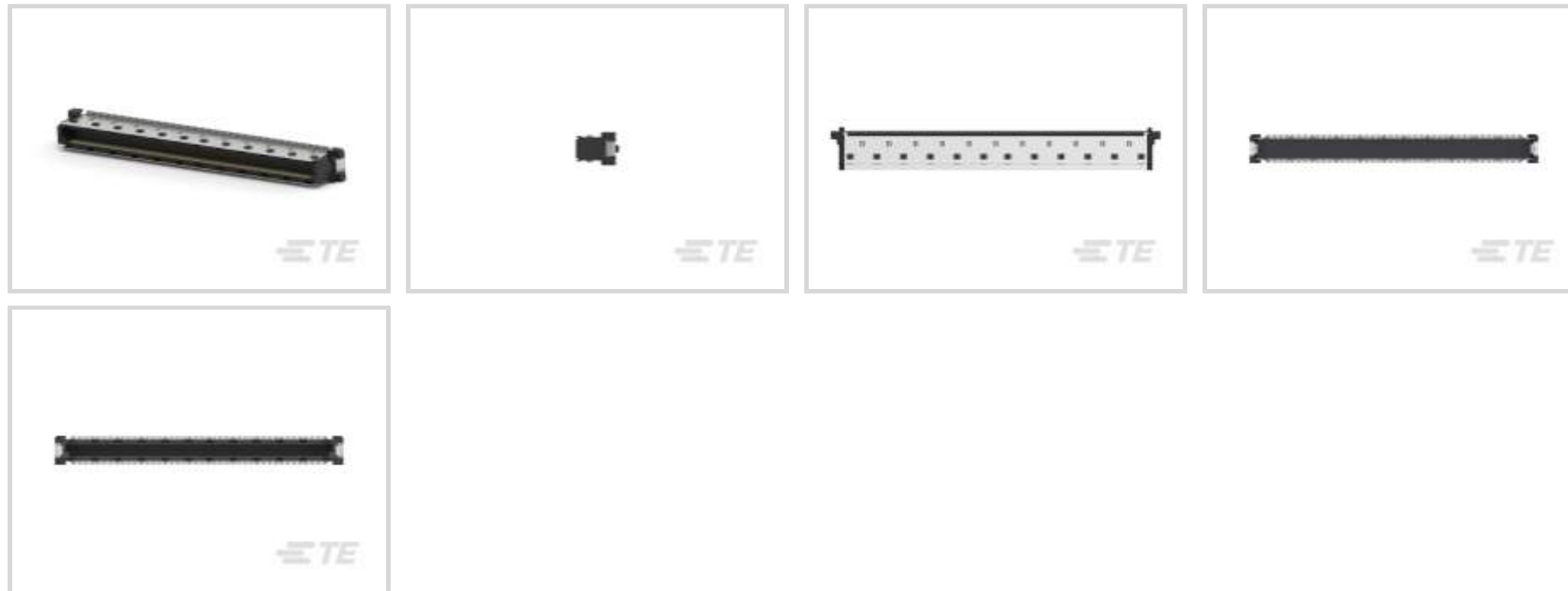
**Free Height**

TE Internal #: 3-1939756-6

PCB Mount Header, Vertical, Board-to-Board, 220 Position, .5 mm [.02 in] Centerline, Gold, Surface Mount, Signal, Black, Free Height

[View on TE.com >](#)

Connectors > PCB Connectors > PCB Headers & Receptacles



PCB Connector Assembly Type: **PCB Mount Header**

PCB Mount Orientation: **Vertical**

Connector System: **Board-to-Board**

Number of Positions: **220**

Centerline (Pitch): **.5 mm [.02 in]**

**Features**

**Product Type Features**

Ground Feature Type	Grounding Contact, Grounding Plate
PCB Connector Assembly Type	PCB Mount Header
Connector System	Board-to-Board
Connector & Contact Terminates To	Printed Circuit Board

**Configuration Features**

Stackable	Yes
PCB Mount Orientation	Vertical
Number of Positions	220
Board-to-Board Configuration	Parallel

**Electrical Characteristics**

Dielectric Withstanding Voltage (Max)	200 VAC
Insulation Resistance	2 MΩ
Operating Voltage	50 VAC

**Body Features**

--	--



Primary Product Color	Black
-----------------------	-------

### Contact Features

Contact Mating Area Length	1 mm, 1.3 mm
----------------------------	--------------

PCB Contact Termination Area Plating Material Thickness	1 $\mu\text{m}$ [39.37 $\mu\text{in}$ ]
---	---

Contact Layout	Inline
----------------	--------

Mating Tab Width	.35 mm[.013 in]
------------------	-----------------

Mating Tab Thickness	.2 mm[.008 in]
----------------------	----------------

Contact Shape & Form	Square
----------------------	--------

PCB Contact Termination Area Plating Material	Tin
---	-----

Contact Base Material	Copper Alloy
-----------------------	--------------

Contact Mating Area Plating Material	Gold
--------------------------------------	------

Contact Mating Area Plating Material Thickness	.76 $\mu\text{m}$ [29.9212 $\mu\text{in}$ ]
--	---

Contact Type	Pin
--------------	-----

Contact Current Rating (Max)	.5 A
------------------------------	------

### Termination Features

Rectangular Termination Post & Tail Thickness	.2 mm[.008 in]
---	----------------

Rectangular Termination Post & Tail Width	.71 mm[.028 in]
---	-----------------

Termination Method to Printed Circuit Board	Surface Mount
---	---------------

### Mechanical Attachment

PCB Mount Alignment Type	Locating Posts
--------------------------	----------------

PCB Mount Retention Type	Solder Peg
--------------------------	------------

Mating Alignment	With
------------------	------

Mating Alignment Type	Polarization
-----------------------	--------------

PCB Mount Retention	With
---------------------	------

PCB Mount Alignment	With
---------------------	------

Connector Mounting Type	Board Mount
-------------------------	-------------

### Housing Features

Centerline (Pitch)	.5 mm[.02 in]
--------------------	---------------

Housing Material	High Temperature Thermoplastic
------------------	--------------------------------

### Dimensions

Stack Height	8 mm, 12 mm[.472 in]
--------------	----------------------

	.76 in
--	--------

### Usage Conditions

Operating Temperature Range	-40 – 85 °C[-40 – 185 °F]
-----------------------------	---------------------------

### Operation/Application

Assembly Process Feature	None
Circuit Application	Signal

### Industry Standards

UL Flammability Rating	UL 94V-0
------------------------	----------

### Packaging Features

Packaging Quantity	30
Packaging Type	Tray

### Product Compliance

[For compliance documentation, visit the product page on TE.com>](#)

EU RoHS Directive 2011/65/EU	Compliant
EU ELV Directive 2000/53/EC	Compliant
China RoHS 2 Directive MIIT Order No 32, 2016	No Restricted Materials Above Threshold
EU REACH Regulation (EC) No. 1907/2006	Current ECHA Candidate List: JUNE 2023 (235) Candidate List Declared Against: JAN 2023 (233) Does not contain REACH SVHC
Halogen Content	Low Halogen - Br, Cl, F, I < 900 ppm per homogenous material. Also BFR/CFR/PVC Free
Solder Process Capability	Reflow solder capable to 245°C

#### Product Compliance Disclaimer

This information is provided based on reasonable inquiry of our suppliers and represents our current actual knowledge based on the information they provided. This information is subject to change. The part numbers that TE has identified as EU RoHS compliant have a maximum concentration of 0.1% by weight in homogenous materials for lead, hexavalent chromium, mercury, PBB, PBDE, DBP, BBP, DEHP, DIBP, and 0.01% for cadmium, or qualify for an exemption to these limits as defined in the Annexes of Directive 2011/65/EU (RoHS2). Finished electrical and electronic equipment products will be CE marked as required by Directive 2011/65/EU. Components may not be CE marked. Additionally, the part numbers that TE has identified as EU ELV compliant have a maximum concentration of 0.1% by weight in homogenous materials for lead, hexavalent chromium, and mercury, and 0.01% for cadmium, or qualify for an exemption to these limits as defined in the Annexes of Directive 2000/53/EC (ELV). Regarding the REACH Regulation, the information TE provides on SVHC in articles for this part number is based on the latest European Chemicals Agency (ECHA) 'Guidance on requirements for substances in articles' posted at this URL: <https://echa.europa.eu/guidance-documents/guidance-on-reach>

### Compatible Parts




TE Part # 3-1827253-6  
.5FHP05H,220,S,GIG,08/Sn,HT,NSYes



TE Part # 8-6318491-6  
.5FHP08H,220,S,GIG,08/Sn,HT,SEYes



TE Part # 3-6318491-6  
.5FHP08H,220,S,GIG,08/Sn,HT,NSYes



TE Part # 9-6318491-6  
.5FHP08H,220,S,GIG,08/Sn,HT,NSYes, W/C



TE Part # 3-6318490-6  
.5FHR04H,220,S,GIG,08/Sn,HT,NSYes



TE Part # 6-5353606-6  
.5FHR04H,220,S,GIG,08/Sn,HT,SEYes



TE Part # 3-2040713-6  
.5FHP08H,220,S,GIG,30/Sn,TR,NS



TE Part # 9-1939756-6  
.5FHP08H,220,S,GIG,30/Sn,HT,NS,WC



TE Part # 3-1939755-6  
.5FHR04H,220,S,GIG,30/Sn,HT,NS



TE Part # 3-2040714-6  
.5FHR04H,220,S,GIG,30/Sn,TR,NSYes



TE Part # 4-1827253-6  
.5FHP05H,220,S,GIG,08/Sn,TR,NSYes



TE Part # 9-1827253-6  
.5FHP05H,220,S,GIG,30/Sn,HT,NSYes

Also in the Series | Free Height



PCB Headers & Receptacles(759)

Customers Also Bought



TE Part #5100669-1  
Z-PACK M.CONN.175P.



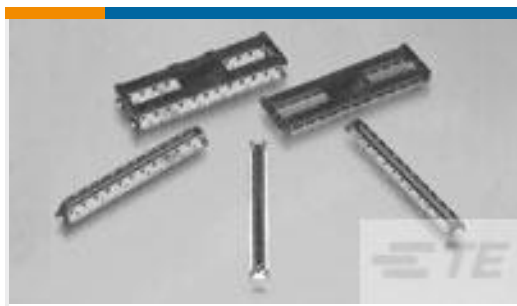
TE Part #2299806-1  
NRW NON-FABRIC CARRIER, SOCKET P0



TE Part #2170903-1  
RECEPTACLE HM-EZD+, 4PAIRS 10COLUMNS



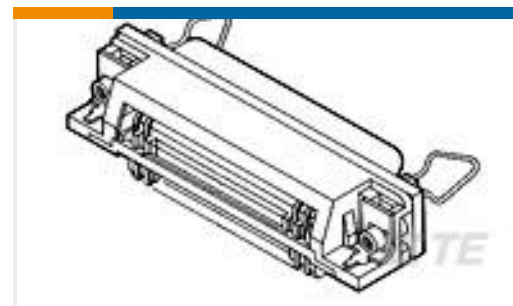
TE Part #2065883-1  
Zd Plus, 3 pair receptacle ass



TE Part #3-6318491-6  
[.5FHP08H,220,S,GIG,08/Sn,HT,NSYes](#)



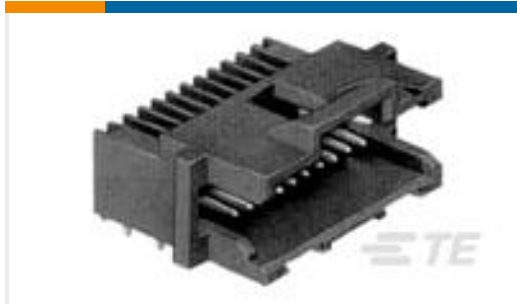
TE Part #5223955-2  
[TE UPM Ver Receptacle 3P STD Power](#)



TE Part #5555139-1  
[RCPT, ASSY, LPF, 24 POSN,RTANG](#)



TE Part #2309413-3  
[DDR4 SODIMM 260P 9.2H STD](#)



TE Part #6-104069-8  
[68 sys 50 HDR DDR4 SHRD SN](#)



TE Part #2-2013289-2  
[EMBOSS TAPE DDR3 204P 5.2H STD Au 0.25](#)

## Documents

### Product Drawings

[.5FHP08H,220,S,GIG,30/Sn,HT,NS](#)

English

### CAD Files

[3D PDF](#)

3D

Customer View Model

[ENG\\_CVM\\_CVM\\_3-1939756-6\\_A\\_c-3-1939756-6-a.2d\\_dxf.zip](#)

English

Customer View Model

[ENG\\_CVM\\_CVM\\_3-1939756-6\\_A\\_c-3-1939756-6-a.3d\\_igs.zip](#)

English

Customer View Model

[ENG\\_CVM\\_CVM\\_3-1939756-6\\_A\\_c-3-1939756-6-a.3d\\_stp.zip](#)

English

By downloading the CAD file I accept and agree to the [Terms and Conditions](#) of use.

### Datasheets & Catalog Pages

[COM Connectors Brochure \(English\)](#)

English

### Product Specifications

[Application Specification](#)

English

### Product Environmental Compliance

[MD\\_3-1939756-6\\_021520181156\\_dmtec](#)

3-1939756-6

PCB Mount Header, Vertical, Board-to-Board, 220 Position, .5 mm [.02 in] Centerline,  
Gold, Surface Mount, Signal, Black, Free Height



English

[MD\\_3-1939756-6\\_021520181156\\_dmtec](#)

English