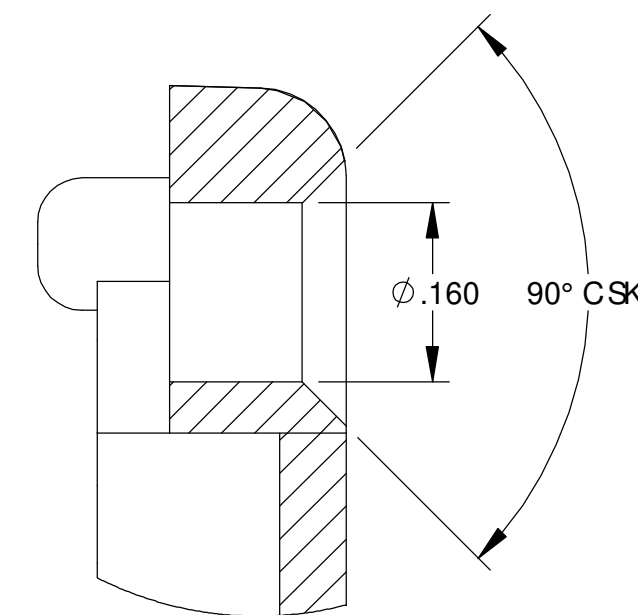
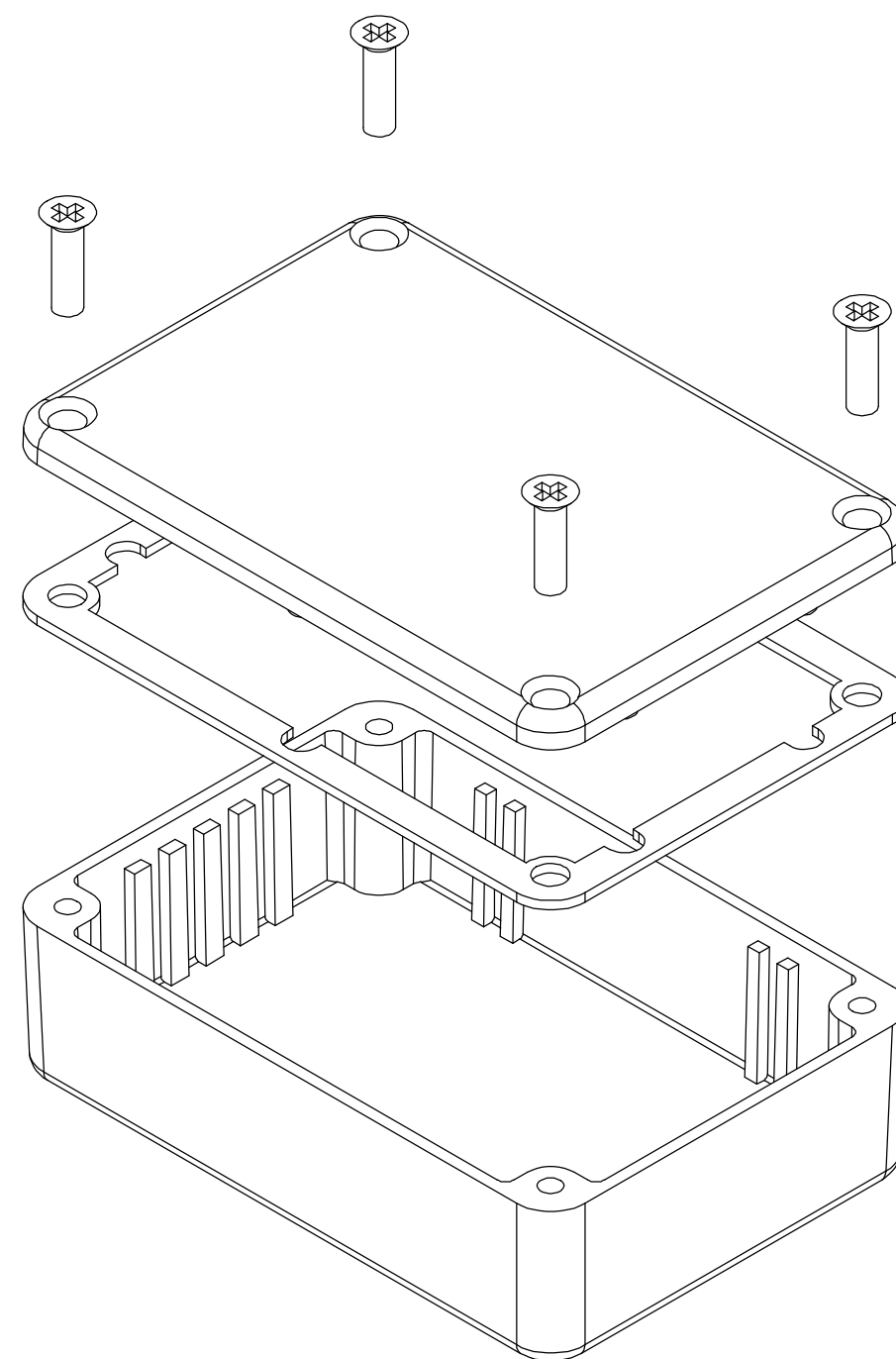


THE INFORMATION CONTAINED IN THIS DRAWING IS THE SOLE PROPERTY OF BUD INDUSTRIES INC. ANY REPRODUCTION IN PART OR WHOLE WITHOUT THE WRITTEN PERMISSION OF BUD INDUSTRIES INC. IS PROHIBITED.

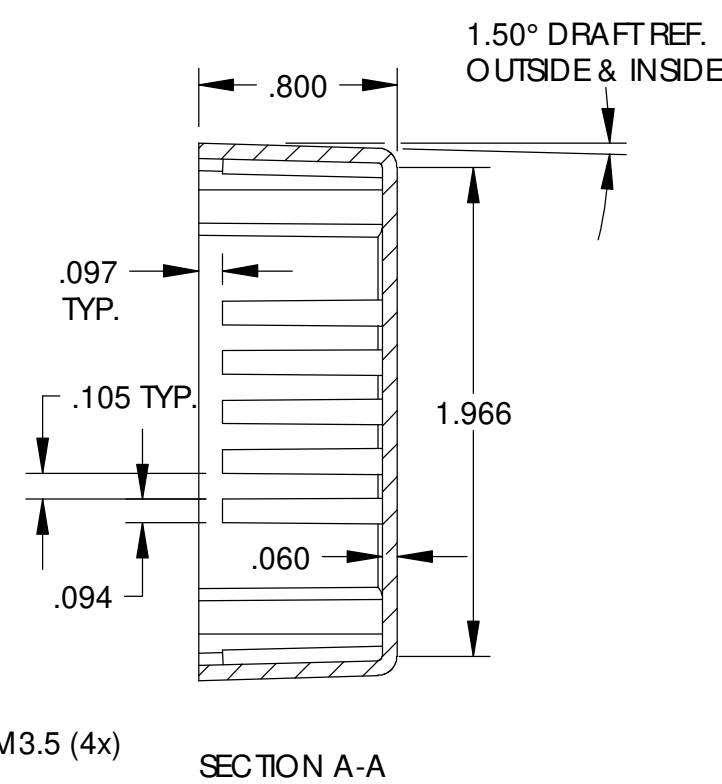
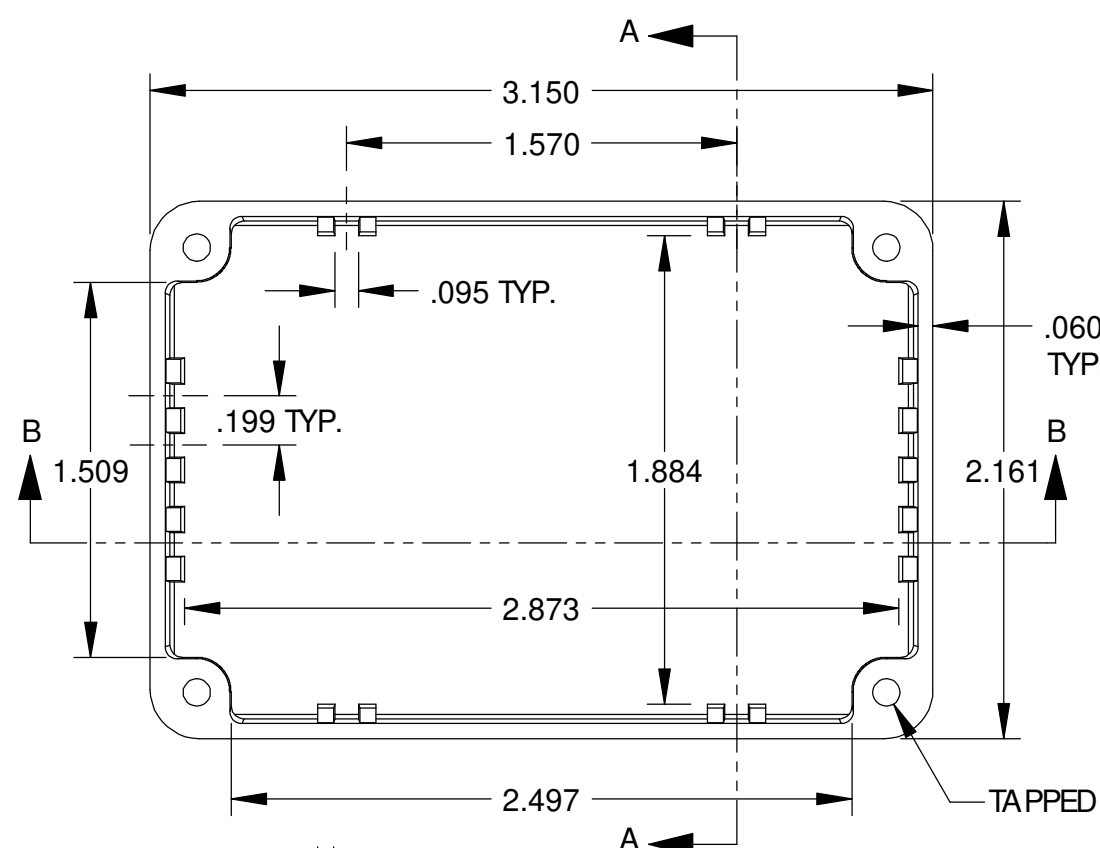
| | |
|----------|-----------|
| DWG. NO. | CN-5701 |
| ISSUE | REVISIONS |
| | |

MATERIAL - ALUMINUM ALLOY #ADC-12
 FINISH - NATURAL (CONTACT BUD FACTORY FOR ALTERNATE FINISHES)
 GASKET - RATED IP65 NEOPRENE, SELF-ADHESIVE, 3mm THICK, COLOR BLACK
 SCREWS - STAINLESS STEEL, M3.5 x 12mm LG., CSK. HEAD, SELF-THREADING

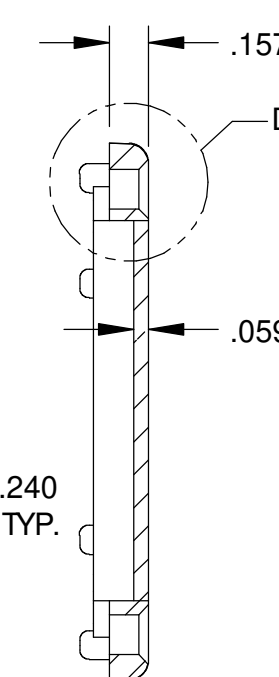
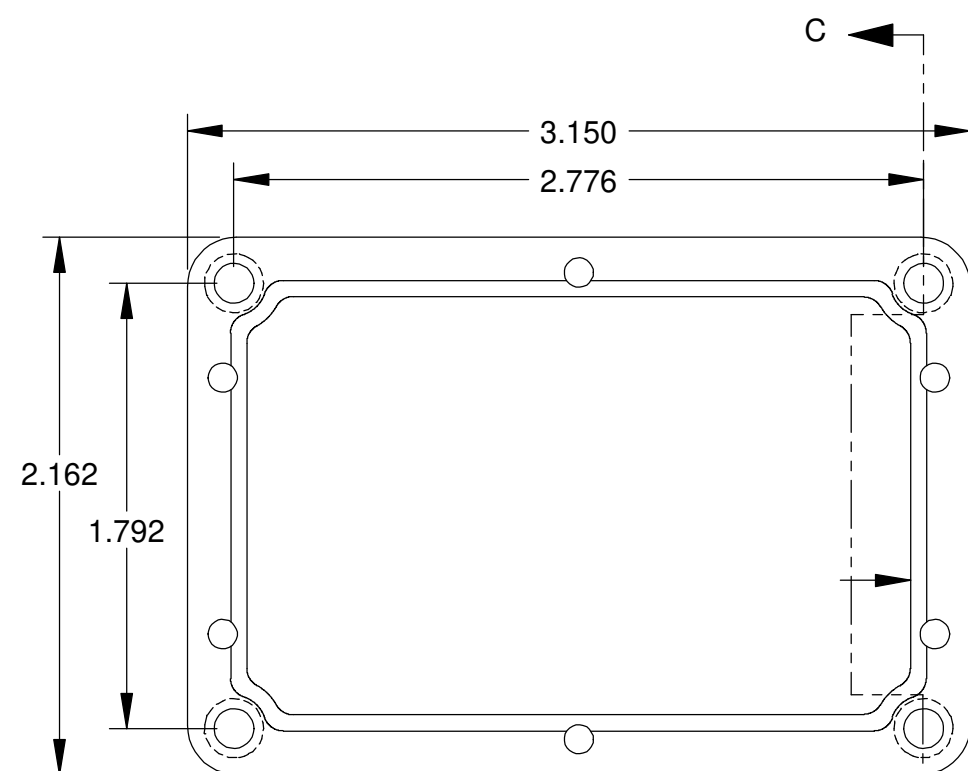
ALL HOLE DIAMETERS HAVE ±.005 TOLERANCE
 ALL OTHER DIMENSIONS HAVE ±.015 TOLERANCE
 ENCLOSURES ARE SHIPPED UNASSEMBLED WITH ALL ITEMS SHOWN.



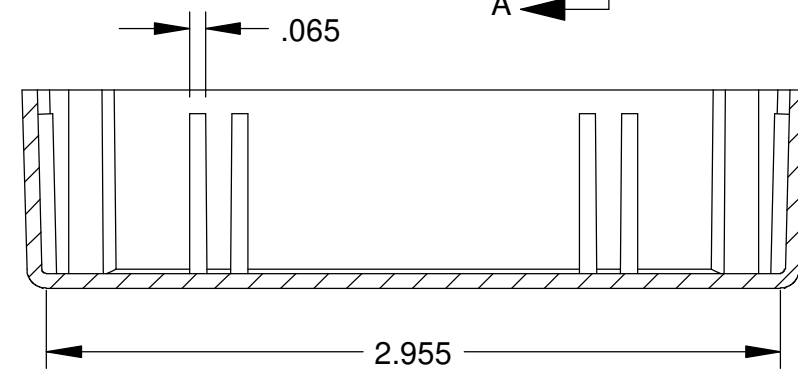
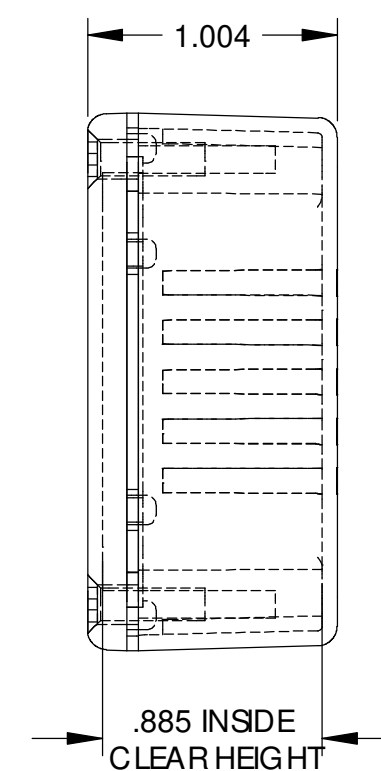
DETAIL D
SCALE 6 : 1



BODY



COVER



SECTION B-B

| PARTS LIST | | | |
|--|---------|---|------------------------|
| +/- .005 BETWEEN HOLE CENTERS +/- .015 FROM SHEARED EDGE +/- .032 FROM A BENT SURFACE +/- .062 BETWEEN ASSEMBLED SURFACES UNLESS OTHERWISE SPECIFIED | | CAD GENERATED DRAWING. DO NOT MANUALLY UPDATE. | |
| MATERIAL AS NOTED | | APPROVALS DRAWN DAB | DATE 3-31-06 |
| FINISH AS NOTED | | CHECKED | APPROVED |
| QTY. | USED ON | DO NOT SCALE DRAWING | SCALE |
| DWG. NO. CN-5701 | | REV. | |
| SHEET 1 OF 1 | | BUD INDUSTRIES INC. DIE CAST ALUMINUM ENCLOSURE | |