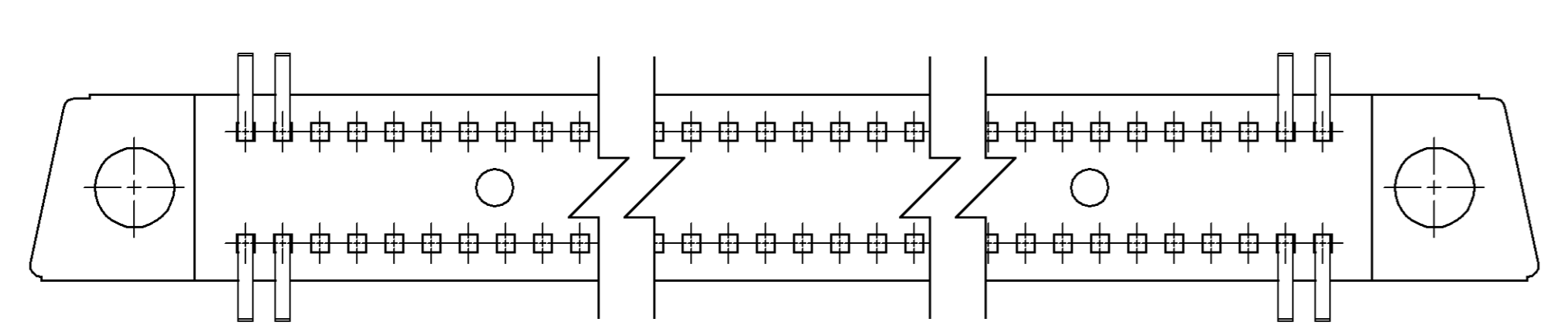
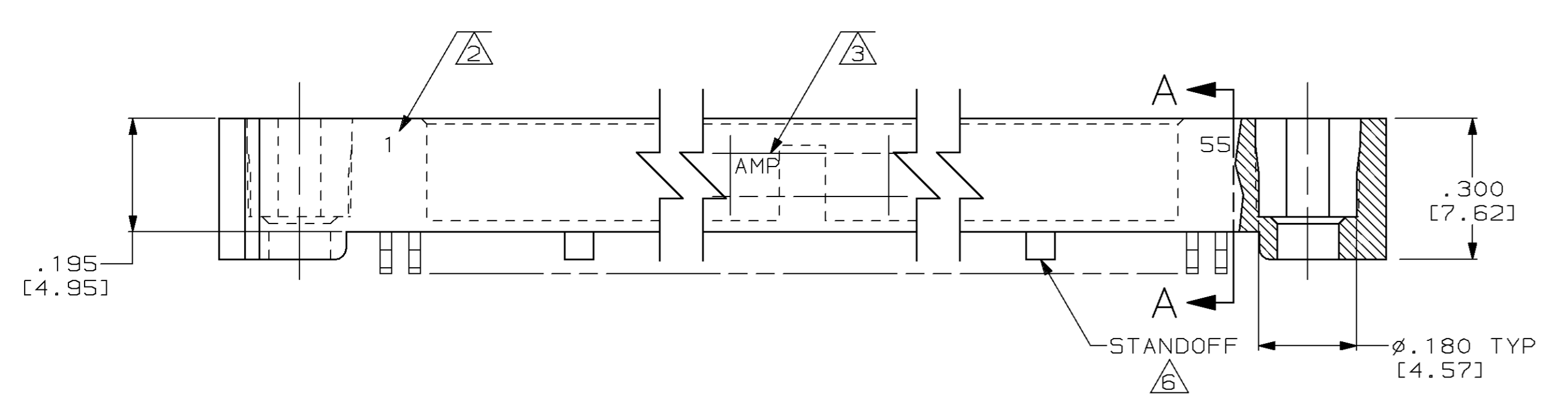
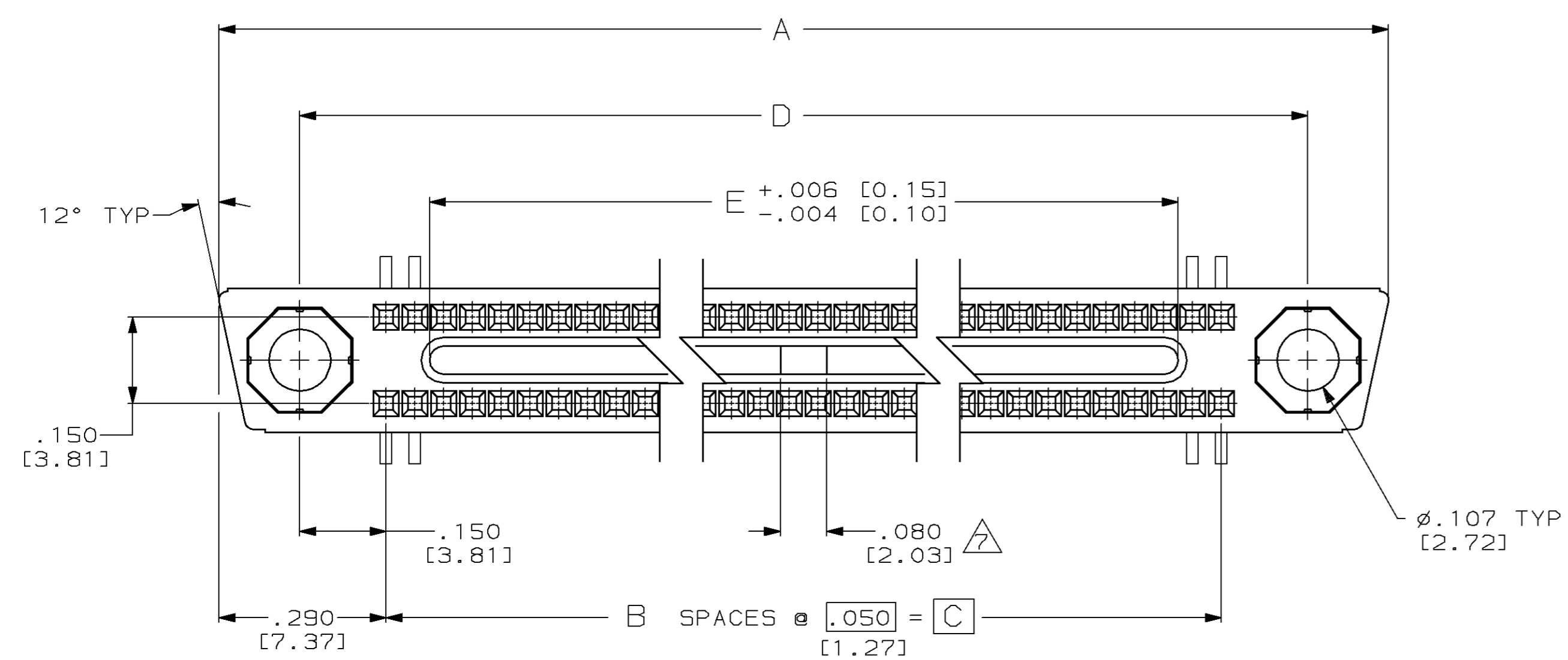
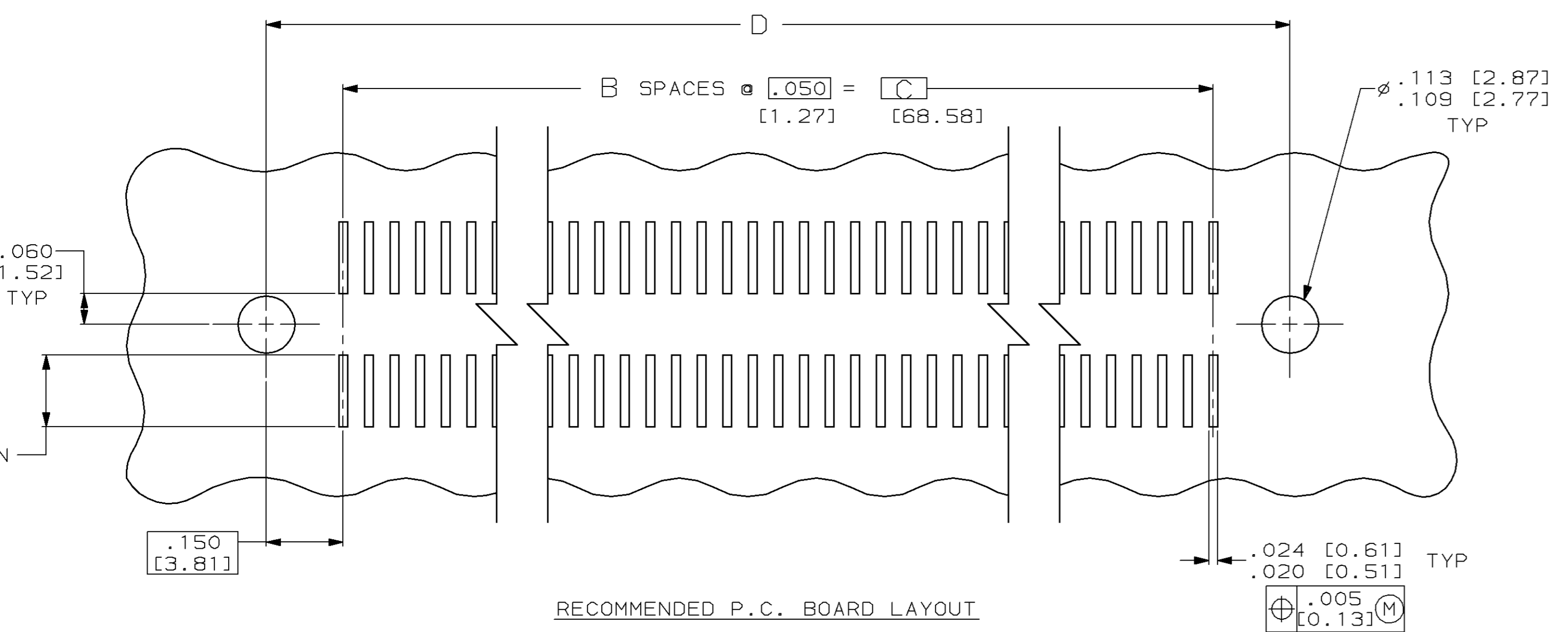
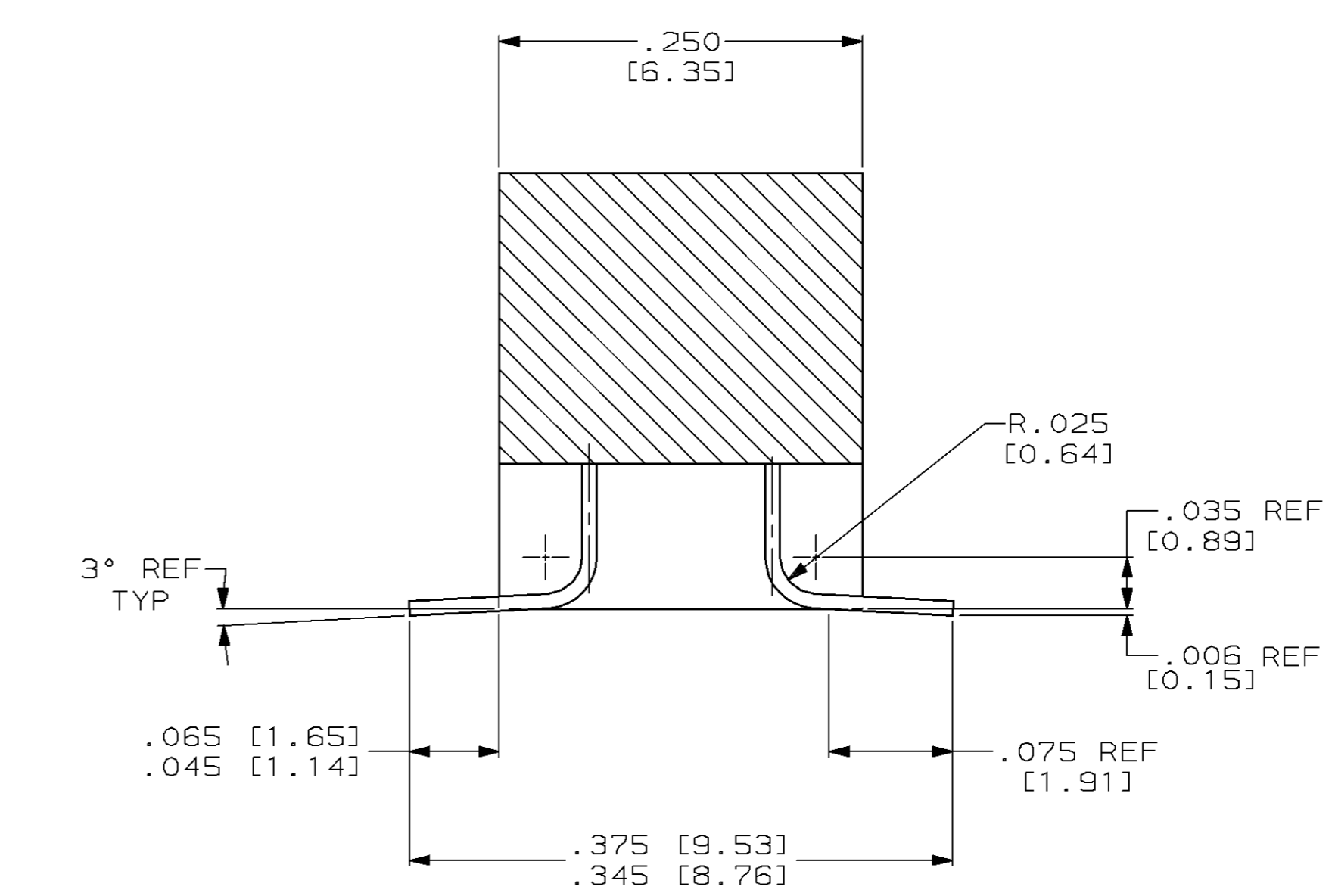


LOC		DIST		P		F		ZONE		LTR		REVISIONS			
DF	F0											DESCRIPTION	DATE	APPD	
												O	REL PER NPR 93-0238 TA	8-31-93	DG
												A	REV PER 0600-3448-95 TA	1-17-96	DG
												B	REV PER 0600-4895-95 CT	1-96	DG
												C	ADD -11 PER 0600-5026-95 CT	2-96	DG



1. MEETS ALL APPLICABLE REQUIREMENTS OF MIL-C-55302.
2. NUMBERS INDICATING END POSITIONS MARKED THIS SIDE ONLY.
3. AMP, PART NO. AND DATE CODE, MARKED, IN THIS APPROXIMATE AREA.
4. HOUSING MAT'L: LIQUID CRYSTAL POLYMER, COLOR: GRAY
5. EPOXY IS ADDED TO BOTTOM OF HOUSING FOR INCREASED CONTACT RETENTION.
6. 70 THRU 100 POSN CONNECTORS HAVE ONE STANDOFF, 110 POSN AND LARGER SIZES HAVE TWO STANDOFFS.
7. FEATURE NOT PRESENT ON 20 THRU 50 POSITION.



REMARKS	CAVITY ID	E	D	C	B	A	POSN	PART NUMBER
	1 - 64	3.000 [76.20]	3.450 [87.63]	3.150 [80.01]	63	3.740 [95.00]	128	1-449599-1
NOT RELEASED	1 - 55	2.550 [64.77]	3.000 [76.20]	2.700 [68.58]	54	3.290 [83.57]	110	1-449599-0
NOT RELEASED	1 - 50	2.300 [58.42]	2.750 [69.85]	2.450 [62.23]	49	3.040 [77.22]	100	449599-9
NOT RELEASED	1 - 45	2.050 [52.07]	2.500 [63.50]	2.200 [55.88]	44	2.790 [70.87]	90	449599-8
NOT RELEASED	1 - 40	1.800 [45.72]	2.250 [57.15]	1.950 [49.53]	39	2.540 [64.52]	80	449599-7
-	1 - 35	1.550 [39.37]	2.000 [50.80]	1.700 [43.18]	34	2.290 [58.17]	70	449599-6
NOT RELEASED	1 - 30	1.300 [33.02]	1.750 [44.45]	1.450 [36.83]	29	2.040 [51.82]	60	449599-5
NOT RELEASED	1 - 25	1.050 [26.67]	1.500 [38.10]	1.200 [30.48]	24	1.790 [45.47]	50	449599-4
NOT RELEASED	1 - 20	.800 [20.32]	1.250 [31.75]	.950 [24.13]	19	1.540 [39.12]	40	449599-3
-	1 - 15	.550 [13.97]	1.000 [25.40]	.700 [17.78]	14	1.290 [32.77]	30	449599-2
NOT RELEASED	1 - 10	.300 [7.62]	.750 [19.05]	.450 [11.43]	9	1.040 [26.42]	20	449599-1

DO NOT SCALE PRINT. UNLESS SPECIFIED DIMENSIONS IN INCHES [mm] TOLERANCES ON:

DR 7-15-93 T. ALEXANDER	AMP AMP Incorporated Harrisburg, PA 17105-3608
CHK 8-31-93 D. GUTTER	
APPD 8-31-93 D. GUTTER	NAME RECEPTACLE ASSEMBLY MINI-BOX, SURFACE MOUNT
MATERIAL HOUSING	
APPD 8-31-93 T. ALEXANDER	SIZE D 00779 C=449599
PRODUCT SPEC	
FINISH .000050 GOLD IN CONTACT AREA TIN-LEAD ON TAILS	APPLICATION SPEC
	WEIGHT
	SCALE 5:1
	DRAWING NO. C=449599
	SHEET 1 OF 1

THIS DRAWING IS A CONTROLLED DOCUMENT FOR AMP INCORPORATED. IT IS SUBJECT TO CHANGE AND THE CONTROLLING ENGINEERING ORGANIZATION SHOULD BE CONTACTED FOR THE LATEST REVISION.