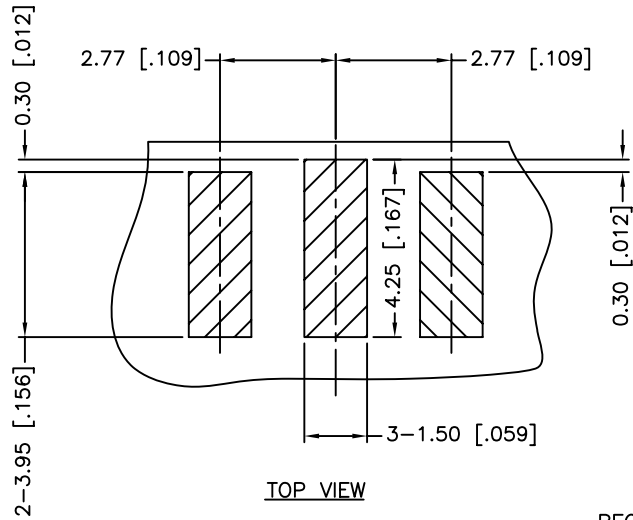
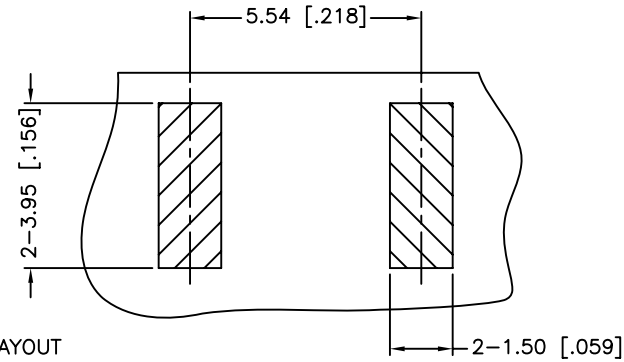


REV.	DATE	ECR NO.	DESCRIPTION
NC	04/02/01	XXXXXX	INITIAL RELEASE
A	09/20/05	XXXXXX	UPDATE DRAWING FORMAT
B	02/03/10	2020	ADDED RECOMMENDED PCB LAYOUT
C	08/24/11	2203	UPDATE THE BODY AND CONTACT, ADD NOTES
D	11/30/11	2254	UPDATE THE CONTACT AND INSULATOR

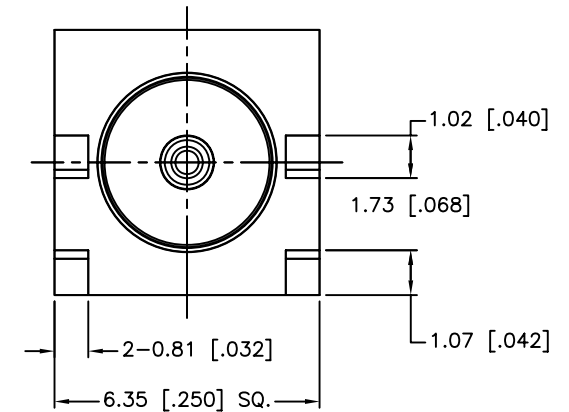
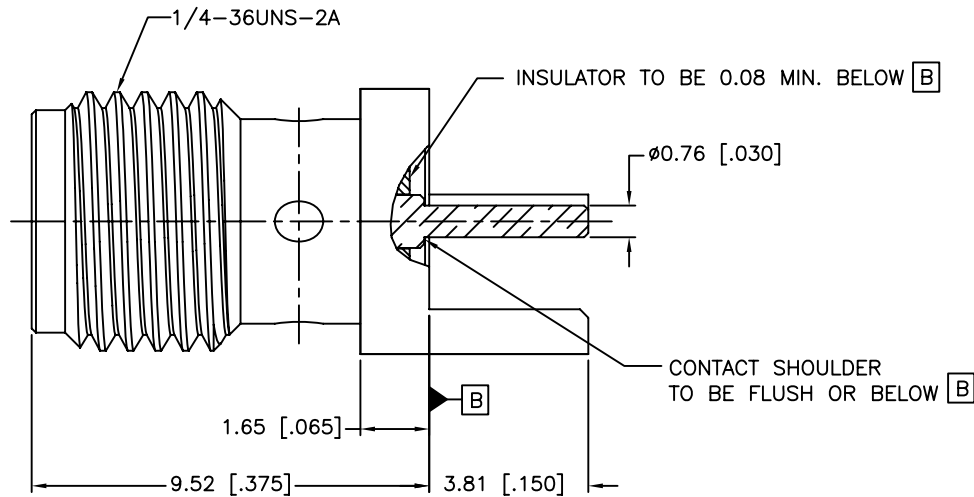
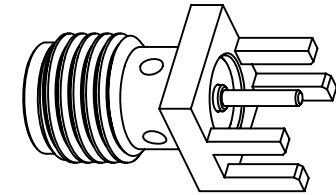


TOP VIEW



RECOMMENDED PCB LAYOUT

BOTTOM VIEW



1. IMPEDANCE: 50 OHM
2. FREQUENCY RANGE: DC-18 GHZ
3. VSWR: 1.3 MAX.
4. DIELECTRIC WITHSTANDING VOLTAGE: 1500 VRMS, MIN.
5. DURABILITY: 500 CYCLES MIN.
6. BOARD THICKNESS=1.57 MM [.062"]
7. CONTACT PIN MUST WITHSTAND 6 LBS MIN. AXIAL IN BOTH DIRECTIONS AND 4 IN-OZ MIN. RADIAL FORCE.

UNLESS OTHERWISE SPECIFIED DIMENSIONS ARE IN MILLIMETERS. DIMENSIONS IN [] ARE IN INCHES AND FOR CUSTOMER REFERENCE ONLY.

UNLESS OTHERWISE SPECIFIED TOLERANCES FOR MILLIMETERS ARE:
0.5 - 8mm ± 0.20mm
8 - 30mm ± 0.40mm
30 - 120mm ± 0.50mm

UNLESS OTHERWISE SPECIFIED TOLERANCES FOR INCHES ARE:
.020 - .315 = ± 0.007"
.315 - 1.180 = ± 0.015"
1.180 - 4.724 = ± 0.020"

DO NOT SCALE DRAWING

APPROVALS		DATE
DRAWN	M.ZHANG	11/30/11
CHECKED		
ISSUED		
SHEET	1 OF 1	
CAD FILE	C:/CONNEX/132322.DWG	

Amphenol Connex

PART DESCRIPTION
**SMA END LAUNCH RECEPT. JACK
.250" SQUARE FLANGE (.062" BOARD THICKNESS)**

PART NO.
132322

DWG. NO. 132322.DWG REV. D SIZE A SCALE NA

QTY	FINISH	MATERIAL	DESCRIPTION
1	GOLD	BER. COPPER	CONTACT PIN
1	NATURAL	PTFE	INSULATOR
1	GOLD	BRASS	BODY