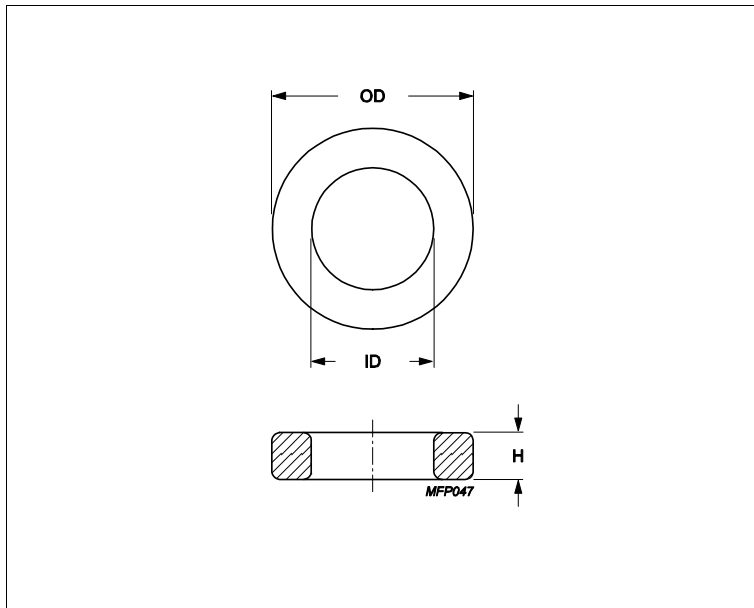


Core **Toroid 14/9/5**



Effective parameters			
	Parameter	Value	Unit
$\Sigma(I/A)$	core factor (C1)	2.84	mm ⁻¹
Ve	effective volume	430	mm ³
Le	effective length	35	mm
Ae	effective area	12.3	mm ²
m	mass of core	≈ 2.1	g/pcs

Epoxy coating DC isolation voltage 1500.

Maximum operating temperature of the coating is 200°C.

Dimensions (mm)

Cores	OD	ID	H	
TX14/9/5	14.65 max	8.4 min	5.55 max	Epoxy Coated

Core data

Cores	Material	AI (nH/turns ²)	AI tolerance	$\mu\epsilon$
TX14/9/5	3C94	1020	± 25%	≈ 2300
TX14/9/5	3E10	4420	± 20%	≈ 10000
TX14/9/5	3E12	5310	± 30%	≈ 12000
TX14/9/5	3E27	2430	± 25%	≈ 5500
TX14/9/5	3E6 (3E10-M)	4420	± 30%	≈ 10000
TX14/9/5	3E65	2300	± 25%	≈ 5200